



US00D827948S

(12) **United States Design Patent**  
**Miyawaki et al.**

(10) **Patent No.:** **US D827,948 S**

(45) **Date of Patent:** **\*\* Sep. 4, 2018**

(54) **FUTON DRYER**

(71) Applicant: **IRIS OHYAMA INC.**, Sendai-shi,  
Miyagi (JP)

(72) Inventors: **Masayuki Miyawaki**, Kakuda (JP);  
**Takahide Sato**, Kakuda (JP)

(73) Assignee: **IRIS OHYAMA INC.**, Sendai-shi (JP)

(\*\*) Term: **15 Years**

(21) Appl. No.: **29/615,662**

(22) Filed: **Aug. 30, 2017**

(30) **Foreign Application Priority Data**

Mar. 7, 2017 (JP) ..... 2017-004624

(51) **LOC (11) CL.** ..... **15-05**

(52) **U.S. CL.**  
USPC ..... **D32/1**

(58) **Field of Classification Search**  
USPC ..... D32/1, 15, 6, 8; D28/12; D23/383;  
D10/106.1; D15/144, 199  
CPC ..... A43D 3/1491; F26B 9/006; F26B 21/001;  
D06F 59/06; D06F 58/14  
See application file for complete search history.

(56) **References Cited**

**U.S. PATENT DOCUMENTS**

D282,396	S	*	1/1986	Weaver	.....	D23/383
D292,630	S	*	11/1987	Nagai	.....	D32/8
D294,741	S	*	3/1988	Froidevaux	.....	D28/12
D304,096	S	*	10/1989	Nithardt	.....	D28/12
D305,464	S	*	1/1990	Rickard	.....	D28/12
D312,892	S	*	12/1990	Eberts	.....	D28/12
D314,839	S	*	2/1991	Ho	.....	D28/12
D317,514	S	*	6/1991	Sasso	.....	D28/12
D332,154	S	*	12/1992	Wang	.....	D28/12
5,174,048	A	*	12/1992	Shero	.....	F26B 21/001 34/444
D340,326	S	*	10/1993	Genovese	.....	D32/15

D343,473	S	*	1/1994	de Vasselot	.....	D28/12
5,282,322	A	*	2/1994	Kasuya	.....	F26B 9/006 126/624
D345,818	S	*	4/1994	Froidevaux	.....	D28/12
D347,708	S	*	6/1994	Wang	.....	D28/12

(Continued)

**FOREIGN PATENT DOCUMENTS**

JP 1540072 S 12/2015

**OTHER PUBLICATIONS**

An Office Action; "Notice of Allowance", issued by the Japanese Patent Office dated Dec. 6, 2017, which corresponds to Japanese Design Application No. 2017-004624; with English language Concise Explanation.

(Continued)

*Primary Examiner* — Michelle E. Wilson  
(74) *Attorney, Agent, or Firm* — Studebaker & Brackett PC

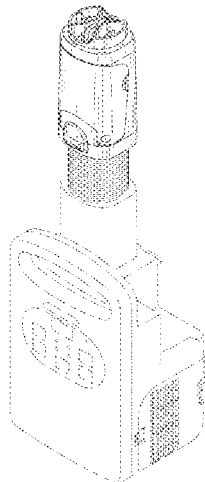
(57) **CLAIM**

The ornamental design for a futon dryer, as shown and described.

**DESCRIPTION**

FIG. 1 is a front, top and right-side perspective view of a futon dryer showing our new design;  
FIG. 2 is a front view thereof;  
FIG. 3 is a rear view thereof;  
FIG. 4 is a top view thereof;  
FIG. 5 is a bottom view thereof;  
FIG. 6 is a right-side view thereof;  
FIG. 7 is a left-side view thereof; and,  
FIG. 8 is a rear, top and right-side perspective view thereof in a hose-bent mode.  
The broken lines shown represent unclaimed subject matter of the futon dryer and form no part of the claimed design.

**1 Claim, 7 Drawing Sheets**



(56)

**References Cited**

## U.S. PATENT DOCUMENTS

D353,018 S \* 11/1994 Froidevaux ..... D28/12  
D359,823 S \* 6/1995 Buchness ..... D32/15  
D360,500 S \* 7/1995 Millet ..... D32/5  
D360,716 S \* 7/1995 Ertz ..... D32/8  
5,514,346 A \* 5/1996 Fujita ..... A43D 3/1491  
239/54  
5,713,137 A \* 2/1998 Fujita ..... D06F 58/14  
34/106  
6,134,806 A \* 10/2000 Dhaemers ..... A43D 3/1491  
34/202  
D575,464 S \* 8/2008 Rossetto ..... D32/8  
D583,041 S \* 12/2008 Stern ..... D23/383  
7,716,849 B1 \* 5/2010 Hicks ..... D06F 59/06  
211/182  
D661,852 S \* 6/2012 Song ..... D32/8  
D701,659 S \* 3/2014 Choi ..... D32/8  
D703,887 S \* 4/2014 Lee ..... D32/8  
D733,981 S \* 7/2015 Sechere ..... D32/8  
D761,950 S \* 7/2016 Kulp ..... D23/383

## OTHER PUBLICATIONS

MONO Magazine No. 9, vol. 43; Apr. 16, 2016; p. 181; (Japan Patent Office Design Patent Department, publicly known reference No. HA27002052).

Iris Ohyama Inc.; publications on website (Japan Patent Office Design Patent Department, publicly known reference No. HJ26063321).

\* cited by examiner

FIG. 1

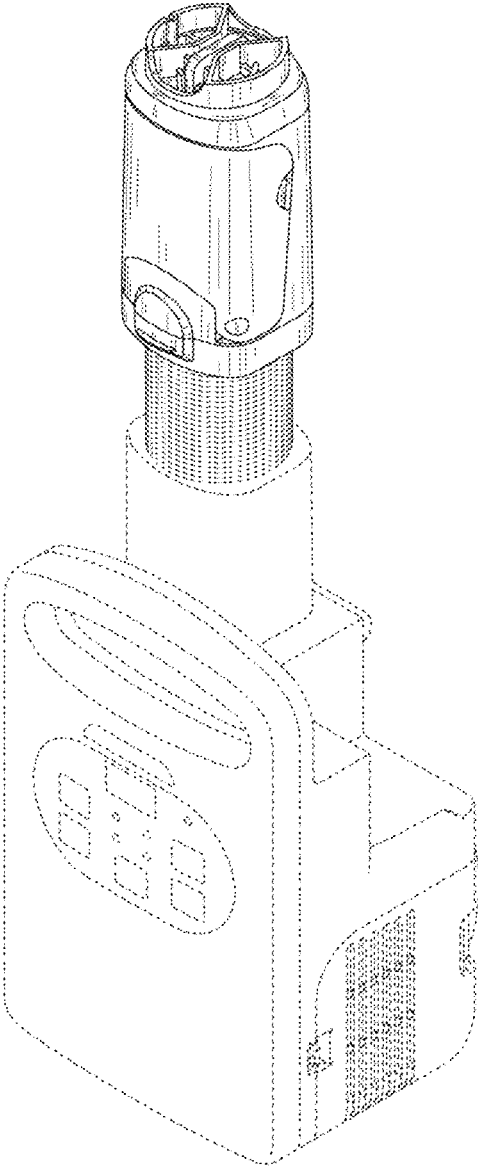


FIG. 2

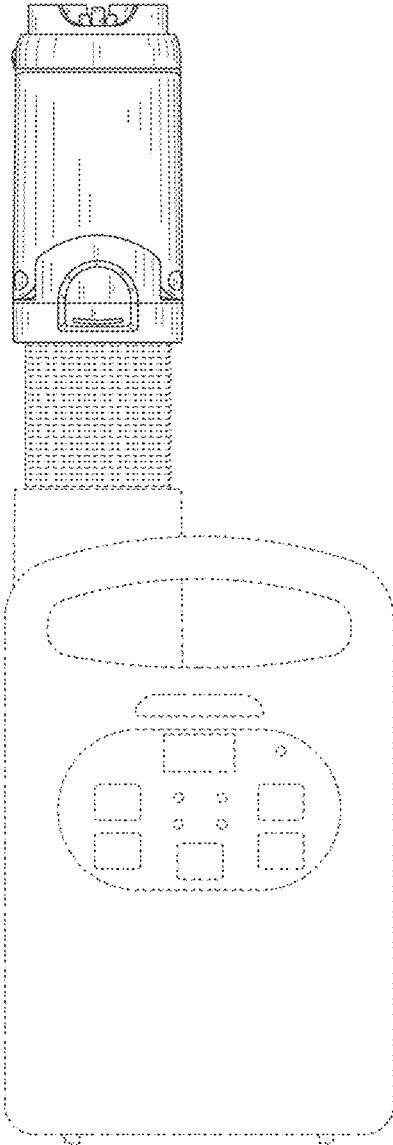


FIG. 3

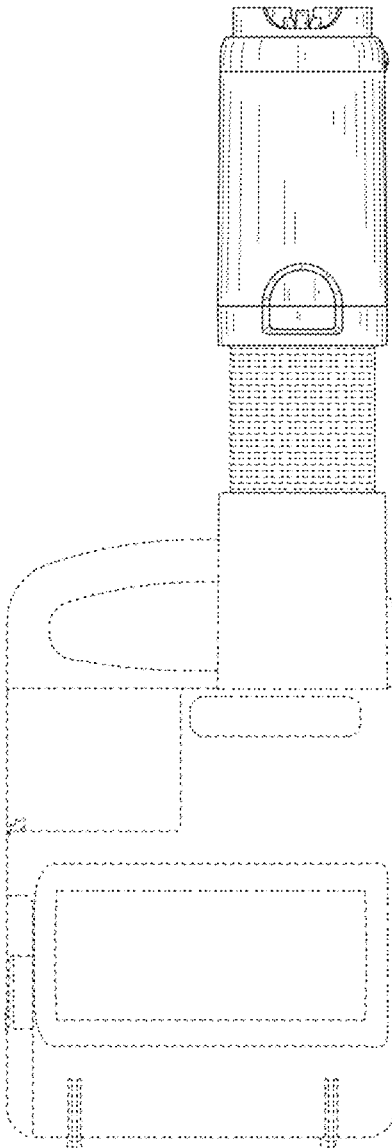


FIG. 4

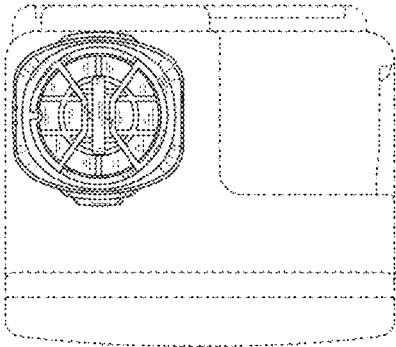


FIG. 5

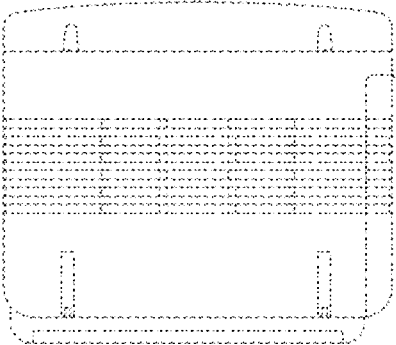


FIG. 6

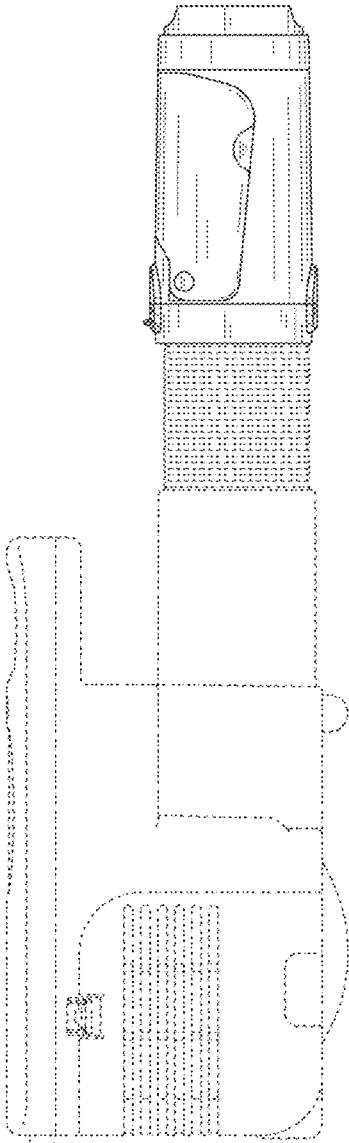


FIG. 7

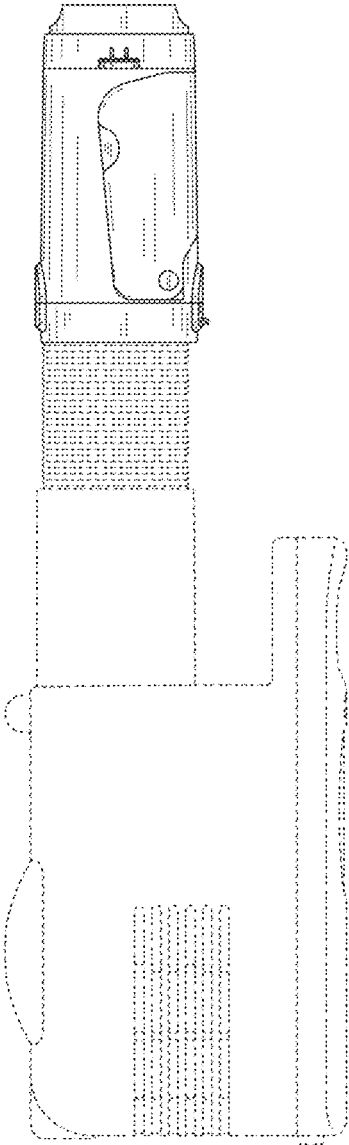




FIG. 8

