



US00D524306S

(12) **United States Design Patent**  
**Yun et al.**

(10) **Patent No.:** **US D524,306 S**

(45) **Date of Patent:** **\*\* Jul. 4, 2006**

(54) **NOTEBOOK COMPUTER**

(75) Inventors: **Yeo-Wan Yun**, Seoul (KR); **Yun-Dong Lee**, Seoul (KR)

(73) Assignee: **Samsung Electronics Co., Ltd.**, Kyunggi-do (KR)

(\*\*) Term: **14 Years**

(21) Appl. No.: **29/235,000**

(22) Filed: **Jul. 26, 2005**

(51) **LOC (8) Cl.** ..... **14-02**

(52) **U.S. Cl.** ..... **D14/315**

(58) **Field of Classification Search** ..... D14/315-328;  
D18/1, 2, 7, 11; 235/145 A, 145 R; 341/22,  
341/23; 345/104, 156, 168, 169, 173; 361/680-686,  
361/690-696; 400/486, 489

See application file for complete search history.

(56) **References Cited**

**U.S. PATENT DOCUMENTS**

D335,870 S	5/1993	Yun	
D336,465 S	6/1993	Kim	
D338,457 S	8/1993	Kim	
D348,442 S	7/1994	Yoon	
6,067,224 A	* 5/2000	Nobuchi	361/683
D466,498 S	* 12/2002	Wang	D14/318
D476,326 S	* 6/2003	Tanimura	D14/318
D492,678 S	7/2004	Kim et al.	

**OTHER PUBLICATIONS**

U.S. Appl. No. 29/231,249, Applicant: Seung-Hyun Park, et al., filed Jun. 2, 2005 entitled Notebook Computer.

U.S. Appl. No. 29/236,251, Applicant: Seung-Wook Jeong, et al., filed Aug. 12, 2005 entitled Notebook Computer.

U.S. Appl. No. 29/236,252, Applicant: Eun-Young Kim, et al., filed Aug. 12, 2005 entitled Notebook Computer.

U.S. Appl. No. 29/236,253, Applicant: Sang-Won Yoon, filed Aug. 12, 2005 entitled Notebook Computer.

U.S. Appl. No. 29/236,254, Applicant: Tae-Woo Kim, et al., filed Aug. 12, 2005 entitled Notebook Computer.

\* cited by examiner

*Primary Examiner*—Freda S. Nunn

(74) *Attorney, Agent, or Firm*—Fynn, Thiel, Boutell & Tanis, P.C.

(57)

**CLAIM**

The ornamental design for a notebook computer, as shown and described.

**DESCRIPTION**

FIG. 1. is a top front perspective view of a notebook computer showing our new design.

FIG. 2. is a front elevational view thereof.

FIG. 3. is a rear elevational view thereof.

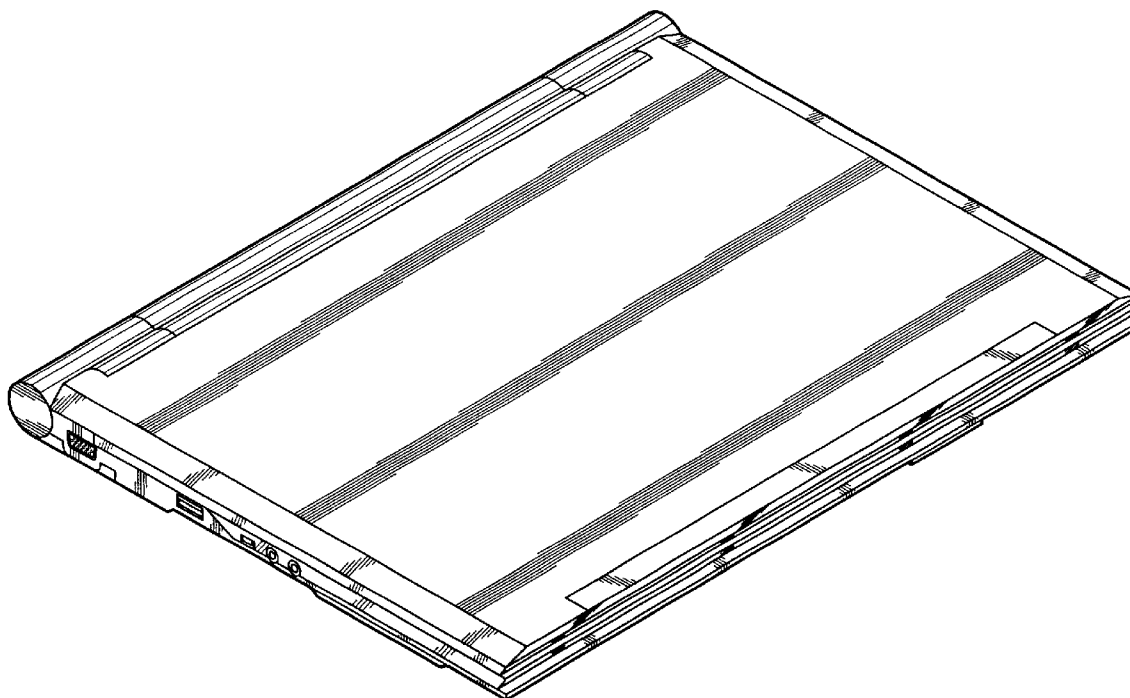
FIG. 4. is a left side elevational view thereof.

FIG. 5. is a right side elevational view thereof.

FIG. 6. is a top plan view thereof; and,

FIG. 7. is a bottom plan view thereof.

**1 Claim, 4 Drawing Sheets**



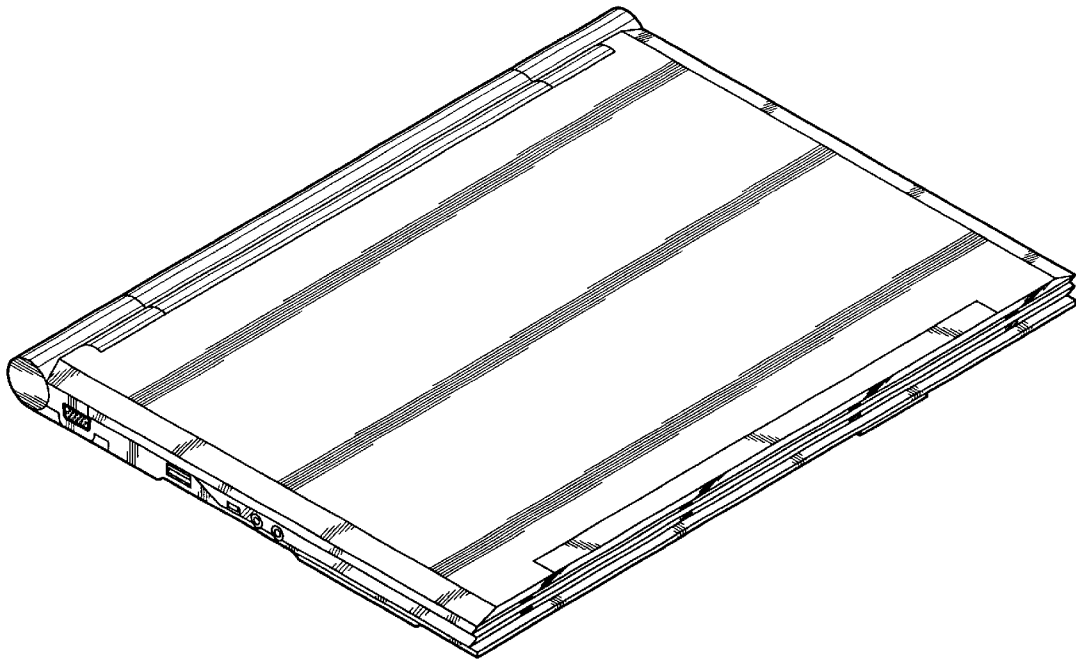


FIG. 1



FIG. 2



FIG. 3



FIG. 4

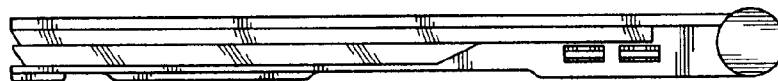


FIG. 5

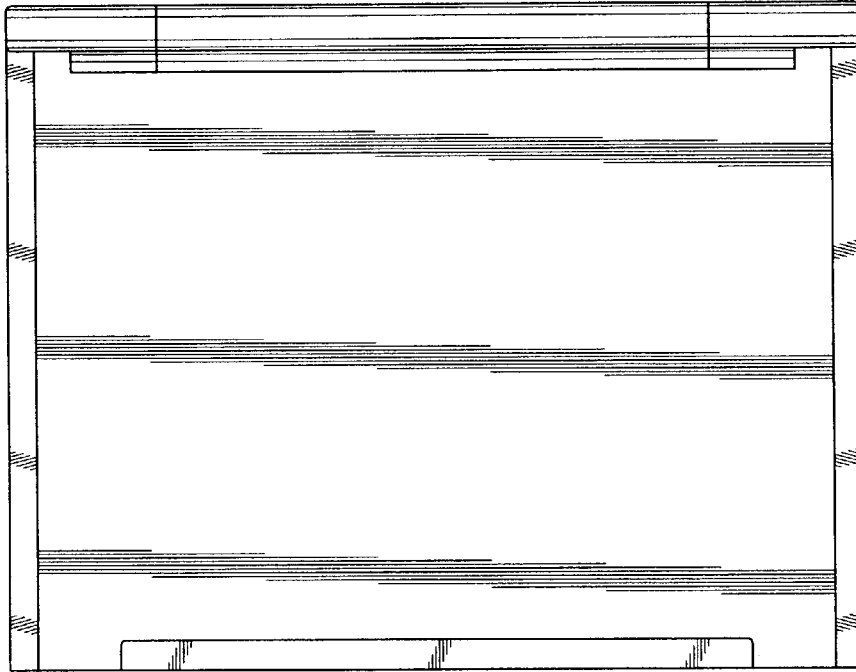


FIG. 6

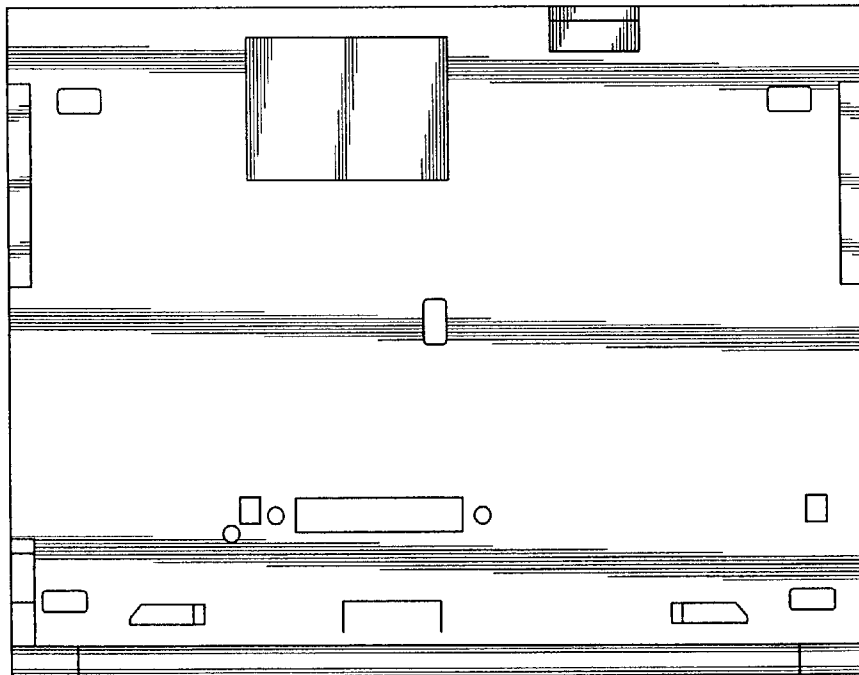


FIG. 7