

(19) World Intellectual Property Organization
International Bureau



(43) International Publication Date
5 January 2012 (05.01.2012)

(10) International Publication Number
WO 2012/003288 A3

- (51) **International Patent Classification:**
H04L 29/06 (2006.01) *H04L 12/56* (2006.01)
- (21) **International Application Number:**
PCT/US201 1/042548
- (22) **International Filing Date:**
30 June 201 1 (30.06.201 1)
- (25) **Filing Language:** English
- (26) **Publication Language:** English
- (30) **Priority Data:**
12/827,956 30 June 2010 (30.06.2010) US
- (71) **Applicant (for all designated States except US):** INTEL CORPORATION [US/US]; 2200 Mission College Boulevard, Santa Clara, California 95052 (US).
- (72) **Inventors; and**
- (75) **Inventors/Applicants (for US only):** NAOURI, Ygdal [IL/IL]; David Elroyi 5 A, Appt 7, 92108 Jerusalem (IL). LOUZOUN, Eliel [IL/IL]; Aliat Hanoar 32/5, Ramot B, 97234 Jerusalem (IL).
- (74) **Agents:** GAGNE, Christopher, K. et al; c/o CPA GLOBAL, P.O. Box 52050, Minneapolis, MN 55402 (US).

(81) **Designated States** (unless otherwise indicated, for every kind of national protection available): AE, AG, AL, AM, AO, AT, AU, AZ, BA, BB, BG, BH, BR, BW, BY, BZ, CA, CH, CL, CN, CO, CR, CU, CZ, DE, DK, DM, DO, DZ, EC, EE, EG, ES, FI, GB, GD, GE, GH, GM, GT, HN, HR, HU, ID, IL, IN, IS, JP, KE, KG, KM, KN, KP, KR, KZ, LA, LC, LK, LR, LS, LT, LU, LY, MA, MD, ME, MG, MK, MN, MW, MX, MY, MZ, NA, NG, NI, NO, NZ, OM, PE, PG, PH, PL, PT, RO, RS, RU, SC, SD, SE, SG, SK, SL, SM, ST, SV, SY, TH, TJ, TM, TN, TR, TT, TZ, UA, UG, US, UZ, VC, VN, ZA, ZM, ZW.

(84) **Designated States** (unless otherwise indicated, for every kind of regional protection available): ARIPO (BW, GH, GM, KE, LR, LS, MW, MZ, NA, SD, SL, SZ, TZ, UG, ZM, ZW), Eurasian (AM, AZ, BY, KG, KZ, MD, RU, TJ, TM), European (AL, AT, BE, BG, CH, CY, CZ, DE, DK, EE, ES, FI, FR, GB, GR, HR, HU, IE, IS, IT, LT, LU, LV, MC, MK, MT, NL, NO, PL, PT, RO, RS, SE, SI, SK, SM, TR), OAPI (BF, BJ, CF, CG, CI, CM, GA, GN, GQ, GW, ML, MR, NE, SN, TD, TG).

Published:

- with international search report (Art. 21(3))
- before the expiration of the time limit for amending the claims and to be republished in the event of receipt of amendments (Rule 48.2(h))

[Continued on next page]

(54) **Title:** INTERRUPTION, AT LEAST IN PART, OF FRAME TRANSMISSION

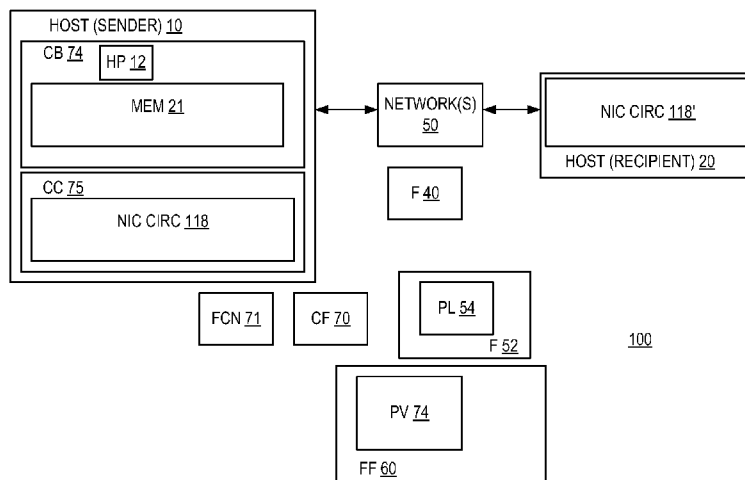


FIG. 1

(57) **Abstract:** An embodiment may include circuitry to permit interruption, at least in part, of a first frame from a sender to an intended recipient in favor of transmitting, at least in part, a payload of a second frame from the sender to the intended recipient, and/or processing, at least in part, one or more incoming flow control notifications. The payload may be transmitted, at least in part, to the intended recipient in one or more frame fragments. Many modifications, variations, and alternatives are possible without departing from this embodiment.

W^o 2012/003288 A3

(88) Date of publication of the international search report:
12 April 2012

INTERNATIONAL SEARCH REPORT

International application No.
PCT/US2011/042548**A. CLASSIFICATION OF SUBJECT MATTER****H04L 29/06(2006.01)i, H04L 12/56(2006.01)1**

According to International Patent Classification (IPC) or to both national classification and IPC

B. FIELDS SEARCHED

Minimum documentation searched (classification system followed by classification symbols)

H04L 29/06; H04J 3/14; H04L 12/26; G06F 13/20; H04L 12/56; G01R 31/08

Documentation searched other than minimum documentation to the extent that such documents are included in the fields searched

Korean utility models and applications for utility models

Japanese utility models and applications for utility models

Electronic data base consulted during the international search (name of data base and, where practicable, search terms used)

eKOMPASS(KIPO internal) & Keywords: flow control, packet, frame, interrupt, latency, priority, ingress, node, buffer, and similar terms.

C. DOCUMENTS CONSIDERED TO BE RELEVANT

| Category * | Citation of document, with indication, where appropriate, of the relevant passages | Relevant to claim No. |
|------------|---|---|
| X A | US 2008-0080370 Al (W. D. WILLEY) 03 April 2008 See abstract ; figures 1, 4; paragraphs [48]-[50] , [54] ; claims 1-4 . | 1,4-6 ,8,11-13 ,15 ,18-20 2,3,7,9,10,14,16 ,17,21,22 |
| A | US 2004-0085902 Al (PIERRE MILLER et al.) 06 May 2004 See abstract ; figures 1, 6, 7, 11; paragraphs [16]-[19] , [49] . | 1-22 |
| A | US 2010-0027423 Al (E. M BAUMAN et al.) 04 February 2010 See abstract ; figures 1, 2; paragraphs [6]-[7] , [15] ; claim 1. | 1-22 |
| A | US 2008-0028113 Al (HONGSHI GUO et al.) 31 January 2008 See abstract ; figures 1, 5, 6; paragraphs [10]-[12] . | 1-22 |

 Further documents are listed in the continuation of Box C. See patent family annex.

* Special categories of cited documents:

"A" document defining the general state of the art which is not considered to be of particular relevance

"E" earlier application or patent but published on or after the international filing date

"L" document which may throw doubts on priority claim(s) or which is cited to establish the publication date of citation or other special reason (as specified)

"O" document referring to an oral disclosure, use, exhibition or other means

"P" document published prior to the international filing date but later than the priority date claimed

"T" later document published after the international filing date or priority date and not in conflict with the application but cited to understand the principle or theory underlying the invention

"X" document of particular relevance; the claimed invention cannot be considered novel or cannot be considered to involve an inventive step when the document is taken alone

"Y" document of particular relevance; the claimed invention cannot be considered to involve an inventive step when the document is combined with one or more other such documents, such combination being obvious to a person skilled in the art

"&" document member of the same patent family

Date of the actual completion of the international search

15 FEBRUARY 2012 (15.02.2012)

Date of mailing of the international search report

17 FEBRUARY 2012 (17.02.2012)

Name and mailing address of the ISA/KR

Korean Intellectual Property Office
Government Complex-Daejeon, 189 Cheongsu-ro,
Seo-gu, Daejeon 302-701, Republic of Korea

Facsimile No. 82-42-472-7140

Authorized officer

Kim Sun Jong

Telephone No. 82-42-481-8260



INTERNATIONAL SEARCH REPORT

Information on patent family members

International application No.

PCT/US2011/042548

| Patent document cited in search report | Publication date | Patent family member(s) | Publication date |
|--|------------------|---|--|
| US 2008-0080370 A1 | 03.04.2008 | CA 2662425 A1 Wo 2008-037083 A1 | 03.04.2008 03.04.2008 |
| US 2004-0085902 A1 | 06.05.2004 | AU 2003-30 1904 A1 AU 2003-30 1904 A8 EP 1579630 A2 US 2005-0157648 A1 US 6859437 B2 US 7209445 B2 Wo 2004-043 129 A2 wo 2004-043 129 A3 wo 2004-043 129 A3 | 03.06.2004 03.06.2004 28.09.2005 21.07.2005 22.02.2005 24.04.2007 27.05.2004 08.07.2004 27.05.2004 |
| US 2010-0027423 A1 | 04.02.2010 | CA 2732434 A1 CN 102113276 A EP 2311226 A1 KR 10-2011-0055592 A TW 2010 14295 A US 782 1942 B2 wo 2010-012730 A1 | 04.02.2010 29.06.2011 20.04.2011 25.05.2011 01.04.2010 26.10.2010 04.02.2010 |
| US 2008-0028 113 A1 | 31.01.2008 | CN 10 1449254 A EP 2038755 A2 JP 2009-538483 A JP 2009-538483 T KR 10-2009-0025278 A TW 2008 15994 A wo 2007- 140324 A2 wo 2007- 140324 A3 wo 2007- 140324 A3 | 03.06.2009 25.03.2009 05.11.2009 05.11.2009 10.03.2009 01.04.2008 06.12.2007 31.01.2008 06.12.2007 |