



US00D669604S

(12) **United States Design Patent**
Pan

(10) **Patent No.:** **US D669,604 S**

(45) **Date of Patent:** **** Oct. 23, 2012**

(54) **LED SPOTLIGHT**
(75) Inventor: **Liuyun Pan**, Guangdong Province (CN)
(73) Assignee: **Shenzhen Wanjia Lighting Co., Ltd.**,
Guangdong Province (CN)
(**) Term: **14 Years**
(21) Appl. No.: **29/393,653**

(22) Filed: **Jun. 7, 2011**
(51) **LOC (9) Cl.** **26-04**
(52) **U.S. Cl.** **D26/2**
(58) **Field of Classification Search** D26/1-4;
313/313, 315, 316, 317, 318, 493; 315/52,
315/53, 56, 57, 58
See application file for complete search history.

(56) **References Cited**

U.S. PATENT DOCUMENTS

D532,532 S * 11/2006 Maxik D26/2
D535,038 S * 1/2007 Egawa et al. D26/2
D545,457 S * 6/2007 Chen D26/2

D553,265 S * 10/2007 Maxik D26/2
D584,428 S * 1/2009 Li et al. D26/2
D587,384 S * 2/2009 Wei D26/2
D592,766 S * 5/2009 Zhu et al. D26/2
D601,275 S * 9/2009 Ho et al. D26/2
D607,587 S * 1/2010 Ko D26/2
D629,927 S * 12/2010 Chen et al. D26/2
D644,357 S * 8/2011 Hsu et al. D26/2

* cited by examiner

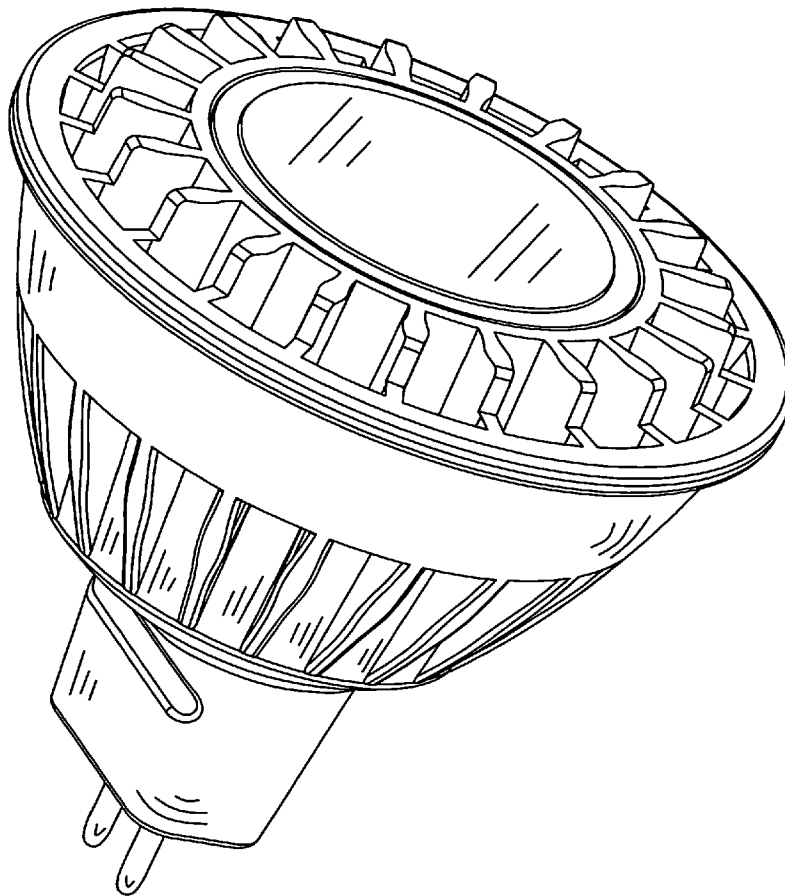
Primary Examiner — Marcus Jackson

(57) **CLAIM**
The ornamental design for LED spotlight, as shown.

DESCRIPTION

FIG. 1 is a front elevational view of an LED spotlight showing my new design;
FIG. 2 is a rear elevational view thereof;
FIG. 3 is a left side view thereof;
FIG. 4 is a right side view thereof;
FIG. 5 is a top plan view thereof;
FIG. 6 is a bottom plan view thereof; and,
FIG. 7 is a perspective view thereof.

1 Claim, 7 Drawing Sheets



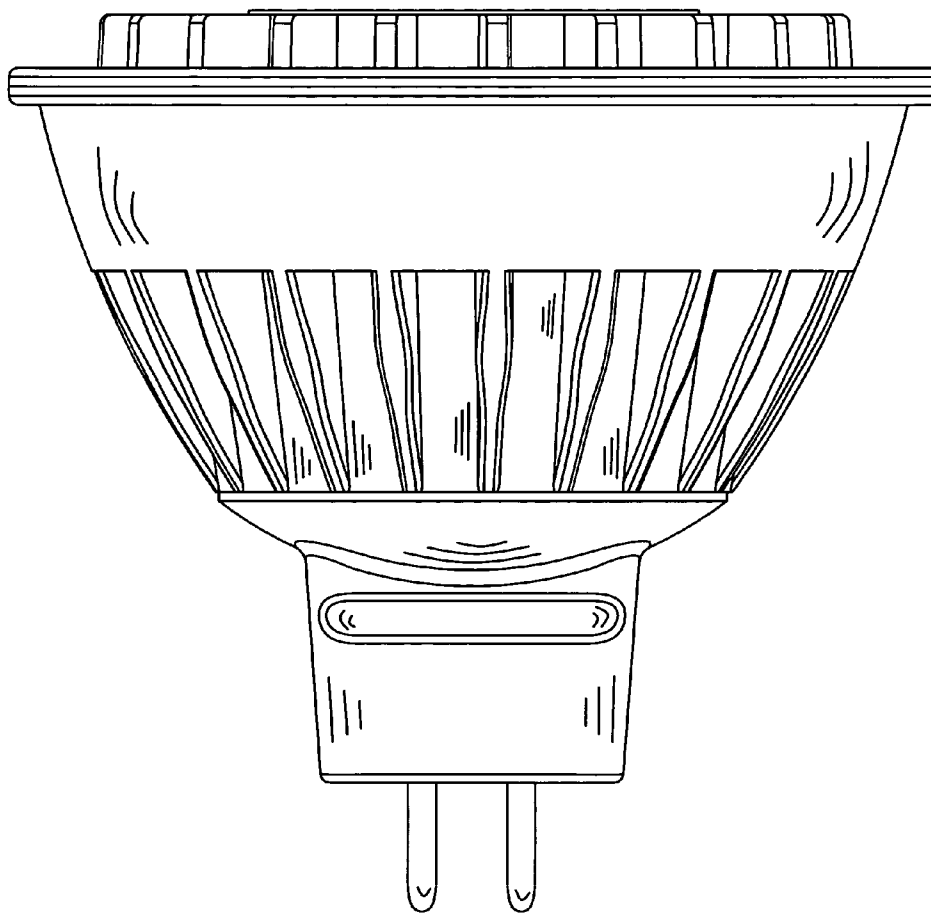


FIG. 1

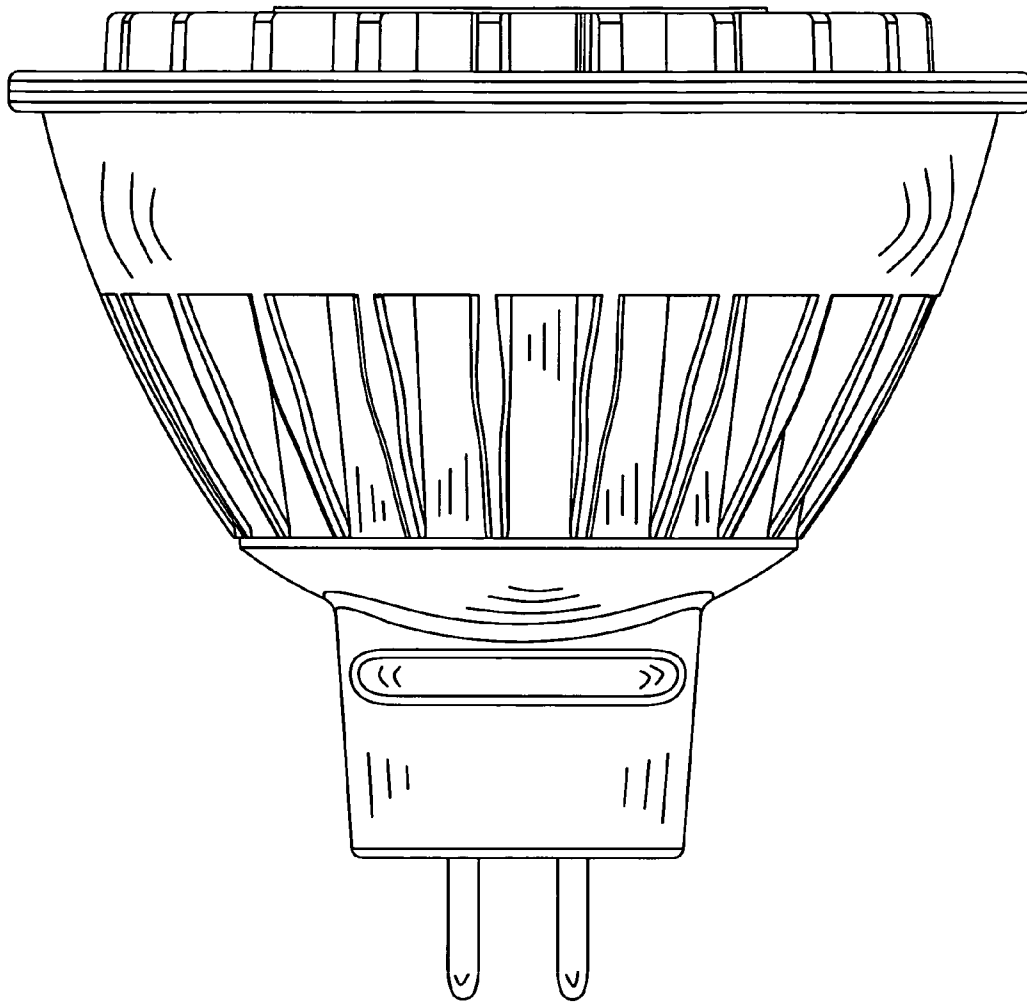


FIG. 2

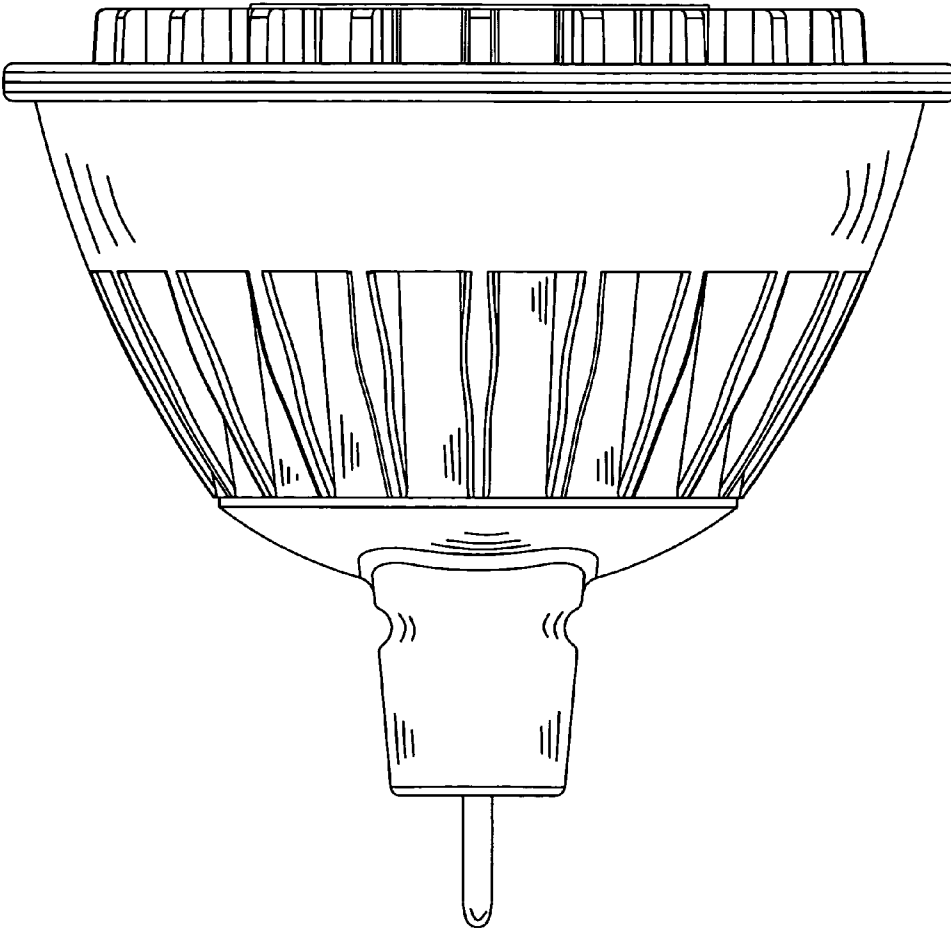


FIG. 3

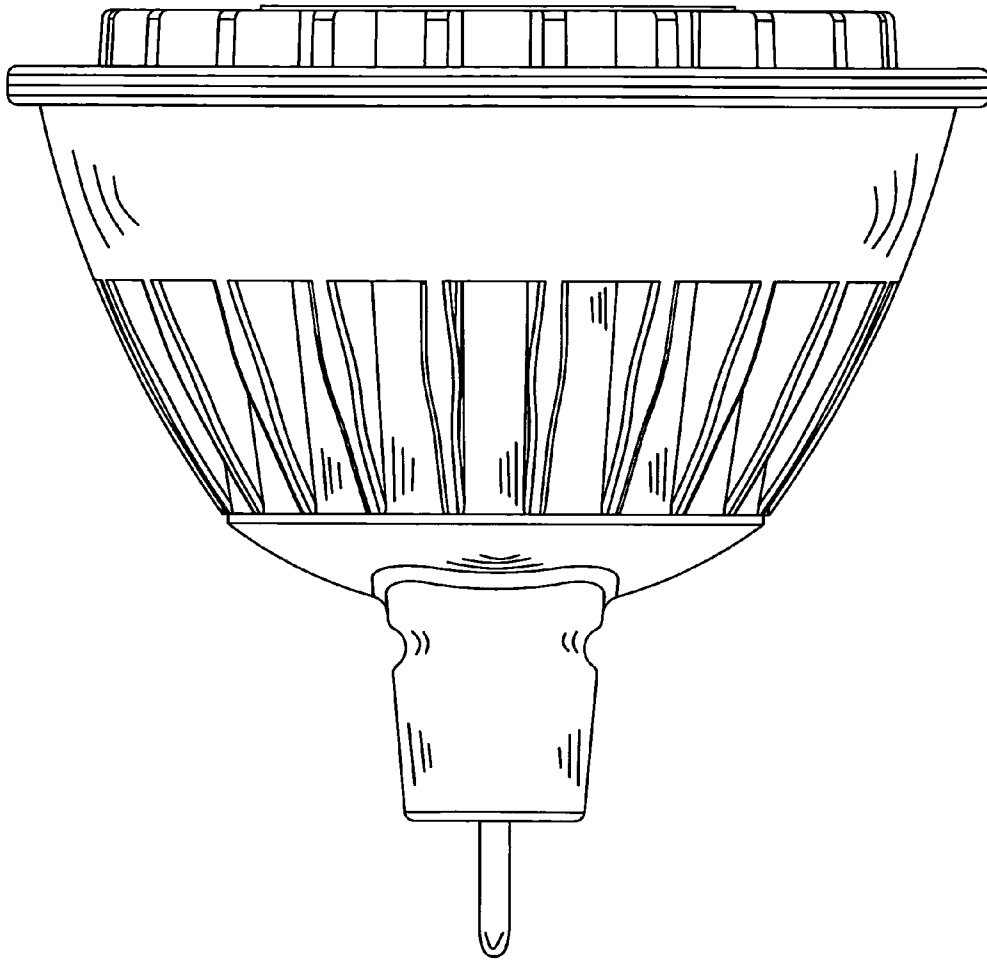


FIG. 4

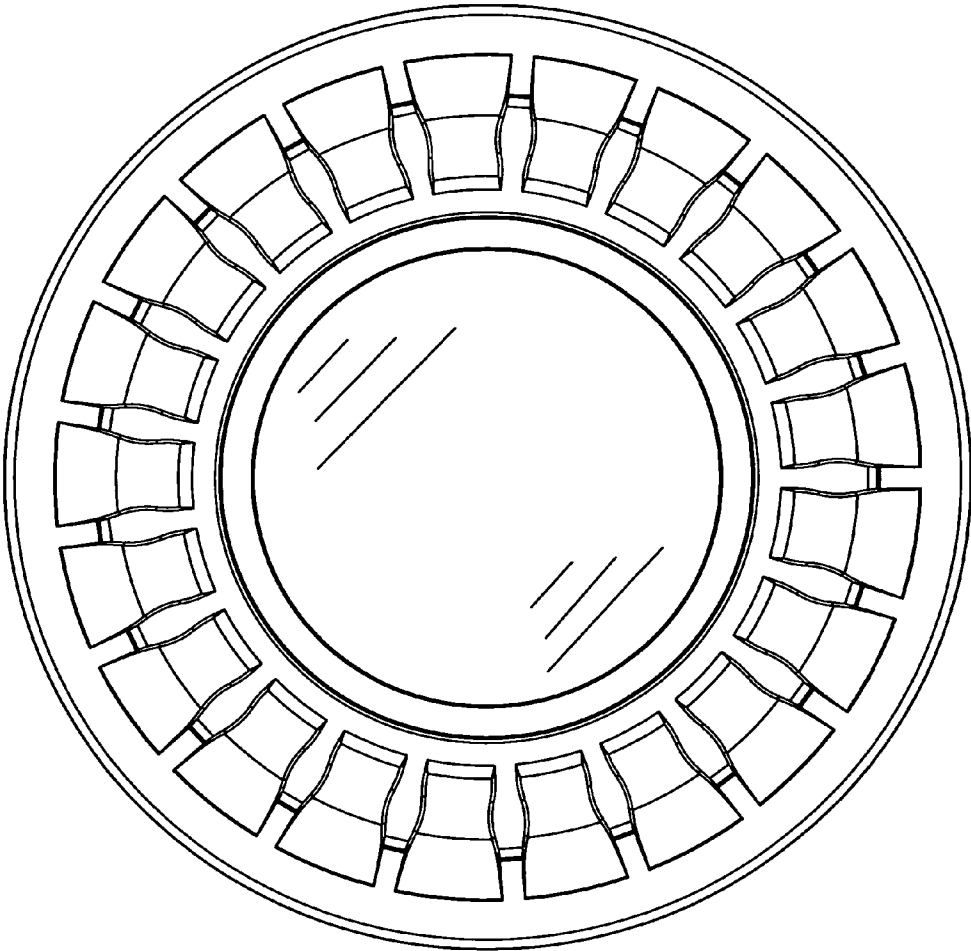


FIG. 5

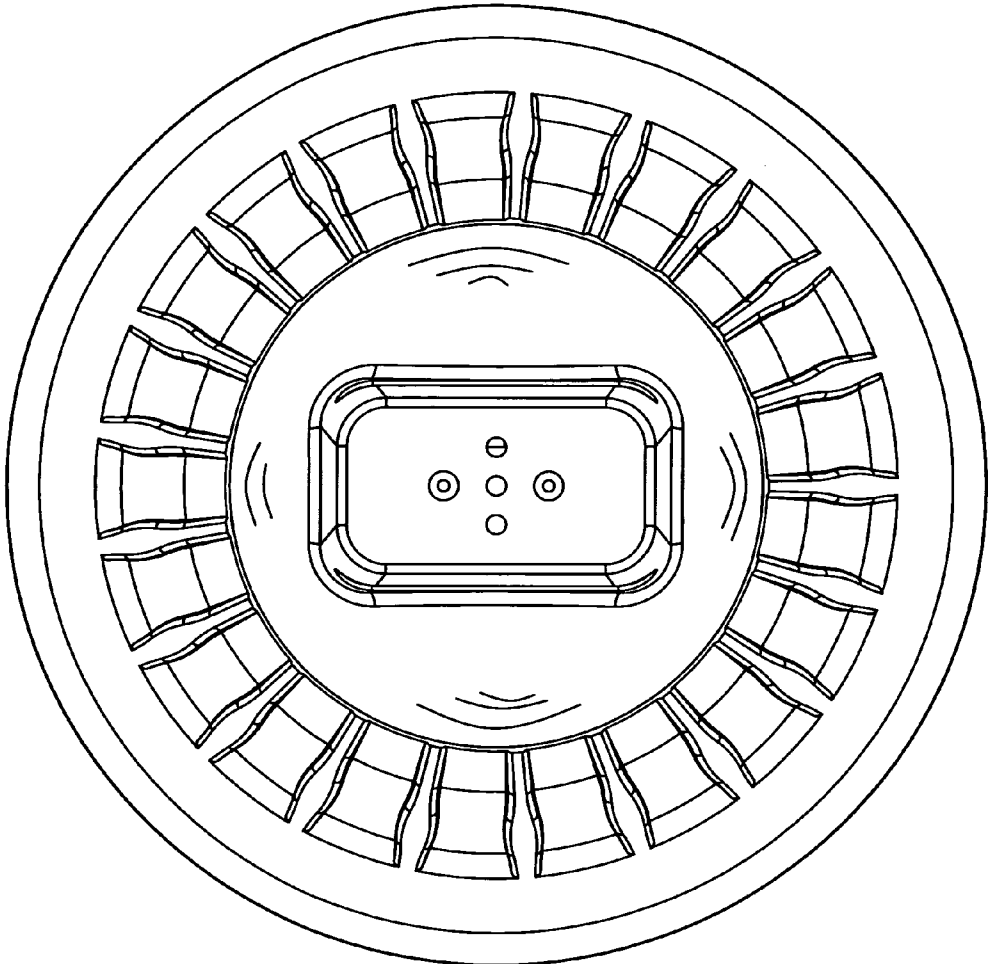


FIG. 6

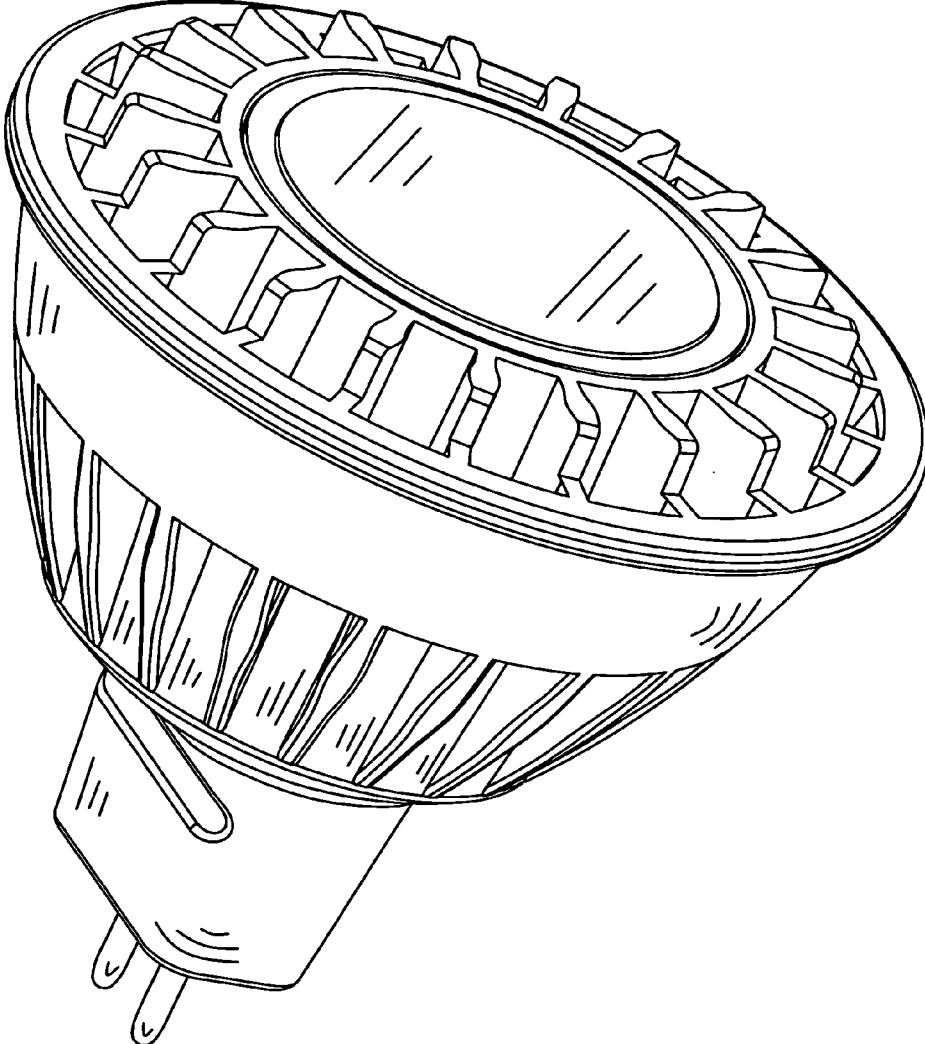


FIG. 7