



US00D440778S

(12) **United States Design Patent**
Wang

(10) **Patent No.:** **US D440,778 S**

(45) **Date of Patent:** **** Apr. 24, 2001**

(54) **SUPPORTING FRAME OF CRADLE**

6,059,667 * 5/2000 Pinch 472/119

(76) **Inventor:** **Tsung-Hsiang Wang**, 4F, No. 3, Lane
35, Sec. 7, Jungshan N. Rd., Taipei
(TW)

* cited by examiner

Primary Examiner—Doris V. Coles

Assistant Examiner—Mimosa De

(74) *Attorney, Agent, or Firm*—Rosenberg, Klein & Lee

(**) **Term:** **14 Years**

(57) **CLAIM**

(21) **Appl. No.:** **29/121,134**

The ornamental design for a “supporting frame of cradle”, as shown and described.

(22) **Filed:** **Apr. 4, 2000**

DESCRIPTION

(51) **LOC (7) Cl.** **06-01**

(52) **U.S. Cl.** **D6/347**

(58) **Field of Search** D6/333, 334, 335,
D6/344, 347, 500–502; 297/250.1, 273,
274, 277; 472/118, 119

FIG. 1 is the perspective view of a “supporting frame of cradle” showing my new design;
FIG. 2 is the front view thereof;
FIG. 3 is the rear view thereof;
FIG. 4 is the left side view thereof;
FIG. 5 is the right side view thereof;
FIG. 6 is the top view thereof;
FIG. 7 is the bottom view thereof; and,
FIG. 8 is the perspective view showing the practical usage thereof.

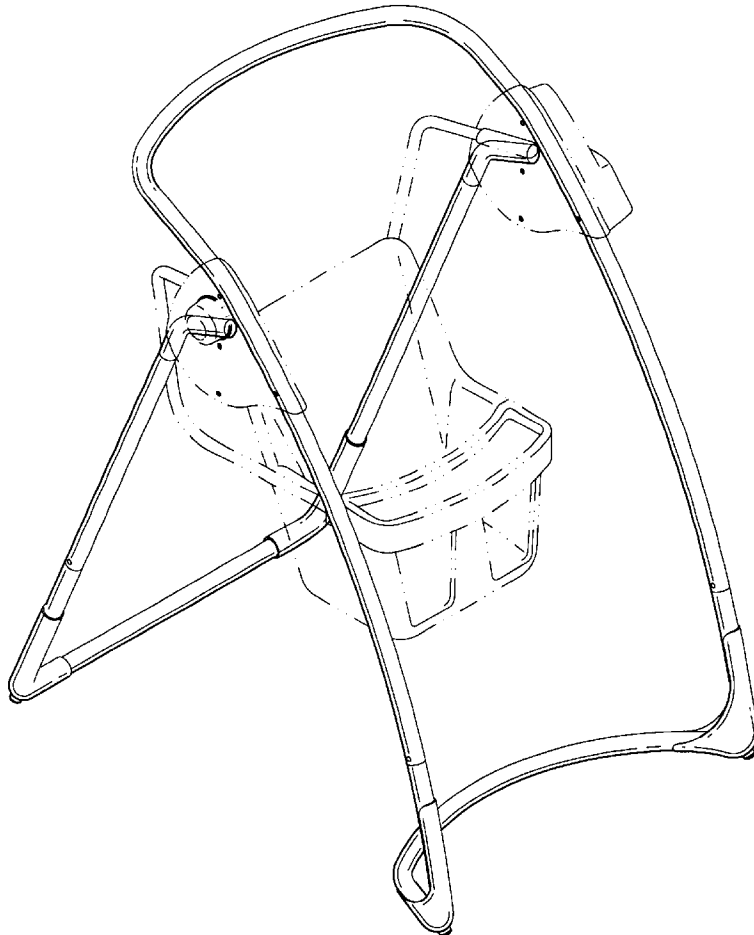
(56) **References Cited**

U.S. PATENT DOCUMENTS

D. 248,518	*	7/1978	Huff	D6/347
D. 351,289	*	10/1994	Stephens et al.	D6/347
4,822,033	*	4/1989	Kohus et al.	297/273
5,525,113	*	6/1996	Mitchell et al.	472/119
5,769,727	*	6/1998	Fair et al.	472/118
6,010,410	*	1/2000	Lauro et al.	472/118

The broken line showing of the cradle in FIG. 8 is for illustrative purposes only and forms no part of the claimed design.

1 Claim, 5 Drawing Sheets



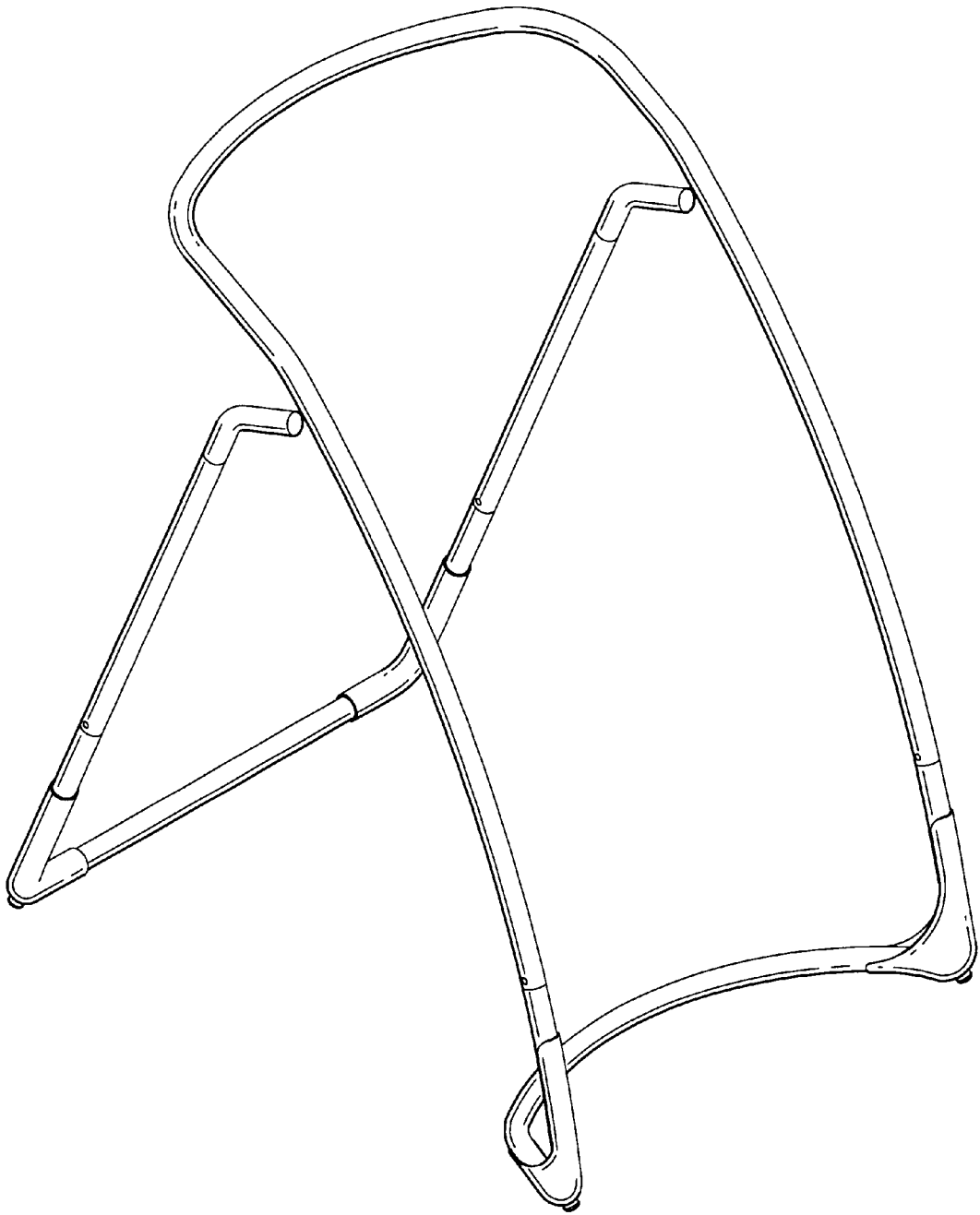


FIG. 1

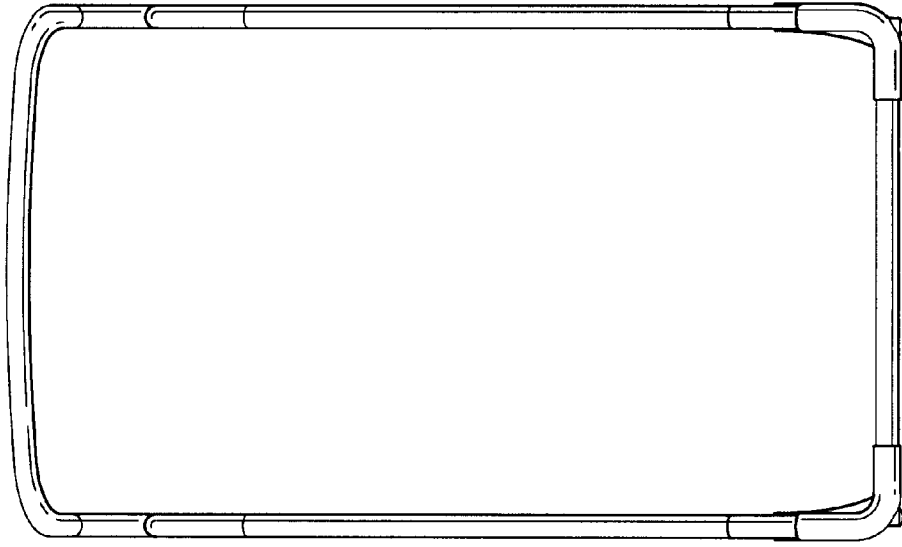


FIG. 3

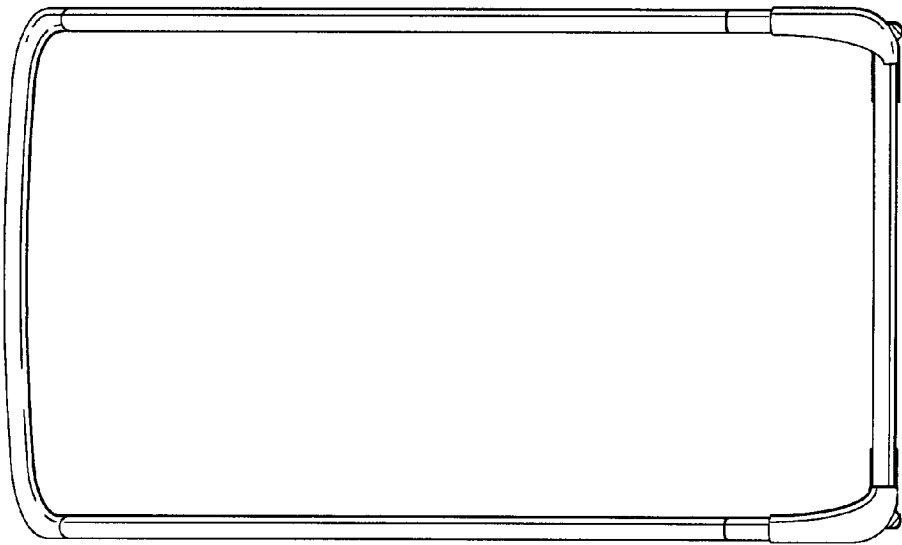


FIG. 2

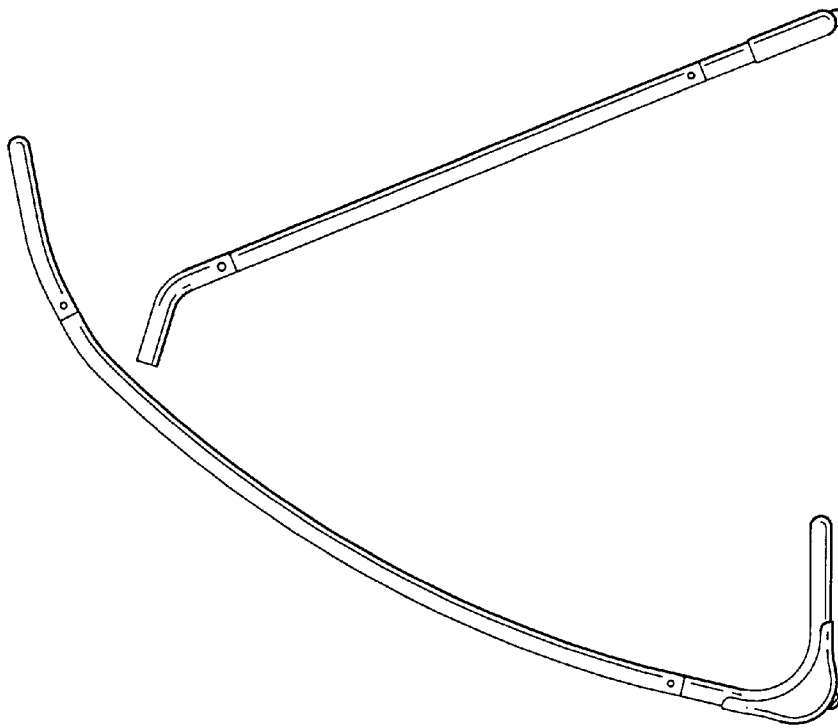


FIG. 5

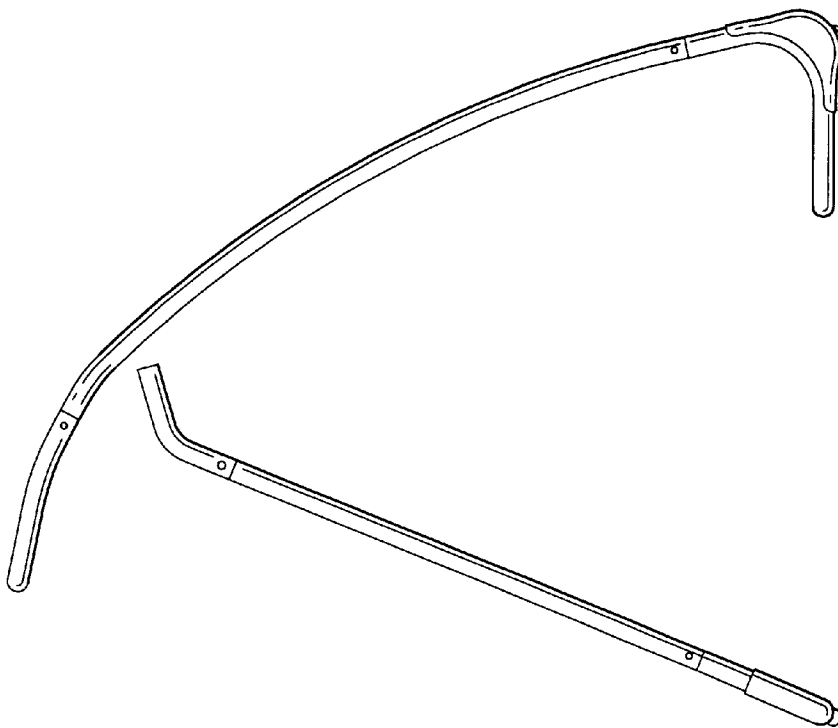


FIG. 4

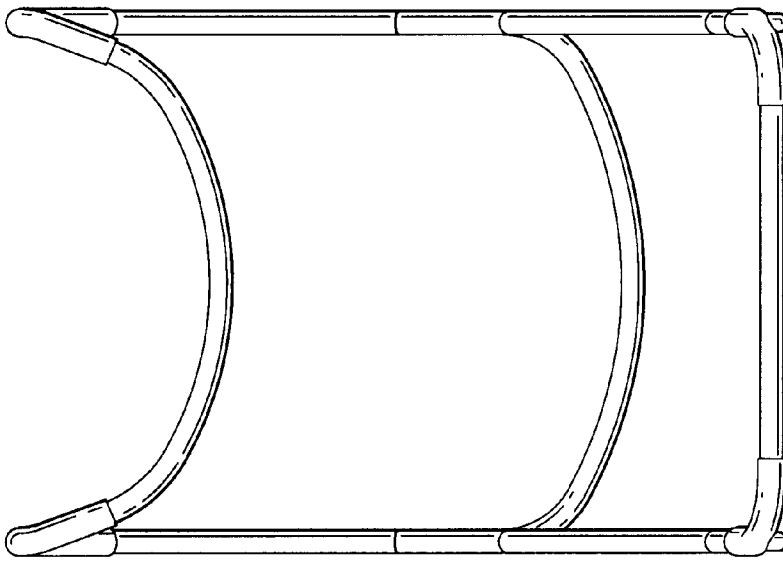


FIG. 7

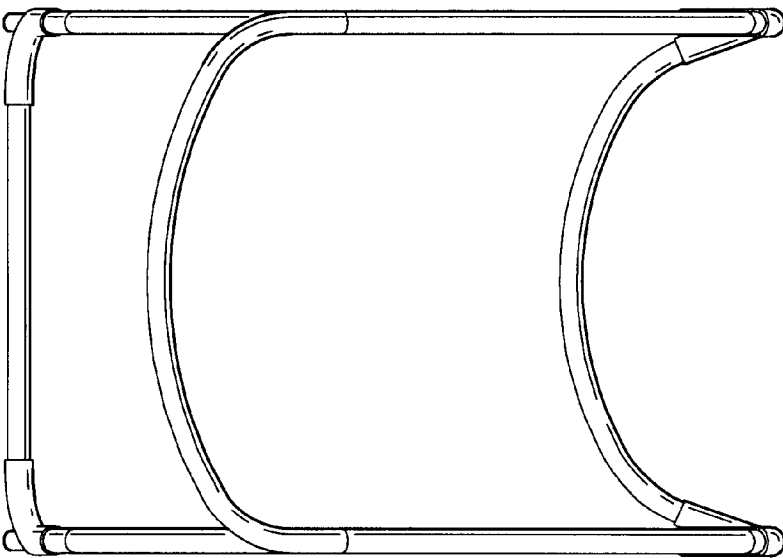


FIG. 6

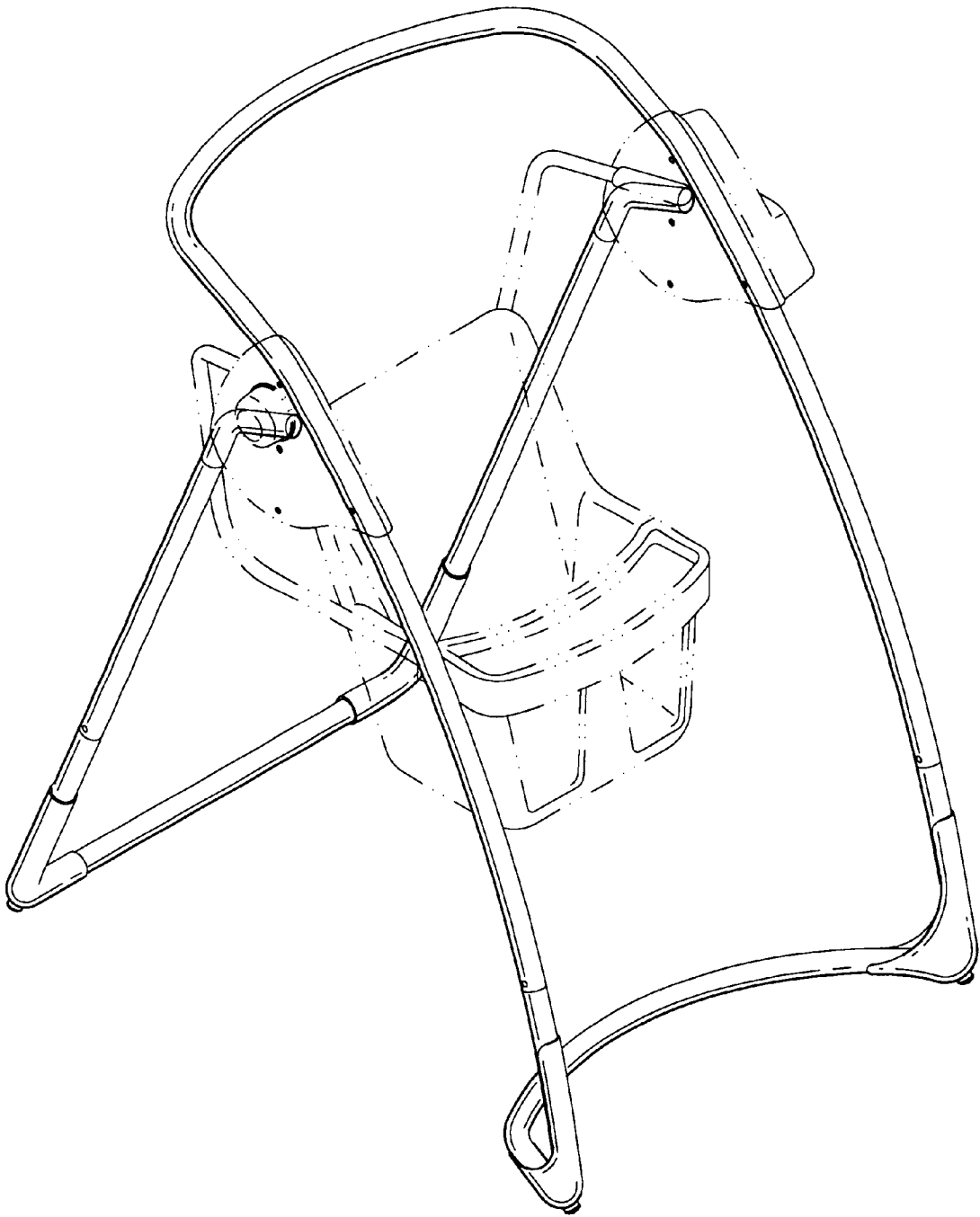


FIG. 8