

Abstract

Motor vehicle door lock

The invention relates to a motor vehicle door lock, having at least one housing (3) and at least one lever (5) mounted rotatably about an axis (4) in the housing (3), wherein the lever (5) can be coupled to an actuating element (6) disposed outside the housing (3) and for this purpose passes through an opening in the housing (7), and the lever (5) has a cover (8) which substantially completely closes the housing opening (7) when viewed over the entire travel path (s) thereof.

10 Fig. 1

Fig. 1

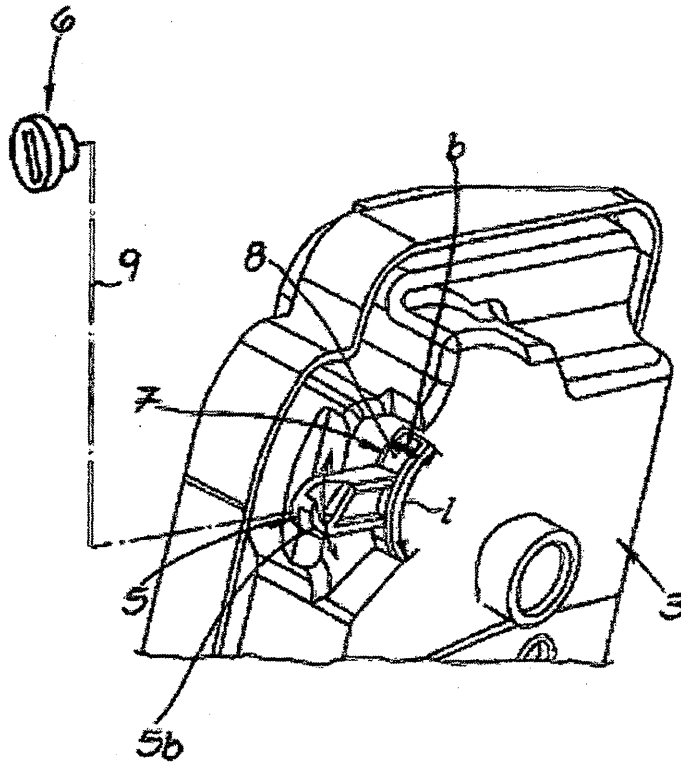
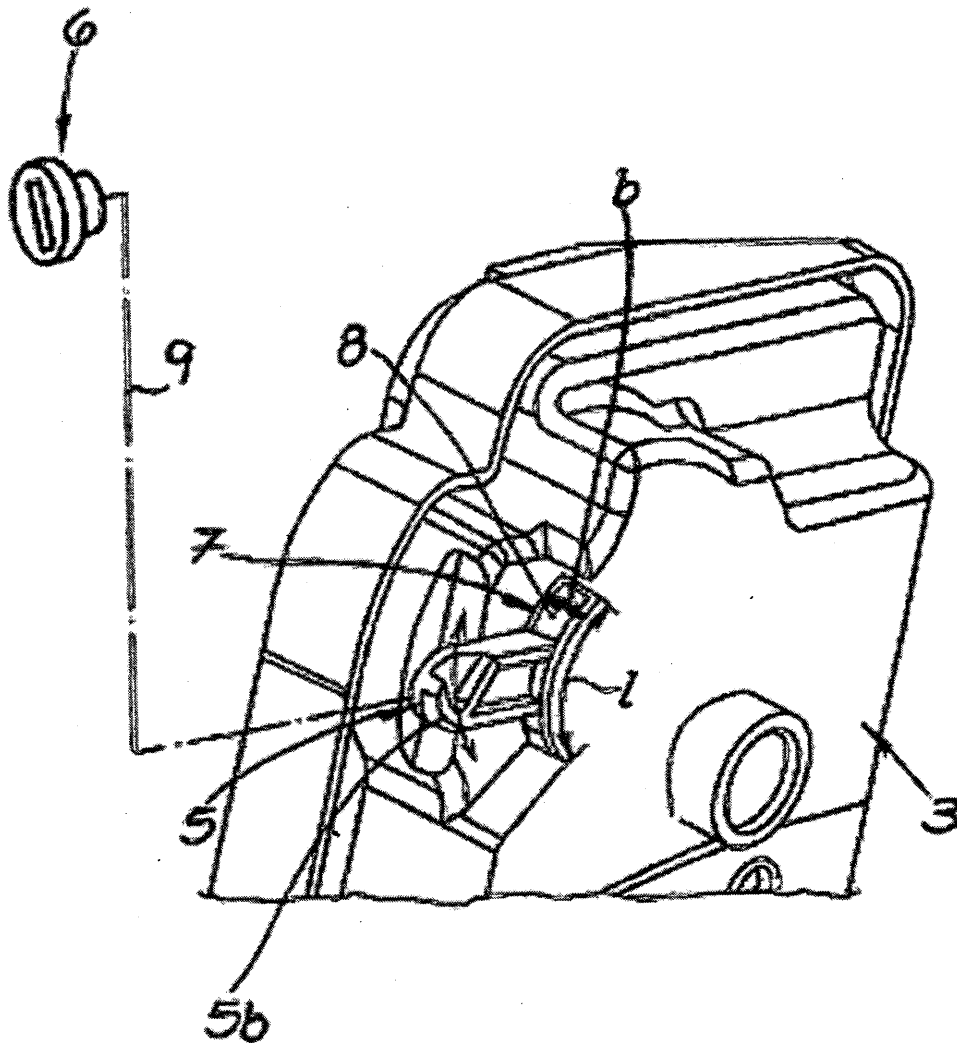


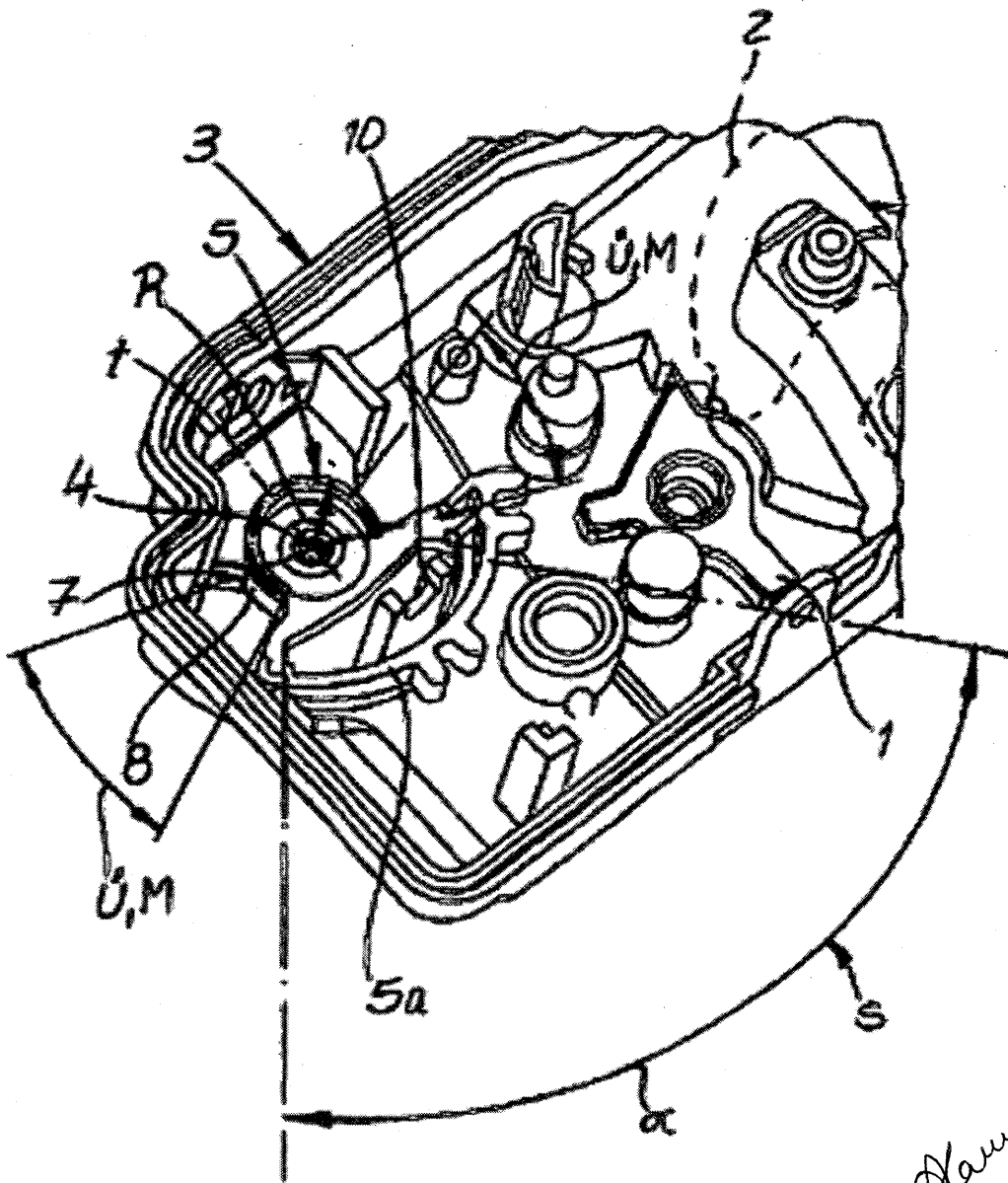
Fig. 1



Handwritten signature

APARNA KAREER
OBHAN & ASSOCIATES
AGENT FOR THE APPLICANTS

Fig. 2



Kawir

APARNA KAREER
OBHAN & ASSOCIATES
AGENT FOR THE APPLICANTS