



US00D366202S

United States Patent [19]
Murphy

[11] **Patent Number:** **Des. 366,202**

[45] **Date of Patent:** ****Jan. 16, 1996**

[54] **LOCKING DEVICE FOR GOLF CLUBS**

Attorney, Agent, or Firm—Gary Lambert

[76] Inventor: **Thomas Murphy**, 716 Princeton Blvd.
#27, Lowell, Mass. 01851

[57] **CLAIM**

[**] Term: **14 Years**

The ornamental design for a locking device for golf clubs,
as shown and described.

[21] Appl. No.: **33,188**

DESCRIPTION

[22] Filed: **Jan. 6, 1995**

[52] U.S. Cl. **D8/333; D8/331**

[58] Field of Search D8/330-331, 333;
206/315.2, 315.3, 315.4, 315.6; 70/14, 19,
57-58, 59

FIG. 1 is a top, front, and right side perspective view of locking device for golf clubs showing my new design, the broken-line disclosure of a portion of a golf bag and clubs being for illustrative purposes only and forming no part of the claimed design;

FIG. 2 is a top plan view thereof, the bottom being a mirror image of that shown;

FIG. 3 is a front elevational view thereof;

FIG. 4 is a right side elevational view thereof, shown rotated ninety degrees with respect to the other views;

FIG. 5 is a left side elevational view thereof, shown rotated ninety degrees with respect to the other views; and,

FIG. 6 is a rear elevational view thereof.

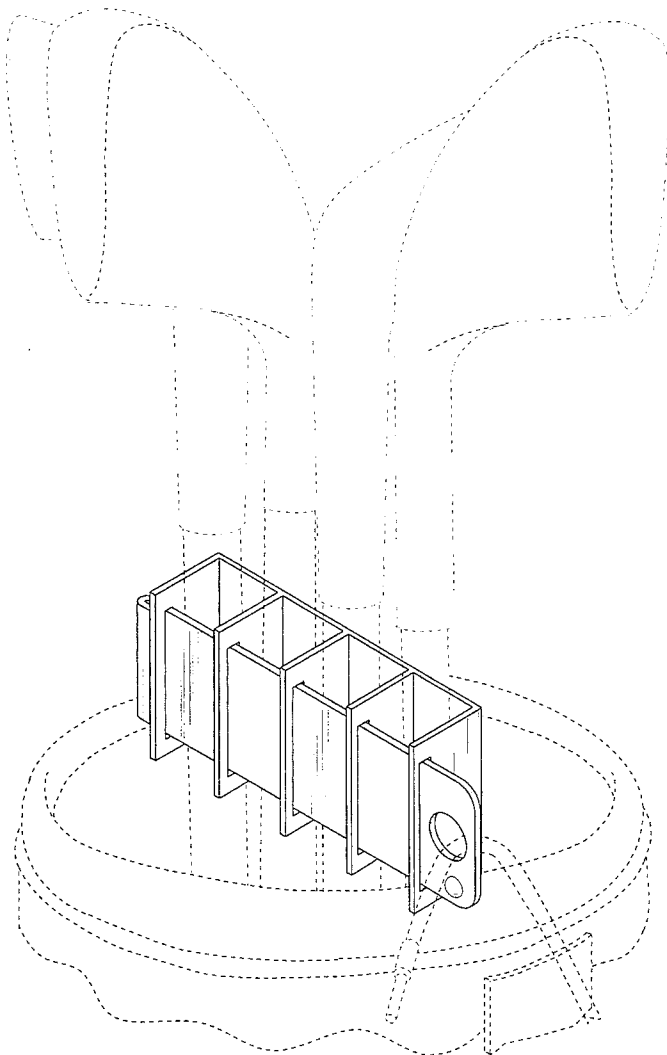
[56] **References Cited**

U.S. PATENT DOCUMENTS

D. 336,603	6/1993	Penafior	D8/333 X
4,538,728	9/1985	Lewis	206/315.3
4,767,001	8/1988	Kim	206/315.3
4,863,019	9/1989	Lewis et al.	70/19 X
5,004,100	4/1991	Smith	70/19 X

Primary Examiner—Brain N. Vinson

1 Claim, 2 Drawing Sheets



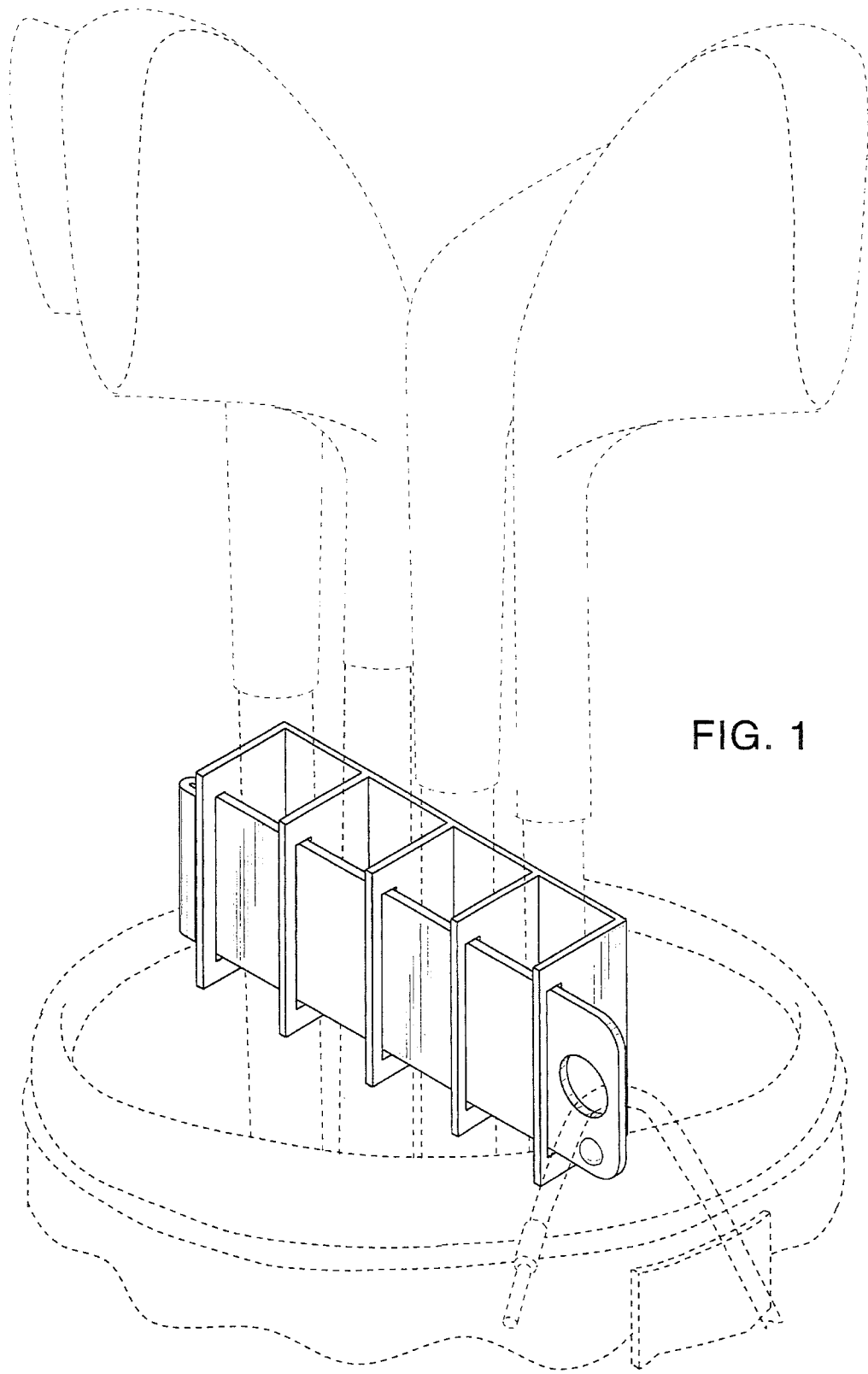


FIG. 1

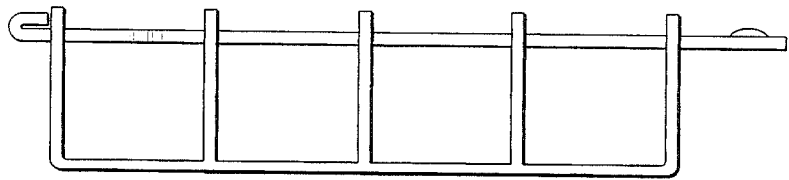


FIG. 2

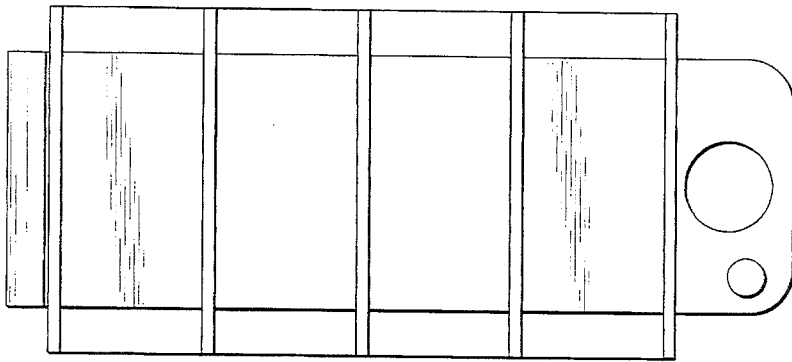


FIG. 3

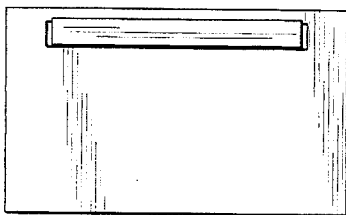


FIG. 5

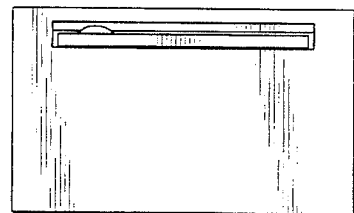


FIG. 4

FIG. 6

