



US00D348715S

United States Patent [19]

[11] Patent Number: **Des. 348,715**

Warner

[45] Date of Patent: **** Jul. 12, 1994**

- [54] **INSECT TRAP**
- [75] Inventor: **William B. Warner, Chandler, Ariz.**
- [73] Assignee: **Farnam Companies, Inc., Phoenix, Ariz.**
- [**] Term: **14 Years**
- [21] Appl. No.: **880,988**
- [22] Filed: **May 11, 1992**
- [52] U.S. Cl. **D22/122**
- [58] Field of Search 43/107, 122, 132.1, 43/131, 121; D22/119, 122

4,121,372	10/1978	Landaus	43/122
4,244,135	1/1981	Harwoods	43/122
4,328,636	5/1982	Johnson	43/107
4,501,088	2/1985	Boisvert et al.	43/122 X
4,551,941	11/1985	Schneidmiller	43/107

Primary Examiner—A. Hugo Word
Assistant Examiner—Doris V. Coles
Attorney, Agent, or Firm—Joseph H. Roediger

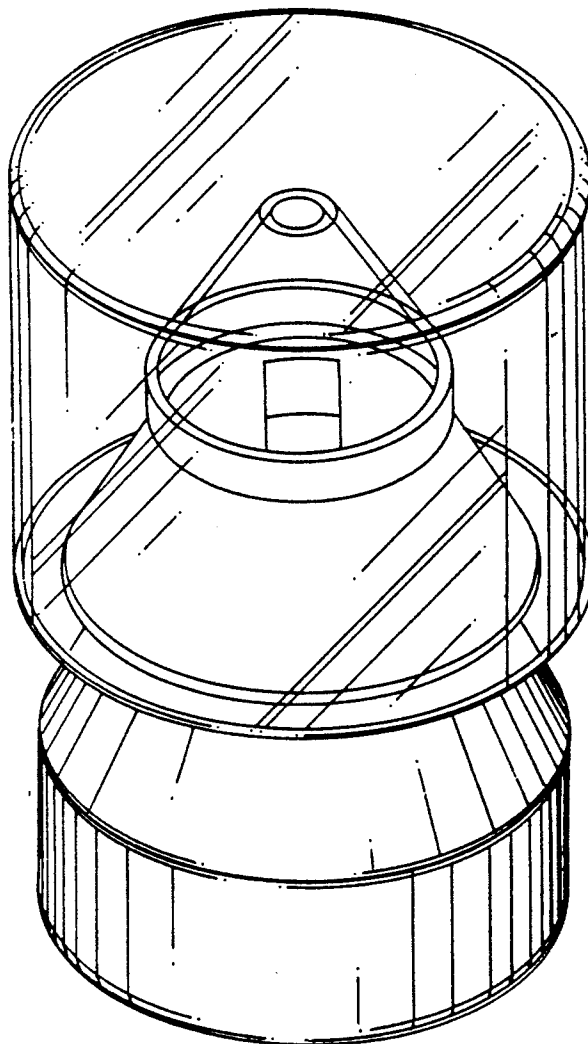
[57] CLAIM

The ornamental design for an insect trap, as shown and described.

DESCRIPTION

FIG. 1 is a view in perspective of an insect trap showing my new design;
 FIG. 2 is a side view thereof, all side views being a mirror image of the view shown;
 FIG. 3 is a top plan view thereof; and,
 FIG. 4 is a bottom plan view thereof.

- [56] **References Cited**
- U.S. PATENT DOCUMENTS**
- D. 44,344 7/1913 Murphy et al. D22/122
- D. 173,253 10/1954 Ayoub
- 1,289,466 12/1918 Hasselgren
- 1,715,958 6/1929 Strand



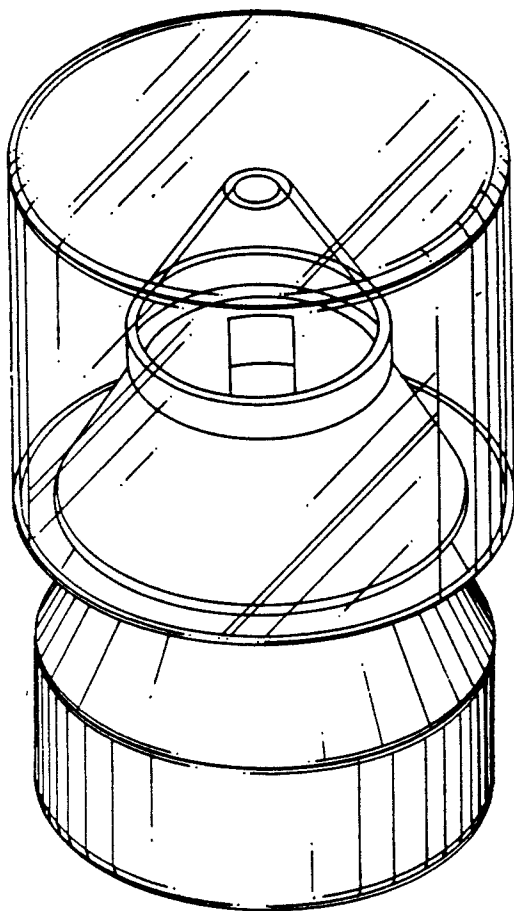


FIG. 1

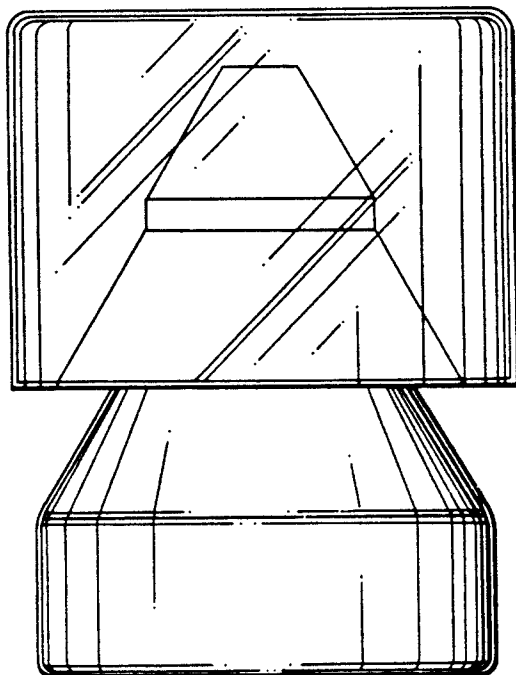


FIG. 2

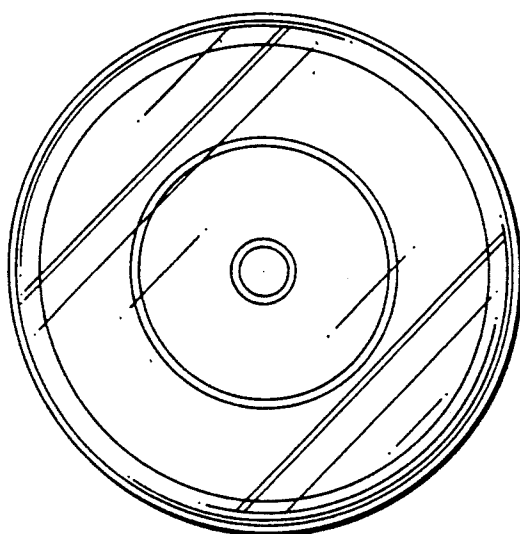


FIG. 3

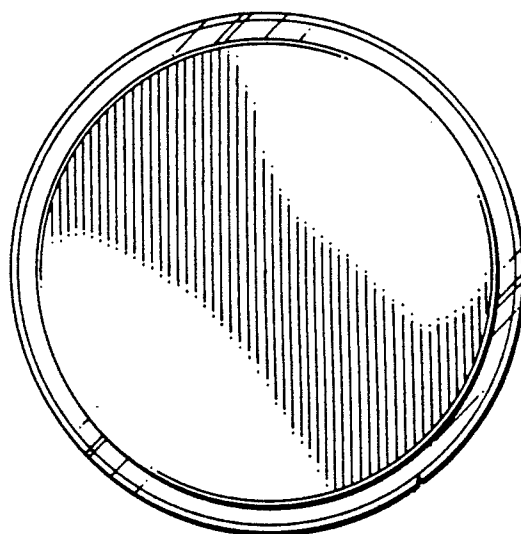


FIG. 4