

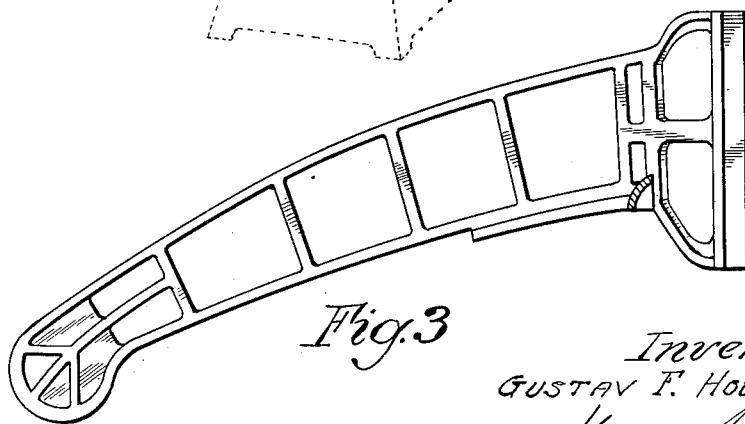
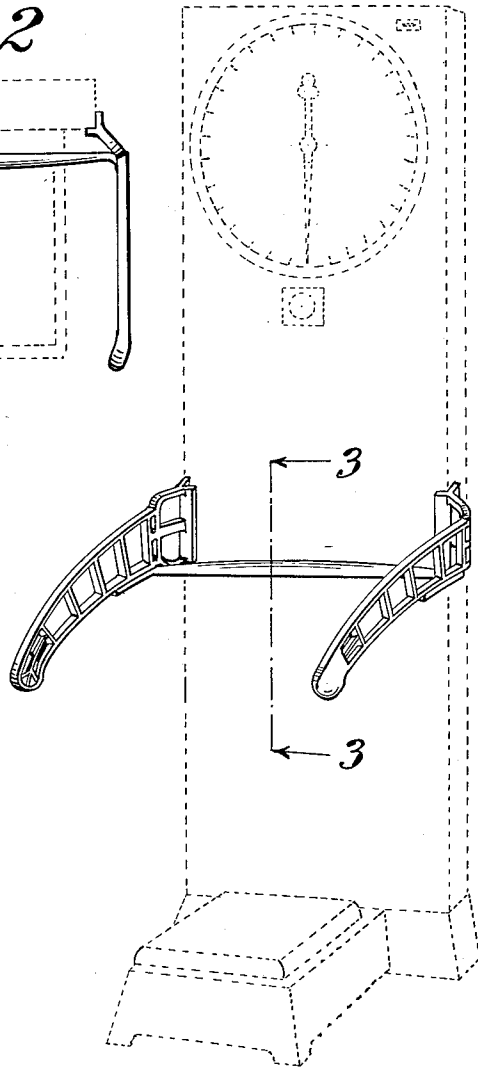
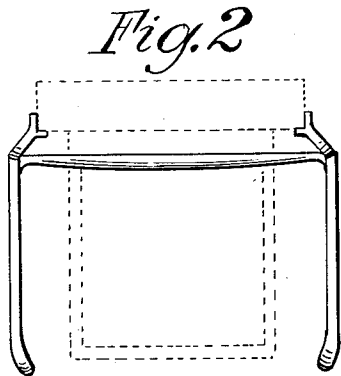
May 20, 1941.

G. F. HOCHRIEM

Des. 127,351

COMBINED WEIGHING SCALE AND SAFETY BRACKETS

Filed Sept. 28, 1940



*Inventor*  
GUSTAV F. HOCHRIEM  
*by Harry Reek*  
*Attorney.*

# UNITED STATES PATENT OFFICE

127,351

## DESIGN FOR A COMBINED WEIGHING SCALE AND SAFETY BRACKETS

Gustav F. Hochriem, Chicago, Ill.

Application September 28, 1940, Serial No. 95,472

Term of patent 14 years

*To all whom it may concern:*

Be it known that I, Gustav F. Hochriem, a citizen of the United States of America, residing at Chicago, in the county of Cook and State of Illinois, have invented a new, original, and ornamental Design for a Combined Weighing Scale and Safety Brackets, of which the following is a specification, reference being had to the accompanying drawing, forming a part thereof.

Fig. 1 is a perspective view of a combined

weighing scale and safety brackets, showing my new design;

Fig. 2 is a top plan view thereof; and

Fig. 3 is an enlarged sectional view taken on line 3—3 of Fig. 1.

I claim:

The ornamental design for a combined weighing scale and safety brackets, as shown.

GUSTAV F. HOCHRIEM.