



- (51) **International Patent Classification:**
E21C 27/22 (2006.01) *E21C 35/12* (2006.01)
- (21) **International Application Number:**
PCT/IB2012/052053
- (22) **International Filing Date:**
24 April 2012 (24.04.2012)
- (25) **Filing Language:** English
- (26) **Publication Language:** English
- (30) **Priority Data:**
20 201 1 050 146.9 16 May 2011 (16.05.2011) DE
- (71) **Applicant (for all designated States except US):** CATERPILLAR GLOBAL MINING EUROPE GMBH [DE/DE]; IndustriestraBe 1, 44534 Lunen (DE).
- (72) **Inventors; and**
- (75) **Inventors/Applicants (for US only):** STEINBERG, Jens [DE/DE]; Falkenweg 23, 44534 Lunen (DE). RASCHKA, Joachim [DE/DE]; Zur Waldschmiede 23, 44805 Bochum (DE). HERRMANN, Frank [DE/DE]; FeudelstraBe 13, 09125 Chemnitz (DE). SCHREITER, Christian [DE/DE]; Gelenauer StraBe 34, 09430 Drebach (DE).
- (74) **Agents:** ALTHAUS, Arndt et al; Kaiser-Wilhelm-Ring 24, 50672 Cologne (DE).
- (81) **Designated States (unless otherwise indicated, for every kind of national protection available):** AE, AG, AL, AM, AO, AT, AU, AZ, BA, BB, BG, BH, BR, BW, BY, BZ, CA, CH, CL, CN, CO, CR, CU, CZ, DE, DK, DM, DO,

DZ, EC, EE, EG, ES, FI, GB, GD, GE, GH, GM, GT, HN, HR, HU, ID, IL, IN, IS, JP, KE, KG, KM, KN, KP, KR, KZ, LA, LC, LK, LR, LS, LT, LU, LY, MA, MD, ME, MG, MK, MN, MW, MX, MY, MZ, NA, NG, NI, NO, NZ, OM, PE, PG, PH, PL, PT, QA, RO, RS, RU, RW, SC, SD, SE, SG, SK, SL, SM, ST, SV, SY, TH, TJ, TM, TN, TR, TT, TZ, UA, UG, US, UZ, VC, VN, ZA, ZM, ZW.

- (84) **Designated States (unless otherwise indicated, for every kind of regional protection available):** ARIPO (BW, GH, GM, KE, LR, LS, MW, MZ, NA, RW, SD, SL, SZ, TZ, UG, ZM, ZW), Eurasian (AM, AZ, BY, KG, KZ, MD, RU, TJ, TM), European (AL, AT, BE, BG, CH, CY, CZ, DE, DK, EE, ES, FI, FR, GB, GR, HR, HU, IE, IS, IT, LT, LU, LV, MC, MK, MT, NL, NO, PL, PT, RO, RS, SE, SI, SK, SM, TR), OAPI (BF, BJ, CF, CG, CI, CM, GA, GN, GQ, GW, ML, MR, NE, SN, TD, TG).

Declarations under Rule 4.17:

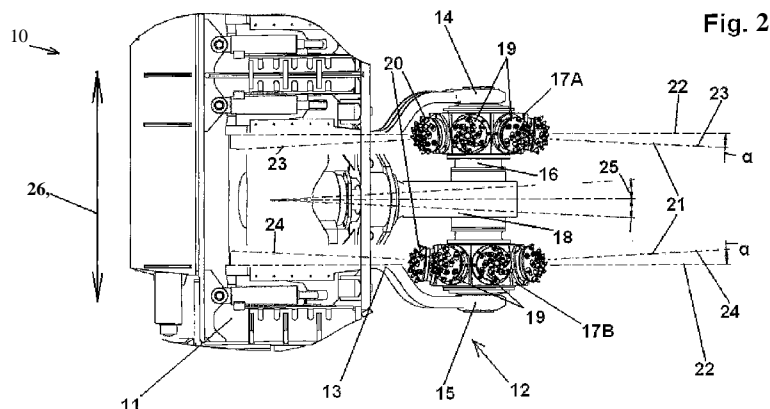
- as to the applicant's entitlement to claim the priority of the earlier application (Rule 4.1 7(in))

Published:

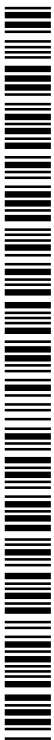
- with international search report (Art. 21(3))
- before the expiration of the time limit for amending the claims and to be republished in the event of receipt of amendments (Rule 48.2(h))

- (88) **Date of publication of the international search report:**
6 June 2013

(54) **Title:** APPARATUS FOR THE MILLING CUTTING OF ROCK, MINERALS OR OTHER MATERIALS



(57) **Abstract:** The apparatus according to the invention for the milling cutting of rock, minerals or other, in particular hard, materials, which preferably can be used on a part-face heading machine (10) in underground mining, has two tool drums (17), which are arranged rotatably mounted side by side in twin arrangement on a drum carrier (13) and which are respectively provided with a plurality of tool carriers (19) which support cutting tools (20) arranged distributed over the periphery of the tool drums and which can be rotatably driven and the shaft axes (21) of which run substantially transversely to the drum axle (16). According to the invention, the arrangement is made such that the shaft axes of the tool carriers of the first tool drum span a first conical surface (23) about the drum axis and the shaft axes of the tool carriers of the second tool drum span a second conical surface (24) about the drum axis, wherein the conical surfaces are open to opposite sides and are preferably oriented such that they are mutually inclined in O-arrangement.



INTERNATIONAL SEARCH REPORT

International application No
PCT/IB2012/052053

A. CLASSIFICATION OF SUBJECT MATTER INV. E21C27/22 E21C35/12 ADD.		
According to International Patent Classification (IPC) or to both national classification and IPC		
B. FIELDS SEARCHED Minimum documentation searched (classification system followed by classification symbols) E21C E21D		
Documentation searched other than minimum documentation to the extent that such documents are included in the fields searched		
Electronic data base consulted during the international search (name of data base and, where practicable, search terms used) EPO-Internal		
C. DOCUMENTS CONSIDERED TO BE RELEVANT		
Category*	Citation of document, with indication, where appropriate, of the relevant passages	Relevant to claim No.
X	US 5 924 222 A (STOETZER ERWIN [DE]) 20 July 1999 (1999-07-20) the whole document -----	1-4, 12, 15
Y	wo 2008/025555 AI (DBT GMBH [DE]; BECHEM ULRICH [DE]) 6 March 2008 (2008-03-06) cited in the application page 8, paragraph 1 -----	1-15
Y	DE 288 984 C (WALTER PRAGEN) 1 May 1915 (1915-05-01) the whole document -----	1-15
A	US 2 730 344 A (FRANK CARTLIDGE) 10 January 1956 (1956-01-10) column 4, lines 10-38 ----- -/---	1-15
<input checked="" type="checkbox"/> Further documents are listed in the continuation of Box C. <input checked="" type="checkbox"/> See patent family annex.		
* Special categories of cited documents : "A" document defining the general state of the art which is not considered to be of particular relevance "E" earlier application or patent but published on or after the international filing date "L" document which may throw doubts on priority claim(s) or which is cited to establish the publication date of another citation or other special reason (as specified) "O" document referring to an oral disclosure, use, exhibition or other means "P" document published prior to the international filing date but later than the priority date claimed "T" later document published after the international filing date or priority date and not in conflict with the application but cited to understand the principle or theory underlying the invention "X" document of particular relevance; the claimed invention cannot be considered novel or cannot be considered to involve an inventive step when the document is taken alone "Y" document of particular relevance; the claimed invention cannot be considered to involve an inventive step when the document is combined with one or more other such documents, such combination being obvious to a person skilled in the art "&" document member of the same patent family		
Date of the actual completion of the international search 19 March 2013		Date of mailing of the international search report 28/03/2013
Name and mailing address of the ISA/ European Patent Office, P.B. 5818 Patentlaan 2 NL - 2280 HV Rijswijk Tel. (+31-70) 340-2040, Fax: (+31-70) 340-3016		Authorized officer Garri do Garci a, M

INTERNATIONAL SEARCH REPORT

International application No
PCT/IB2012/052053

C(Continuation). DOCUMENTS CONSIDERED TO BE RELEVANT		
Category*	Citation of document, with indication, where appropriate, of the relevant passages	Relevant to claim No.
A	US 2 689 117 A (LINDBERG RICHARD c) 14 September 1954 (1954-09-14) column 4 , lines 42-58 -----	1-15

INTERNATIONAL SEARCH REPORT

Information on patent family members

International application No PCT/IB2012/052053

Patent document cited in search report	Publication date	Publication date	Patent family member(s)	Publication date
US 5924222	A	20-07-1999	AT 196336 T	15-09-2000
			CN 1185508 A	24-06-1998
			DE 19652835 CI	26-03-1998
			EP 0849403 A1	24-06-1998
			HK 1010899 A1	12-04-2002
			ID 19690 A	30-07-1998
			JP 2971425 B2	08-11-1999
			JP H10183681 A	14-07-1998
			KR 100248603 B1	15-03-2000
			MY 120217 A	30-09-2005
			SG 77616 A1	16-01-2001
			TW 384334 B	11-03-2000
			US 5924222 A	20-07-1999
			ZA 9710949 A	15-06-1998

W0 2008025555	A1	06-03-2008	AU 2007291529 A1	06-03-2008
			CA 2661476 A1	06-03-2008
			CN 101512101 A	19-08-2009
			DE 102006040881 A1	06-03-2008
			EP 2057348 A1	13-05-2009
			JP 2010501753 A	21-01-2010
			RU 2009111590 A	10-10-2010
			US 2010001574 A1	07-01-2010
			W0 2008025555 A1	06-03-2008
			ZA 200902146 A	31-03-2010

DE 288984	C	01-05-1915	NONE	

US 2730344	A	10-01-1956	NONE	

us 2689117	A	14-09-1954	NONE	
