



US00D741216S

(12) **United States Design Patent**  
**Peterson et al.**

(10) **Patent No.:** **US D741,216 S**  
(45) **Date of Patent:** **\*\* Oct. 20, 2015**

(54) **PLANT TOWER**

(71) Applicant: **Jack Steve Peterson**, Knoxville, TN  
(US)

(72) Inventors: **Jack Steve Peterson**, Knoxville, TN  
(US); **Ryan M. Peterson**, Knoxville, TN  
(US)

(\*\*) Term: **14 Years**

(21) Appl. No.: **29/511,058**

(22) Filed: **Dec. 5, 2014**

**Related U.S. Application Data**

(62) Division of application No. 14/319,404, filed on Jun. 30, 2014.

(51) **LOC (10) Cl.** ..... **11-02**

(52) **U.S. Cl.**  
USPC ..... **D11/143**

(58) **Field of Classification Search**  
USPC ..... D6/403, 404, 405, 556, 557, 558,  
D6/682.1; D11/143-156, 164  
CPC ..... A01G 5/04; A01G 9/02; A01G 9/022;  
A01G 9/023; A01G 9/025; A01G 9/028;  
A01G 9/10

See application file for complete search history.

(56) **References Cited**

**U.S. PATENT DOCUMENTS**

D46,645 S *	11/1914	Traylor	.....	D11/152
3,252,252 A *	5/1966	Muelberger, Jr.	.....	47/82
D207,915 S *	6/1967	Zimmerman	.....	D11/152
3,686,791 A *	8/1972	Mills	.....	47/83
D262,274 S *	12/1981	Lahr	.....	D11/152

4,614,056 A *	9/1986	Farkas	.....	47/67
D295,842 S *	5/1988	Gay	.....	D11/152
4,779,378 A *	10/1988	Mason, Jr.	.....	47/83
D306,985 S *	4/1990	Mason, Jr.	.....	D11/143
D309,878 S *	8/1990	Mason, Jr.	.....	D11/143
D445,062 S *	7/2001	Wong	.....	D11/147
D453,488 S *	2/2002	McCaughey	.....	D11/152
6,612,073 B1 *	9/2003	Powell et al.	.....	47/83
D493,384 S *	7/2004	Jensen	.....	D11/143
7,043,877 B1 *	5/2006	Jensen	.....	47/83
7,690,151 B2 *	4/2010	Wilkes	.....	47/82
D653,156 S *	1/2012	Phelps et al.	.....	D11/143
D689,792 S *	9/2013	Xing	.....	D11/143
8,776,433 B2 *	7/2014	Huang et al.	.....	47/82

\* cited by examiner

*Primary Examiner* — Elizabeth Albert

(74) *Attorney, Agent, or Firm* — Stephen J. Stark

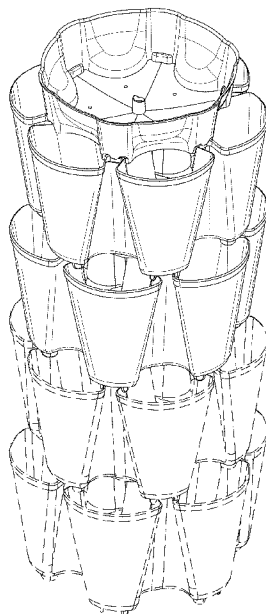
(57) **CLAIM**

I claim the ornamental design for a plant tower, as shown and described.

**DESCRIPTION**

FIG. 1 is a perspective view of the design of the present invention for a plant tower;  
 FIG. 2 is a front elevation view of the plant tower of FIG. 1 with the rear elevation view being the same;  
 FIG. 3 is a left side elevation view of the plant tower of FIG. 1 with the right side elevation view being the same;  
 FIG. 4 is a top end view of the plant tower of FIG. 1;  
 FIG. 5 is a bottom end view of the plant tower of FIG. 1; and,  
 FIG. 6 is an exploded view of the plant tower of FIG. 1.  
 The broken lines in FIGS. 1 and 5 are included for the purpose of showing portions of the plant tower that form no part of the claimed design.

**1 Claim, 4 Drawing Sheets**



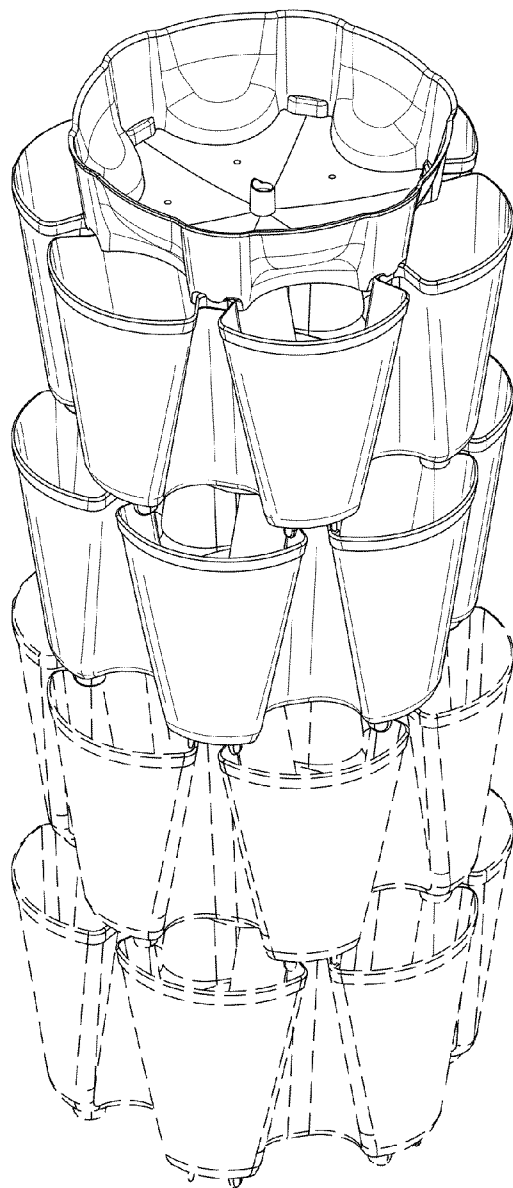


Fig. 1

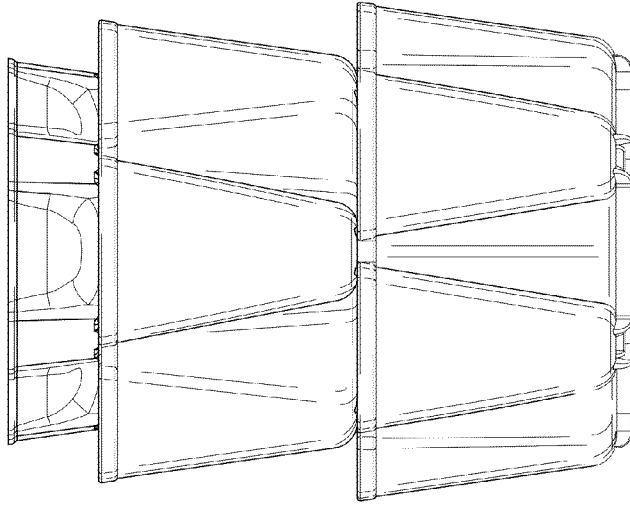


Fig. 2

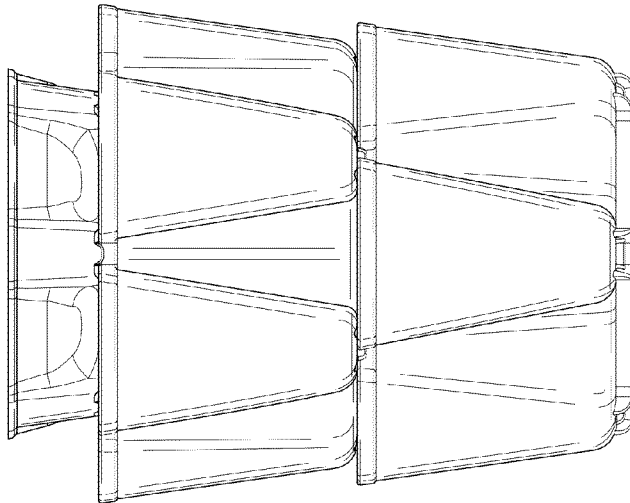


Fig. 3

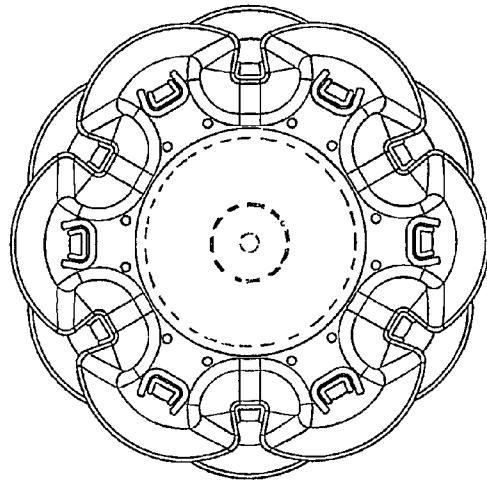


Fig. 5

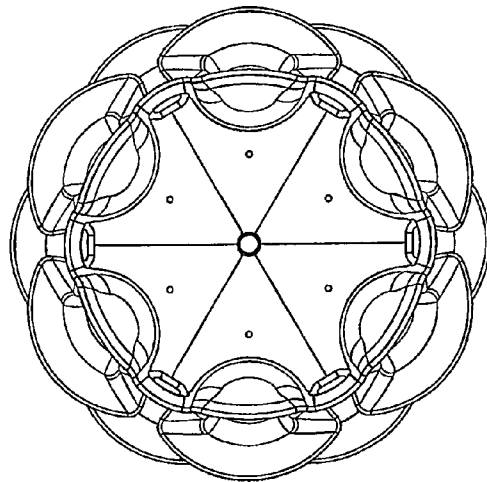


Fig. 4

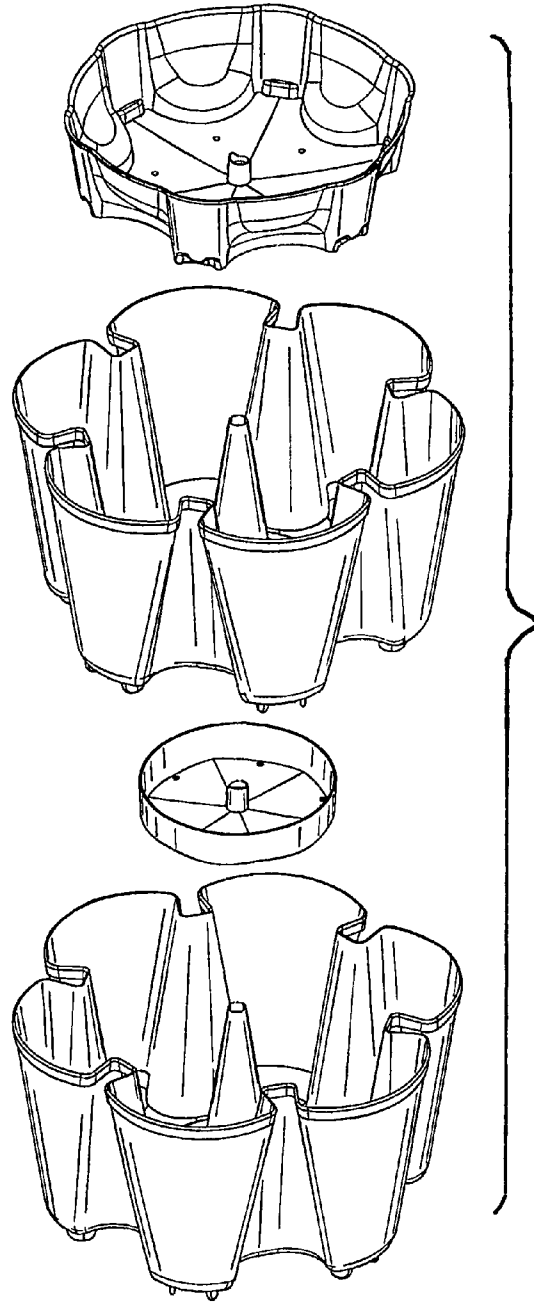


Fig.6