

(19) World Intellectual Property  
Organization  
International Bureau



(43) International Publication Date  
5 August 2004 (05.08.2004)

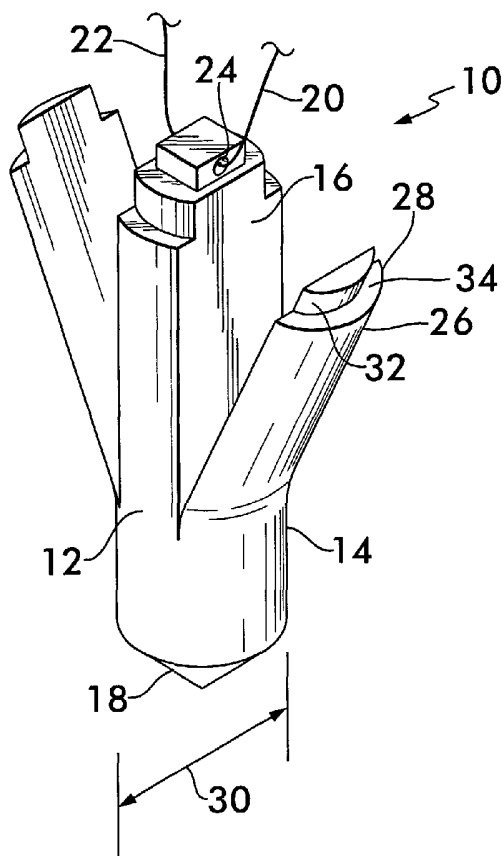
PCT

(10) International Publication Number  
WO 2004/064596 A3

- (51) International Patent Classification<sup>7</sup>: A61B 17/04
- (21) International Application Number: PCT/US2003/033291
- (22) International Filing Date: 21 October 2003 (21.10.2003)
- (25) Filing Language: English
- (26) Publication Language: English
- (30) Priority Data: 10/342,008 14 January 2003 (14.01.2003) US
- (71) Applicant (for all designated States except US): SECANT MEDICAL, LLC [US/US]; P.O. Box 275, 700 Park Avenue, Perkasio, PA 18944 (US).
- (72) Inventor; and
- (75) Inventor/Applicant (for US only): GREENHALGH, E., Skott [US/US]; 7943 Pleasant Avenue, Wyndmoor, PA 19038 (US).
- (74) Agent: CHIONCHIO, John; Synnestvedt & Lechner LLP, 2600 Aramark Tower, 1101 Market Street, Philadelphia, PA 19107-2950 (US).
- (81) Designated States (national): AE, AG, AL, AM, AT, AU, AZ, BA, BB, BG, BR, BY, BZ, CA, CH, CN, CO, CR, CU, CZ, DE, DK, DM, DZ, EC, EE, EG, ES, FI, GB, GD, GE, GH, GM, HR, HU, ID, IL, IN, IS, JP, KE, KG, KP, KR, KZ, LC, LK, LR, LS, LT, LU, LV, MA, MD, MG, MK, MN, MW, MX, MZ, NI, NO, NZ, OM, PG, PH, PL, PT, RO, RU, SC, SD, SE, SG, SK, SL, SY, TJ, TM, TN, TR, TT, TZ, UA, UG, US, UZ, VC, VN, YU, ZA, ZM, ZW.
- (84) Designated States (regional): ARIPO patent (GH, GM, KE, LS, MW, MZ, SD, SL, SZ, TZ, UG, ZM, ZW), Eurasian patent (AM, AZ, BY, KG, KZ, MD, RU, TJ, TM), European patent (AT, BE, BG, CH, CY, CZ, DE, DK, EE, ES, FI, FR, GB, GR, HU, IE, IT, LU, MC, NL, PT, RO, SE, SI, SK, TR), OAPI patent (BF, BJ, CF, CG, CI, CM, GA, GN, GQ, GW, ML, MR, NE, SN, TD, TG).

[Continued on next page]

(54) Title: ANCHOR REMOVABLE FROM A SUBSTRATE



(57) Abstract: An anchor removably positionable within a cavity in a substrate is disclosed. The anchor has an anchor body from which a plurality of resiliently biased legs extend. The legs are movable between a first position within the envelope of the anchor body diameter, and a second position extending radially beyond the anchor body diameter. The legs are biased to assume the second position when unconstrained. Free ends of the legs have engagement surfaces receivable within an insertion tool for constraining the legs into the first position. An attachment extends from the anchor body for connection to an item to be attached to the substrate. Insertion of the anchor into a distal portion of the cavity having a reduced diameter forces the legs into the first position, allowing engagement of the insertion tool with the legs and removal of the anchor from the cavity.

WO 2004/064596 A3



**Declaration under Rule 4.17:**

— *of inventorship (Rule 4.17(iv)) for US only*

**Published:**

— *with international search report*  
— *before the expiration of the time limit for amending the claims and to be republished in the event of receipt of amendments*

*For two-letter codes and other abbreviations, refer to the "Guidance Notes on Codes and Abbreviations" appearing at the beginning of each regular issue of the PCT Gazette.*

**(88) Date of publication of the international search report:**

31 March 2005

# INTERNATIONAL SEARCH REPORT

International Application No.

PCT/US03/33291

**A. CLASSIFICATION OF SUBJECT MATTER**

IPC(7) : A61B 17/04  
 US CL : 606/232, 72, 73, 74

According to International Patent Classification (IPC) or to both national classification and IPC

**B. FIELDS SEARCHED**

Minimum documentation searched (classification system followed by classification symbols)  
 U.S. : 606/232, 72, 73, 74

Documentation searched other than minimum documentation to the extent that such documents are included in the fields searched  
 NONE

Electronic data base consulted during the international search (name of data base and, where practicable, search terms used)  
 EAST

**C. DOCUMENTS CONSIDERED TO BE RELEVANT**

Category *	Citation of document, with indication, where appropriate, of the relevant passages	Relevant to claim No.
X	US 5,662,654 A (THOMPSON) 02 September 1997 (02.09.1997), See the entire document.	22-27, 32-34 and 36-47
---		-----
Y		28-31 and 35
Y	US 5,782,866 A (WENSTROM, JR.) 21 July 1998 (21.07.1998), See the entire document.	28-31
Y	US 5,849,004 A (BRAMLET) 15 December 1998 (15.12.1998), See the entire document.	35
A	US 5,797,963 A (McDEVITT) 25 August 1998 (25.08.1998), See the entire document.	1-61
A, E	US 6,652,561 B1 (TRAN) 25 November 2003 (25.11.2003), See the entire document.	1-61
A	US 5,824,011 A (STONE et al.) 20 October 1998 (20.10.1998), See the entire document.	1-61

Further documents are listed in the continuation of Box C.

See patent family annex.

* Special categories of cited documents:	"T"	later document published after the international filing date or priority date and not in conflict with the application but cited to understand the principle or theory underlying the invention
"A" document defining the general state of the art which is not considered to be of particular relevance	"X"	document of particular relevance; the claimed invention cannot be considered novel or cannot be considered to involve an inventive step when the document is taken alone
"E" earlier application or patent published on or after the international filing date	"Y"	document of particular relevance; the claimed invention cannot be considered to involve an inventive step when the document is combined with one or more other such documents, such combination being obvious to a person skilled in the art
"L" document which may throw doubts on priority claim(s) or which is cited to establish the publication date of another citation or other special reason (as specified)	"&"	document member of the same patent family
"O" document referring to an oral disclosure, use, exhibition or other means		
"P" document published prior to the international filing date but later than the priority date claimed		

Date of the actual completion of the international search

01 September 2004 (01.09.2004)

Date of mailing of the international search report

**27 JAN 2005**

Name and mailing address of the ISA/US

Mail Stop PCT, Attn: ISA/US  
 Commissioner for Patents  
 P.O. Box 1450  
 Alexandria, Virginia 22313-1450

Facsimile No. (703) 305-3230

Authorized officer

Linda Sholl

Telephone No. 703 308 1148

*Sheila H. Veney*  
**Patent Specialist**  
**Tech. Center 3700**