



US00D726405S

(12) **United States Design Patent**
Nassanian et al.

(10) **Patent No.:** **US D726,405 S**

(45) **Date of Patent:** **** Apr. 14, 2015**

(54) **MULTI-STATE CONFIGURABLE BAG**

(71) Applicant: **NIKE, Inc.**, Beaverton, OR (US)

(72) Inventors: **Hrag Nassanian**, Beaverton, OR (US);
David Sagan, Lake Oswego, OR (US)

(73) Assignee: **NIKE, Inc.**, Beaverton, OR (US)

(**) Term: **14 Years**

(21) Appl. No.: **29/499,714**

(22) Filed: **Aug. 18, 2014**

(51) **LOC (10) Cl.** **03-01**

(52) **U.S. Cl.**
USPC **D3/216; D3/217**

(58) **Field of Classification Search**

CPC A45F 3/04; A45F 3/042; A45F 2003/045;
A45F 3/047; A45F 3/08; A45F 3/10; A45F
3/14; A45F 4/02; A45F 4/08; A45C 13/08;
A45C 13/083; A45C 13/1023; A45C 13/103
USPC D3/201, 213-218, 231, 232, 233, 267,
D3/273, 289, 290, 318, 327, 226, 271.1,
D3/282, 256; 224/153, 155, 156, 191, 575,
224/576, 578, 581, 586, 613, 617, 627, 630,
224/644, 645, 650, 652, 653, 657; 441/80,
441/88; 5/413 R; 190/1, 102, 103, 104, 107,
190/108, 111, 114; 206/315.11; 383/6, 37
See application file for complete search history.

(56) **References Cited**

U.S. PATENT DOCUMENTS

D139,891 S *	1/1945	Phelphs	D3/226
D147,825 S *	11/1947	Wemyss	D3/282
5,154,332 A *	10/1992	Williams et al.	224/153
D339,225 S	9/1993	Zel	
5,407,112 A *	4/1995	Christodoulou et al.	224/153
D369,021 S	4/1996	Kliot	
D376,686 S *	12/1996	Daboudet	D3/217
5,588,569 A	12/1996	Mitomi et al.	

D380,294 S	7/1997	Kliot	
5,651,486 A *	7/1997	Kliot	224/653
D398,776 S *	9/1998	Fawcett	D3/216
5,803,333 A *	9/1998	Fawcett	224/652
D403,854 S *	1/1999	Marcusson	D3/217
D404,563 S *	1/1999	Rausch	D3/216

(Continued)

Primary Examiner — Martie K Holtje

(74) *Attorney, Agent, or Firm* — Banner & Witcoff, Ltd.

(57) **CLAIM**

The ornamental design for a multi-state configurable bag, as shown and described.

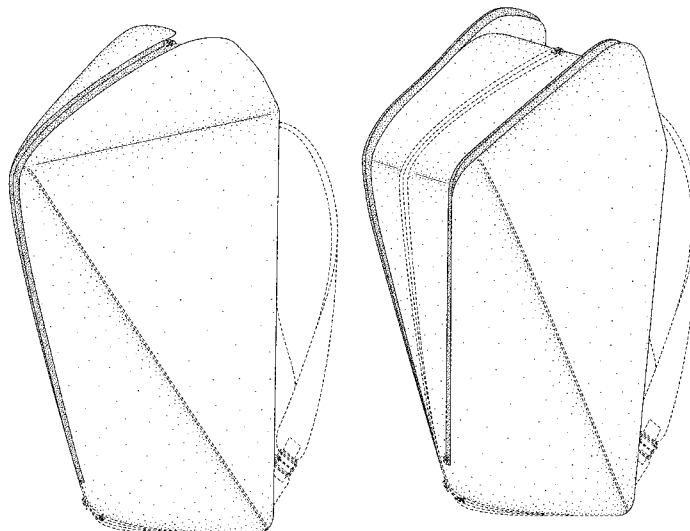
DESCRIPTION

FIG. 1 is a perspective view of a multi-state configurable bag in a first configuration showing our new design; FIG. 2 is a front view thereof; FIG. 3 is a rear view thereof; FIG. 4 is a right side view thereof; FIG. 5 is a left side view thereof; FIG. 6 is a top view thereof; FIG. 7 is a perspective view of the multi-state configurable bag in a second configuration; FIG. 8 is a front view thereof; FIG. 9 is a rear view thereof; FIG. 10 is a right side view thereof; FIG. 11 is a left side view thereof; and, FIG. 12 is a top view thereof.

The broken lines immediately adjacent to the shaded area represent unclaimed boundaries of the design. The unshaded regions form no part of the claimed design. The broken lines showing the remainder of the bag are for environmental purposes only and form no part of the claimed design.

The structural features depicted by broken lines have been shown for the purpose of illustrating portions of the multi-state configurable bag that form no part of the claimed design. It is understood that the unshaded regions form not part of the claimed design.

1 Claim, 12 Drawing Sheets



(56)

References Cited

U.S. PATENT DOCUMENTS

5,881,708 A	3/1999	Kliot		D581,660 S	12/2008	Gonzalez	
D408,993 S	5/1999	Kliot		7,500,547 B2	3/2009	Bettua et al.	
6,053,382 A *	4/2000	Wyant	224/153	7,598,916 B2	10/2009	Inbal et al.	
D425,698 S *	5/2000	Paul et al.	D3/217	D653,852 S *	2/2012	Ryan et al.	D3/256
6,138,881 A *	10/2000	Paul et al.	224/153	D653,853 S *	2/2012	Ryan et al.	D3/256
D437,110 S	2/2001	Ivarson et al.		8,152,374 B2 *	4/2012	Shaul	383/37
6,474,524 B1	11/2002	Ivarson et al.		D660,584 S	5/2012	Cross	
D481,203 S *	10/2003	Vazquez	D3/232	D685,576 S	7/2013	Gould et al.	
6,637,633 B1	10/2003	Eberle		D708,845 S	7/2014	Taylor	
D504,015 S *	4/2005	Delafontaine	D3/233	D709,689 S *	7/2014	Brunazzi et al.	D3/217
D504,227 S	4/2005	Delafontaine		D713,139 S	9/2014	Ford	
D507,698 S	7/2005	Hooper		D714,046 S	9/2014	Sagan	
D536,523 S	2/2007	Guyon		2005/0205635 A1 *	9/2005	Cohen	224/652
D551,451 S *	9/2007	Nathanson	D3/271.1	2006/0102673 A1	5/2006	Collier	
D553,350 S	10/2007	Dvorak		2008/0279483 A1 *	11/2008	Yu	383/6
D570,105 S *	6/2008	Guyon et al.	D3/233	2008/0314948 A1	12/2008	Cohen	
7,422,131 B2	9/2008	Cohen		2011/0097021 A1	4/2011	Curran et al.	
7,434,683 B1 *	10/2008	Harper et al.	206/315.11	2011/0186611 A1	8/2011	Eberle	
				2013/0043292 A1	2/2013	White et al.	
				2013/0248573 A1	9/2013	Kim et al.	

* cited by examiner

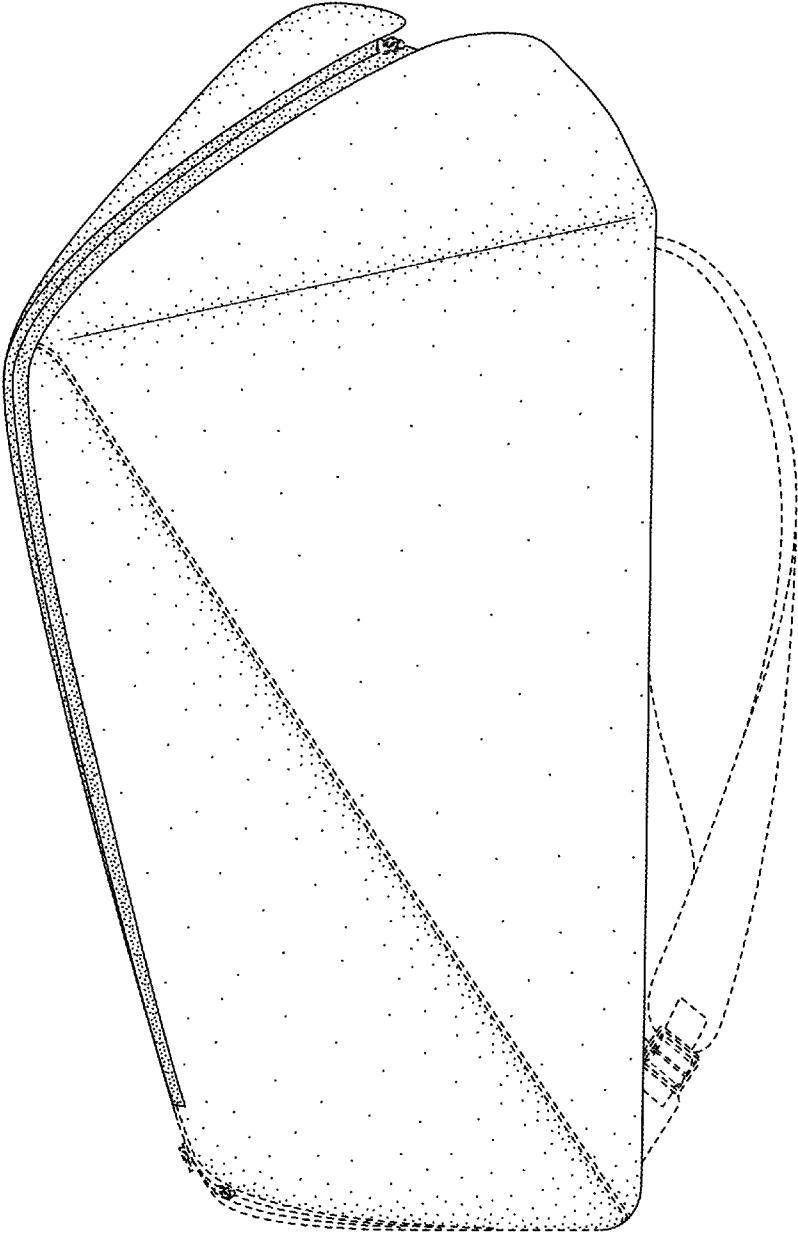


FIG. 1

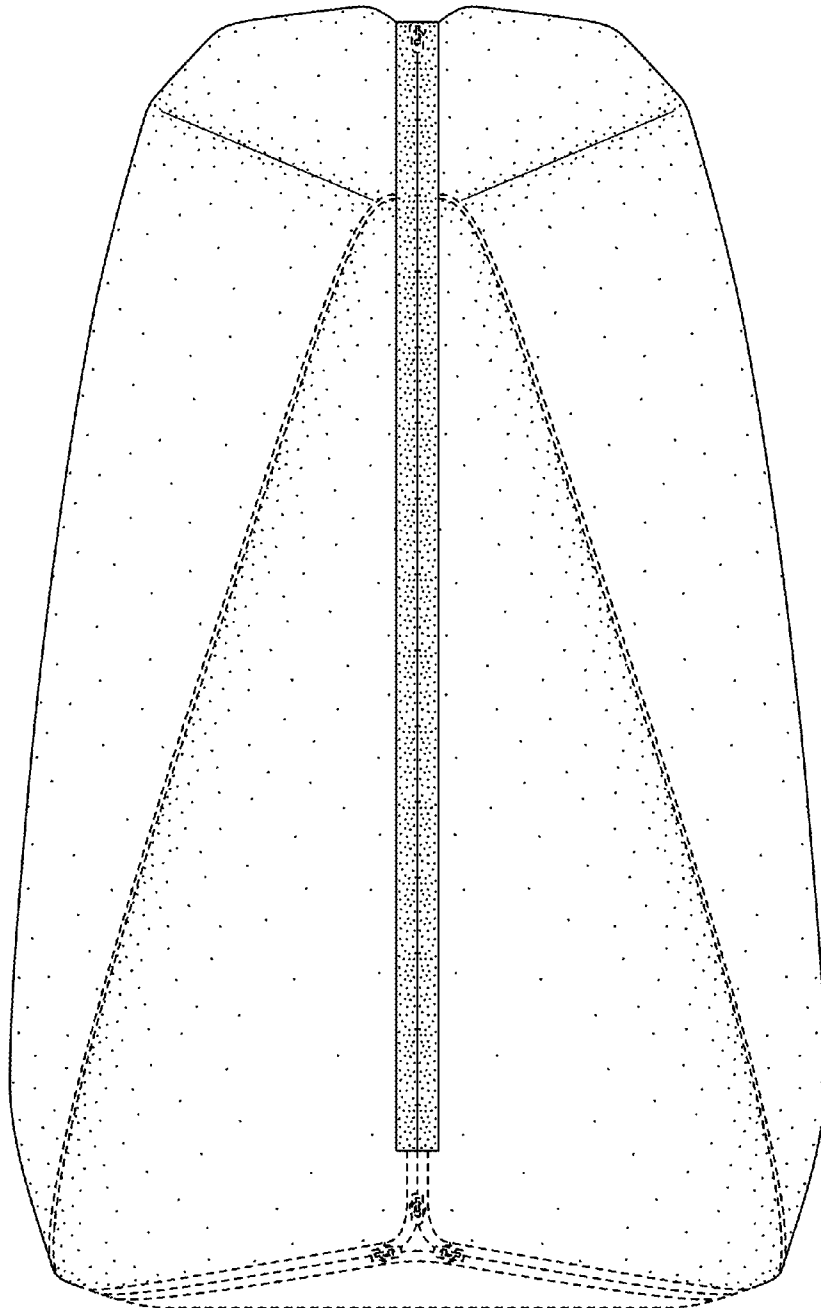


FIG. 2

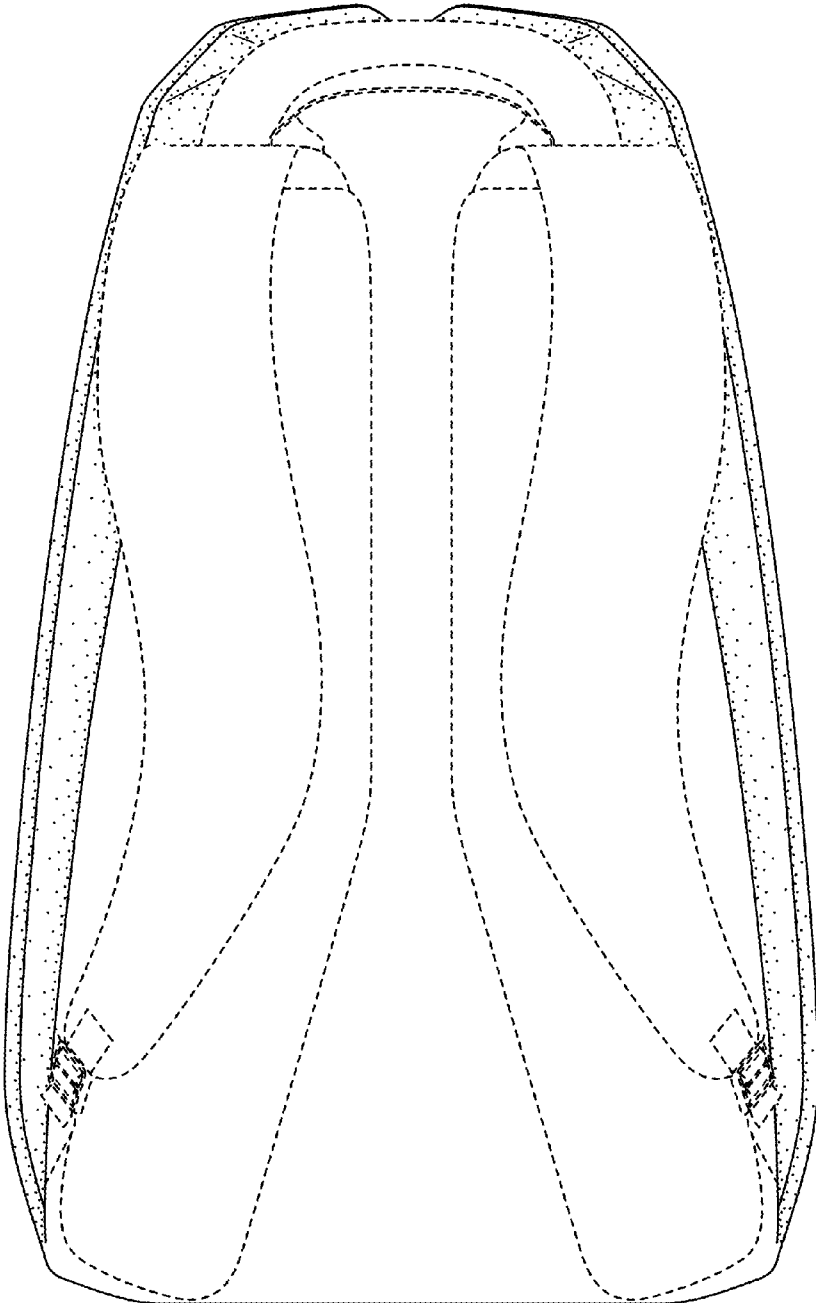


FIG. 3

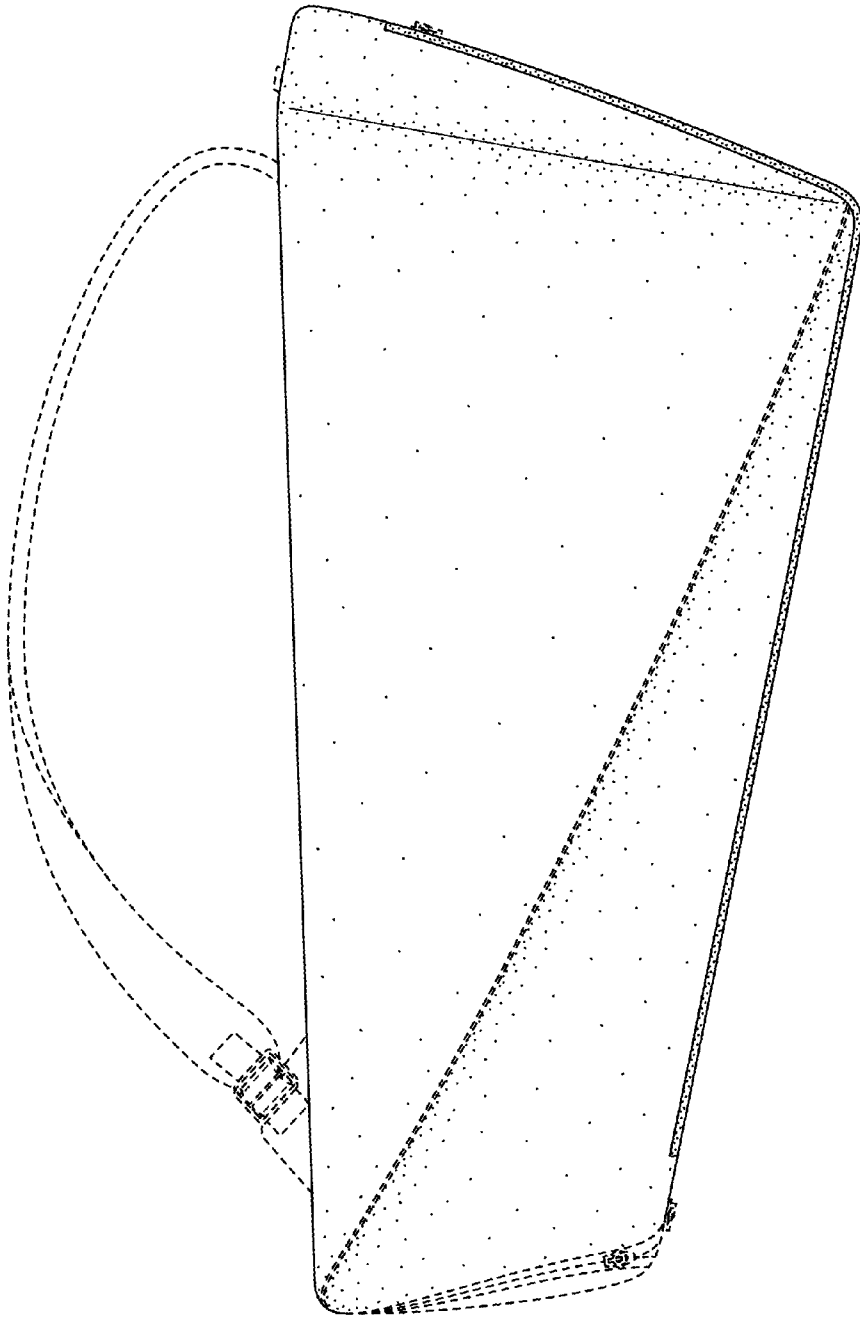


FIG. 4

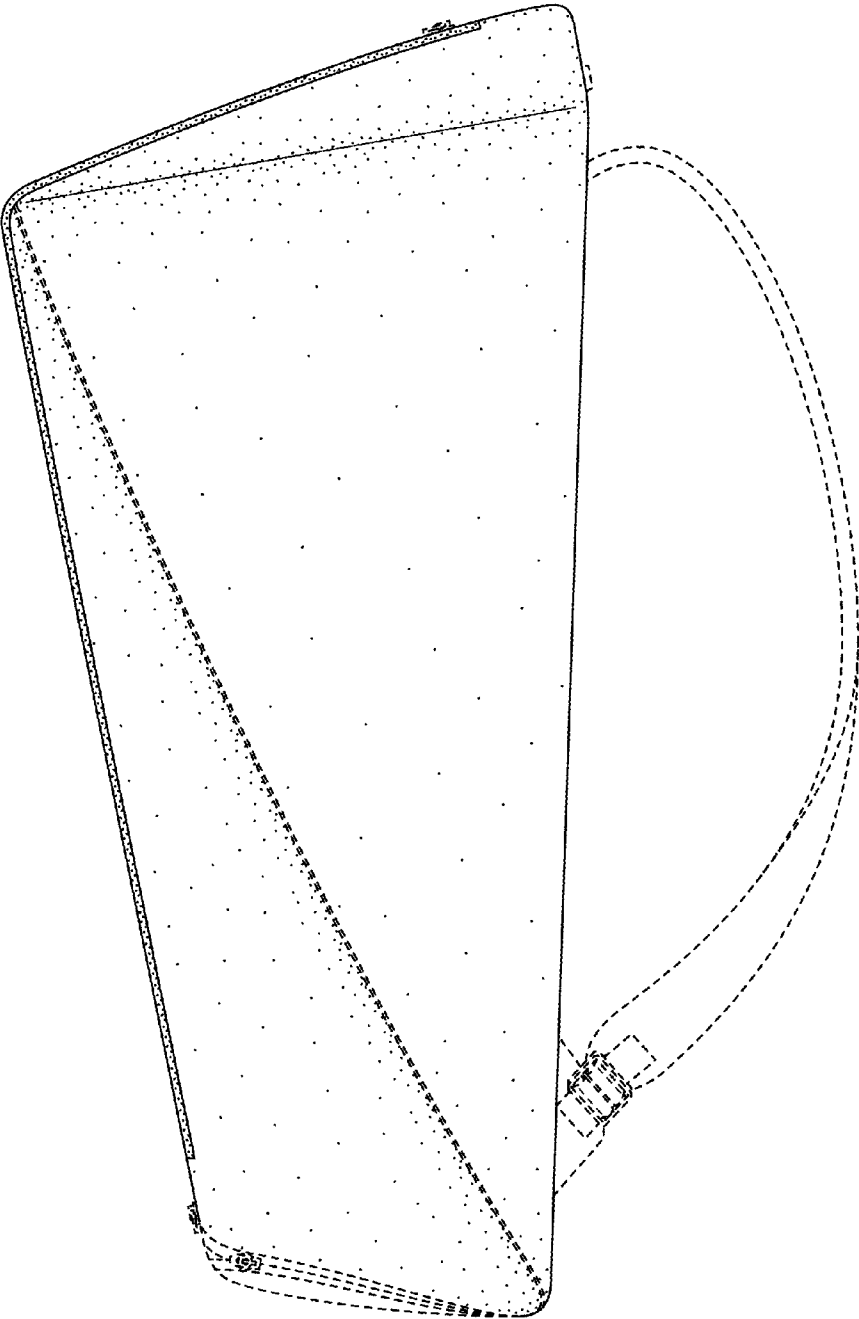


FIG. 5

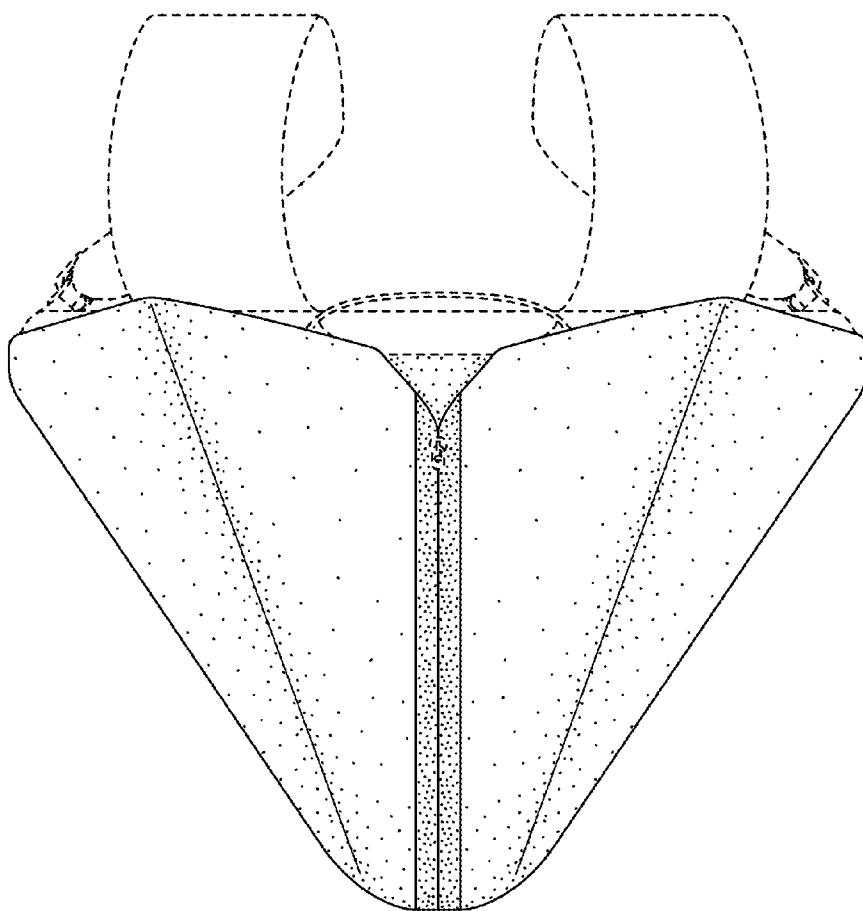


FIG. 6

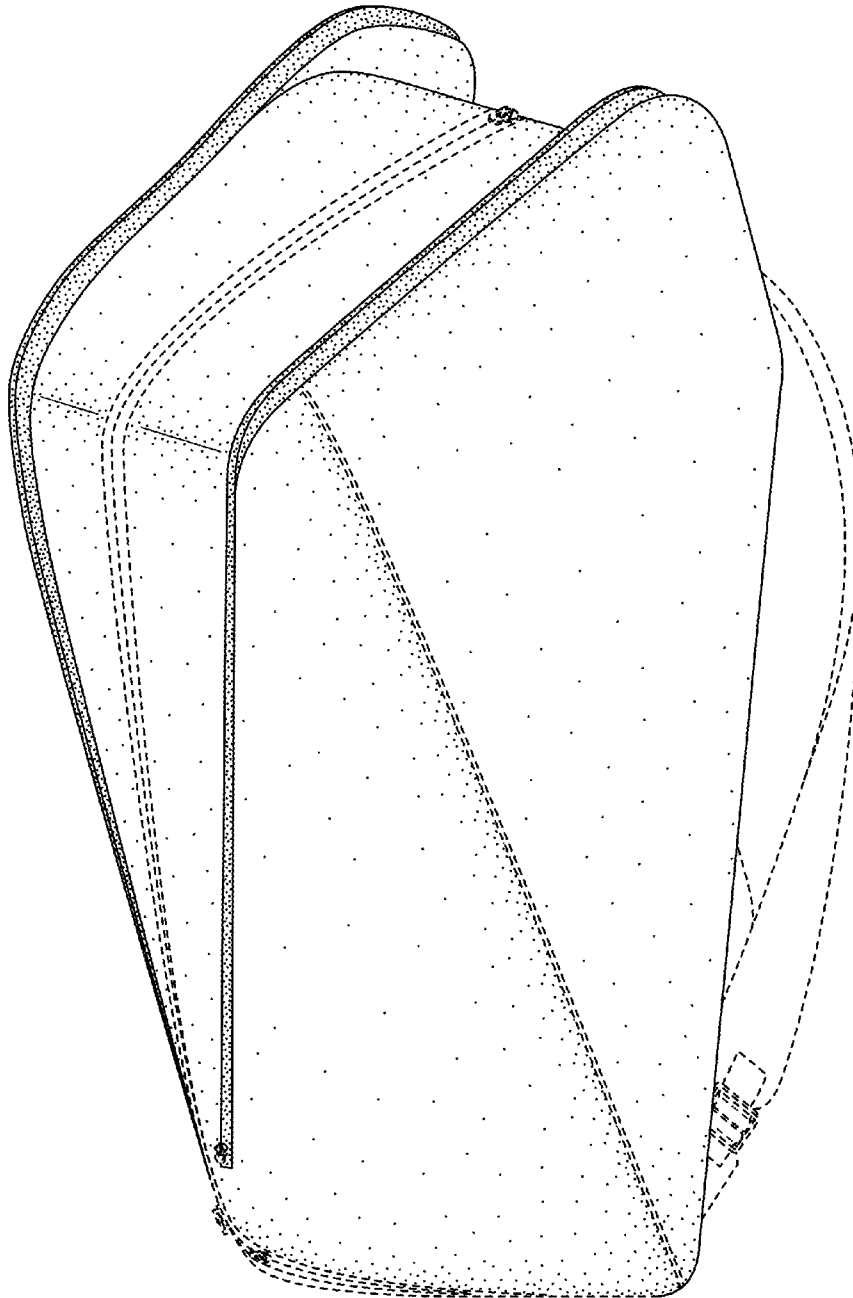


FIG. 7

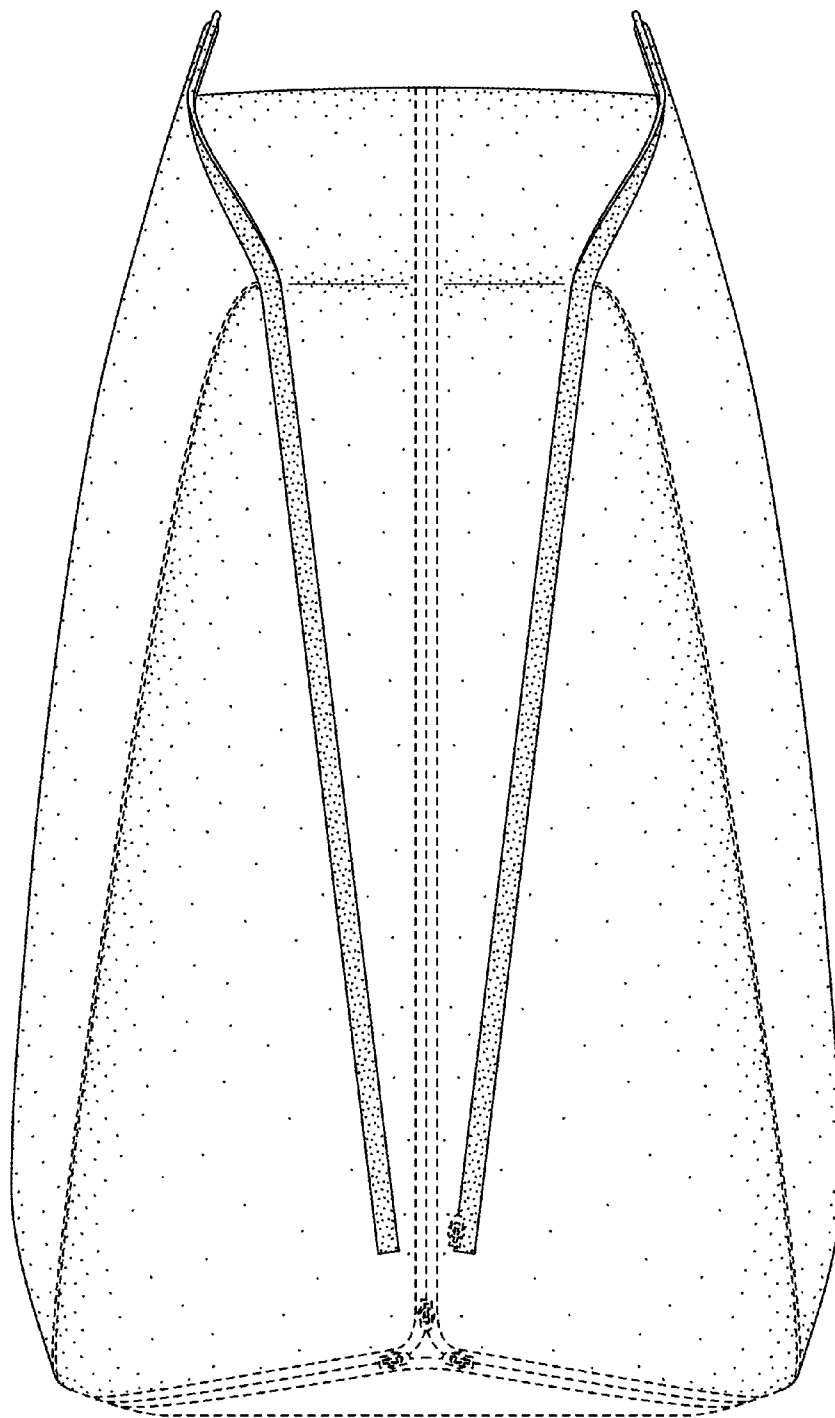


FIG. 8

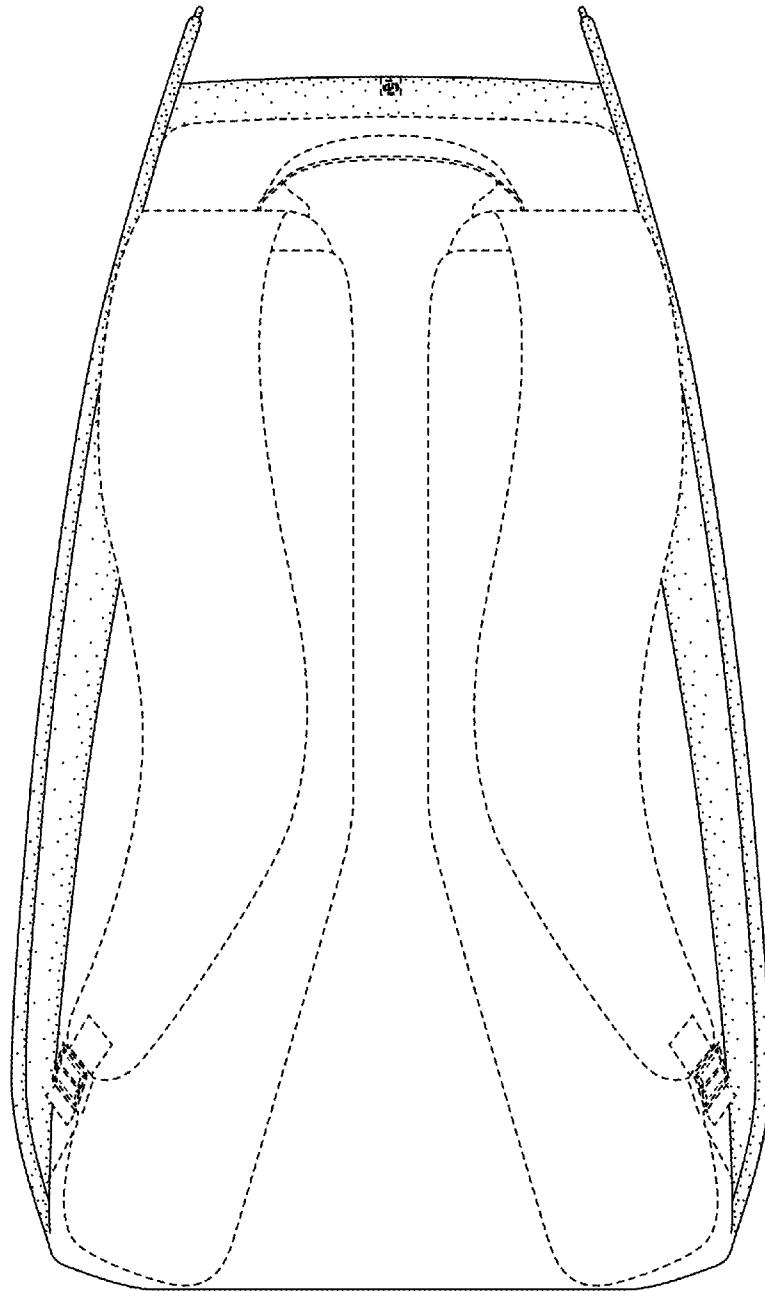


FIG. 9

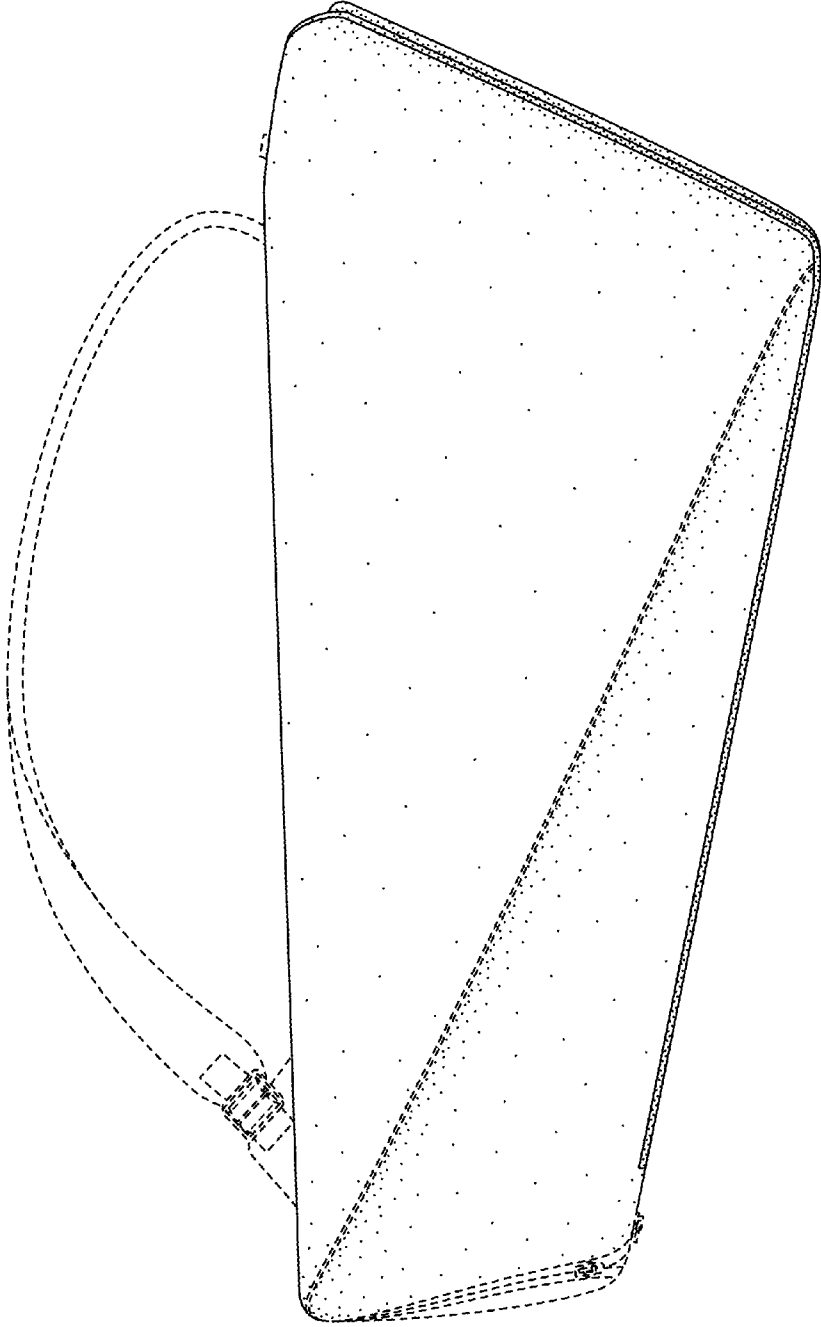


FIG. 10

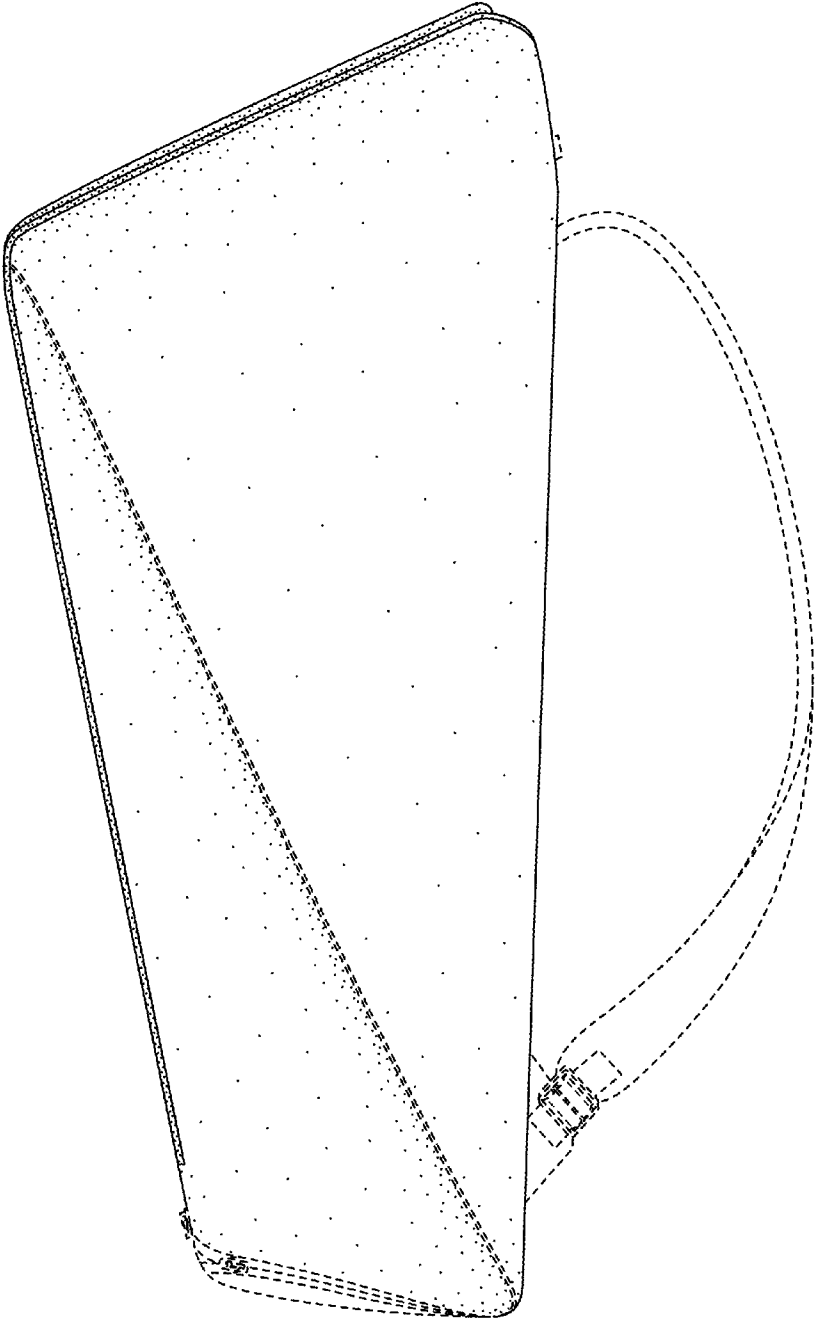


FIG. 11

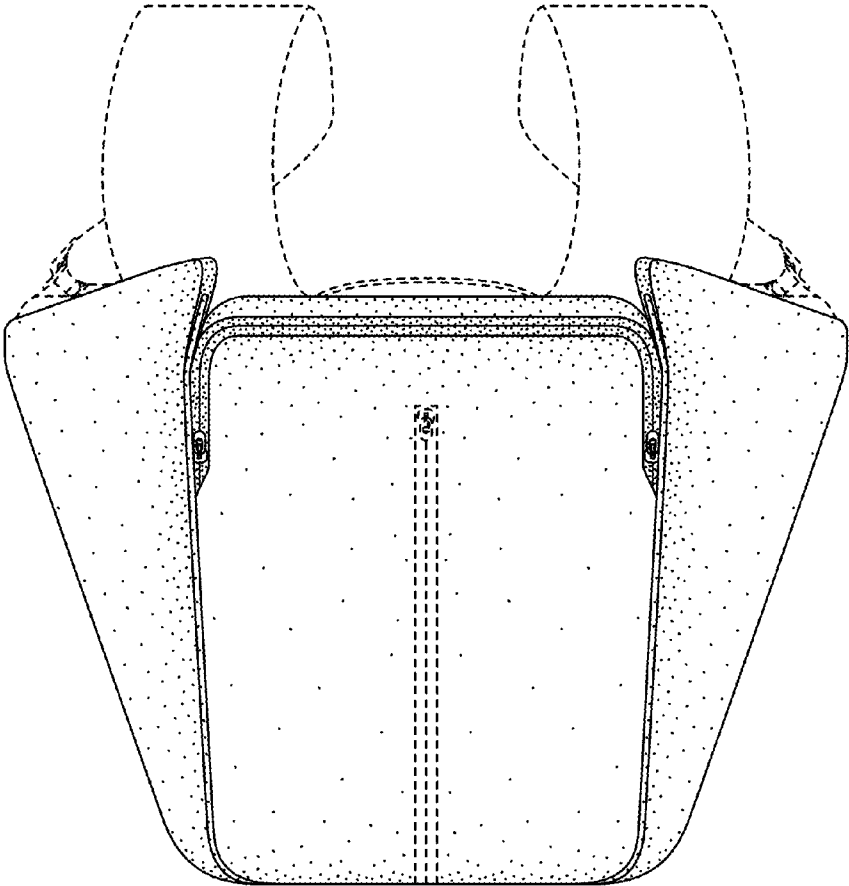


FIG. 12