



(72) KAWAHARA, TOSHIRO, JP

(72) MIKI, TOSHIO, JP

(72) HOTANI, SANAE, JP

(71) NTT MOBILE COMMUNICATIONS NETWORK INC., JP

(51) Int.Cl.⁷ H03M 13/00

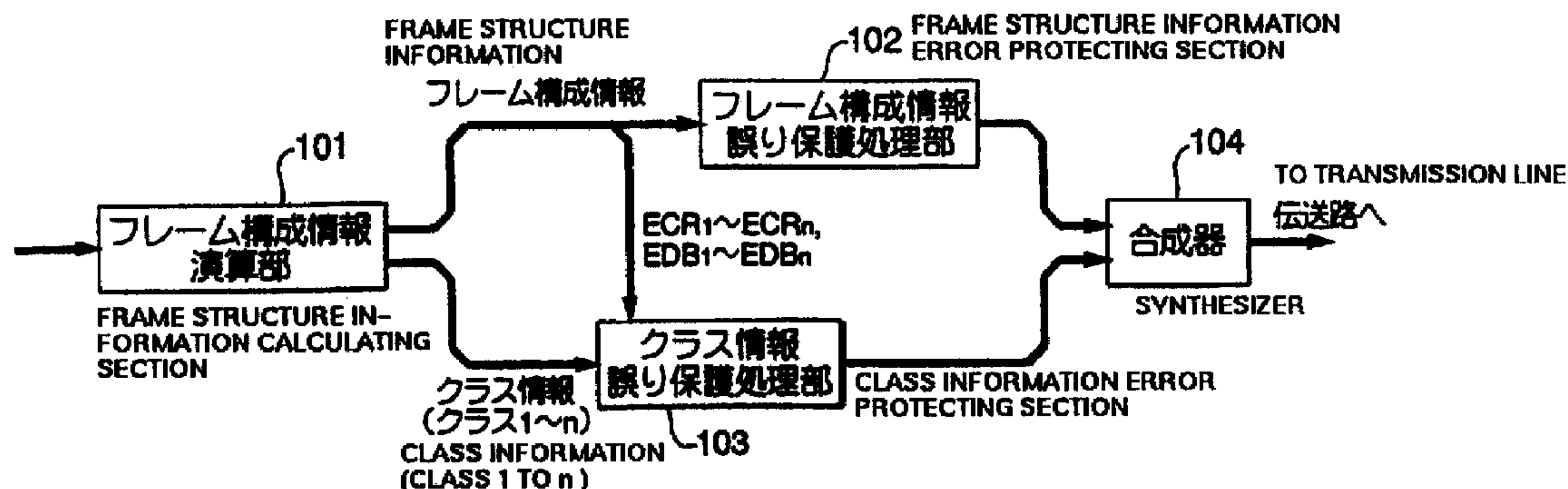
(30) 1998/05/27 (10/146192) JP

(30) 1998/05/27 (10/146191) JP

(30) 1998/12/04 (10/346016) JP

(54) **PROCEDE ET DISPOSITIF DE PROTECTION CONTRE LES
ERREURS**

(54) **ERROR PROTECTING METHOD AND ERROR PROTECTIVE
DEVICE**



(57) Des paramètres représentant la vitesse de codage, le nombre de bits d'un code de détection d'erreurs, la présence/absence d'entrelacement, etc., lesquels représentent les conditions dans lesquelles un signal audio est comprimé, codé et transmis, sont classifiés au moyen d'un procédé de protection contre les erreurs devant être appliqué de manière à assurer une protection contre les erreurs appropriée.

(57) Parameters representing the coding rate, the number of bits of an error detection code, the presence/absence of interleave, and so forth, which are conditions under which an audio signal is compressed, coded, and transmitted, are classified by an error protecting method to be applied so as to achieve suitable error protection.



ABSTRACT OF THE DISCLOSURE

The frame-forming data computing part **101** sorts a plurality of types of parameters forming the frames, and generates frame-forming data that contains data relating to the configuration of said frames and data establishing for each class the error protection method to be applied to each said parameter. The frame-forming data error protection processing part **102** implements the specified error protection for said frame-forming data. The class data error protection processing part **103** implements error protection that is specified for each class according to the frame-forming data, with respect to the parameters that are sorted into a plurality of classes. The synthesizer **104** transmits the frame-forming data that has undergone the specified error protection and the parameters that have undergone the error protection established for each class. In accordance with the present invention, error correction is implemented on frame-forming data indicating the configuration of the frames, and it is also implemented on each class according to the frame-forming data, and these two are synthesized and output. Therefore, it becomes possible to obtain data relating to the configuration of said frames, according to frame-forming data received by the receiving side device. As a result, it is possible to set on the transmission side as desired the content of the error protection to be applied to each class, and in addition, error protection becomes possible for each frame, due to the fact that these data are contained in the frame-forming data, even if the frame has a variable frame length, with the number of bits fluctuating over time.

F0263/3009

1

DESCRIPTION

ERROR PROTECTION METHOD AND ERROR PROTECTION DEVICE

5

Technical Field

The present invention relates to an error protection method and an error protection device that protects a variety of data from signal errors in the process of transmission.

10

Background Art

15

Error protection has been performed on data such as voice and images to protect it from signal errors while being transmitted. A variety of error protection methods have been employed, such as PDC half-rate, Twin-VQ, and the like.

In addition, the error protection methods of the prior art were applied to fixed length frames with the same number of bits per frame, or to quasi-fixed length frames where frames of a limited variety of bit lengths only were to be found.

20

In the prior art error protection method, the error sensitivity was examined for each parameter (including bits) making up the frame, and in the case of parameters with high sensitivity, error protection of a specified type (e.g., the addition of an error detection code or error correction encoding) was performed on frames containing parameters with high sensitivity at the time of transmitting the frames. Here, the error sensitivity of the parameter is of a degree that would degrade the results of decoding obtained on the receiving side, in the case where a single error bit occurred in the process of transmitting said parameter.

25

FIG. 13 shows an example of the configuration of a prior art error protection device. In this figure, a class sorter **401** takes the frame that is to be error protected,

F0263/3009

2

and sorts the parameters of the frame into classes according to their respective degrees of error sensitivity.

In the case of this error protection device, the error protection method, namely either error correction encoding at a specified encoding ratio, or the addition of a specified error detection code, is determined for each class.

A class data error protection processing part **403** implements the error correction encoding or adds an error detection code, according to the error protection method determined in response to the various classes, with respect to the various parameters classified into said classes. Specifically, convolution is carried out for error correction encoding, and cyclic redundancy encoding is carried out to produce an error detection code. Furthermore, an output device **404** performs interleaving and the like on the data that undergoes error correction encoding or to which is added an error detection code, and sends the data to the recipient.

Incidentally, in the case of the prior art error correction device, previously established error protection was carried out for each class. Thus, the prior art error-correcting device had the drawbacks of low flexibility in methods of protection and poor general applicability.

Moreover, the prior art error protection device also had the drawback that it was unable to protect a variable length frame, the number of constituent bits thereof fluctuating with time, since it could protect only the fixed length frames or quasi-fixed length frames as mentioned above.

Disclosure of Invention

The present invention was devised in light of the above-described state of affairs, and has as its object to provide an error protection method and an error protection device that makes it possible to employ a variety of error-correcting algorithms, even when the frames are of a flexible length.

F0263/3009

3

5 In order to achieve said object, the error protection method relating to the present invention includes a process for sorting a plurality of parameters making up a frame into a plurality of classes, a process for generating frame-forming data containing data relating to the formation of said frame and data with an error protection method determined for each class to be applied to the said parameters, a process for implementing the specified error protection to said frame-forming data, a process for implementing error protection specified for each class according to the said frame-forming data, with respect to the data sorted into the said plurality of classes, and a process for transmitting the frame-forming data that has undergone
10 said specified error protection and parameters that were error protected for each said class.

In accordance with the invention, since the parameters are divided into classes, and since the devices are arranged separately so there is a device for generating frame-forming data indicating the content of the error protection to be
15 performed for each class, and a device for performing protection corresponding to each class according to the frame-forming data, it is possible to adjust to changes in the content of the error protection to be applied to each class.

Furthermore, since frame-forming data is transmitted that indicates what type of error protection is suited for each class, the content of the error protection that is to
20 be applied to each class is taken from this frame-forming data by the receiving side device, making it possible to respond appropriately. Therefore, there is no need to fix the content of the error protection, and it becomes possible to switch the error protection content between the transmission side device and the receiving side device, as expediency may dictate. In addition, since the frame-forming data
25 contains data pertaining to the formation of frames, it is possible to implement the processing of variable length frames that have undergone error protection by the receiving side device.

F0263/3009

4

FIG. 1 is a block diagram showing a configuration of an error protection device relating to the first embodiment of the present invention.

FIGS. 2A-2C are time charts showing the operation of said embodiment.

5 FIG. 3 is a block diagram showing a configuration of a receiving side device in said embodiment.

FIG. 4 is a block diagram showing a configuration of an interleaving device provided to a synthesizing device of said error protection device.

10 FIG. 5 is a block diagram showing a sample configuration of the writing address supply part of said interleaving device.

FIG. 6 is a block diagram showing a sample configuration of the reading address supply part of said interleaving device.

15 FIG. 7 is a diagram showing the sequence of writing the bits forming a frame at the time of interleaving into the various storage areas of operating memory, and the sequence of reading the bits forming a frame at the time of de-interleaving from the various storage areas of operating memory in said embodiment.

20 FIG. 8 is a diagram showing the sequence of reading of the bits forming a frame at the time of interleaving from the various storage areas of operating memory, and the sequence of writing the bits forming a frame at the time of de-interleaving into the various storage areas of operating memory in said embodiment.

FIGS. 9A and 9B are time charts showing the operation of the interleaving device of said embodiment.

FIG. 10 is a block diagram showing a configuration of the de-interleaving device provided to the receiving side device in said embodiment.

25 FIG. 11 is a block diagram showing a configuration of the error protection device relating to the second embodiment of the present invention.

FIG. 12 is a block diagram showing a configuration of the error protection device relating to the third embodiment of the present invention.

F0263/3009

5

FIG. 13 is a block diagram showing a configuration of a prior art error protection device.

Best Mode for Carrying Out the Invention

5

Following is a description of embodiments of the present invention, presented with reference to drawings.

A. First Embodiment

(1) The Error Protection Device

10 FIG. 1 is a block diagram showing a configuration of an error protection device relating to the first embodiment of the present invention.

This error protection device is provided inside or connected downstream to an encoder that performs compression encoding of voice signals.

15 Sample sequences of voice signals to be transmitted can be produced at any time by this encoder. In addition, as shown in FIGS. 2A and 2B, compression encoding of sample sequences of voice signals belonging to the various frame cycles is performed, with a fixed frame cycle as a processing unit, producing a plurality of types of parameters. Here, the volume of data of the parameter groups formed varies for each frame cycle.

20 With respect to the various parameter groups, the error protection device relating to the present embodiment performs error protection appropriate for each parameter and performs their outputting.

25 As shown in FIG. 1, the error protection device relating to the present embodiment possesses a frame-forming data computing part **101**, a frame-forming data error protection processing part **102**, a class data error correction processing part **103**, and a synthesizer **104**.

The frame-forming data computing part **101** serves primarily to perform the next processing.

a. Class Division of Parameter Groups

F0263/3009

6

5 The parameters produced by the encoder include some with high error sensitivity and some with low error sensitivity. Here, since parameters with high error sensitivity have a low acceptable residual error ratio, it is recommendable to reduce the residual error ratio on the receiving side by implementing encoding by means of an error-correcting code with a high encoding ratio. On the other hand, with regard to parameters with low error sensitivity, there should be no need for error correction encoding at such a high encoding ratio. Furthermore, depending on the parameter, there will be some cases where it is sufficient simply to add an error detection code, rather than to perform such error correction encoding. Moreover, some of these parameters are to be interleaved, and some are not. Thus, different error protection methods are to be applied to different cases, depending on the type of parameter.

10 Accordingly, in the present embodiment, parameters produced by the encoder are sorted into classes according to the error protection method to be applied in each case. In addition, in the error protection device shown in FIG. 1, the frame-forming data computing part **101** performs the sorting into classes.

15 In the example shown in FIG. 1, n classes are prepared, from class 1 to class n . The type of error protection applied to the parameters belonging to these classes is determined beforehand in the transmission side device. Furthermore, the type of parameters belonging to the classes is also determined beforehand. Furthermore, it is also possible to modify as desired the content of the error protection applied to the various classes by means of the transmission side device. The frame-forming data computing part **101** judges the class belonging to each parameter formed by the encoder according to the type of each parameter, by following the decision criteria in the transmission side device. It should be noted that for the sake of convenience, the parameters that have been attached to the various classes by sorting should hereinafter be referred to as the class data of each class.

20
25
b. Production of Frame-Forming Data

F0263/3009

7

The frame-forming data computing part **101** determines the total number of bits of the parameters produced by the encoder within 1 frame cycle, and outputs the data $Cb_1 - Cb_n$, indicating the number of bits of class data of each class 1- n .

5 Furthermore, in addition to outputting the data $Cb_1 - Cb_n$, indicating the number of bits of class data of each class, the frame-forming data computing part **101** also outputs the data $CC_1 - CC_n$, indicating the error protection content applied to the class data of each class.

10 Each of the data $CC_1 - CC_n$ includes, for example, an encoding algorithm for error encoding and data as to whether or not interleaving was performed and the type of the interleaving if performed.

Moreover, the frame-forming data computing part **101** outputs the data $ECR_1 - ECR_n$, indicating an encoding rate in cases where error correction is implemented for class data of each class 1- n . The data $ECR_1 - ECR_n$ is determined based on a residual error ratio for class data of each class.

15 Moreover, the frame-forming data computing part **101** outputs the data $EDB_1 - EDB_n$, indicating the number of bits of an error detection code in cases where an error detection code (e.g., bits of cyclic redundancy code) is added to class data for each class 1- n . The number of these bits is determined based on the error sensitivity of the class data of each class.

20 For example, in cases where the error sensitivity of the class data of a class is low, and it is conceivable that even though a bit error occurs, the effect on the receiving side would be low, so the number of bits of the error detection code for that class is set at zero. On the other hand, in cases where a class data bit error occurs when it is conceivable that the effect on the receiving side would be high, then the
25 number of bits of the error detection code for that class is determined in reference to the number of bits to be protected (i.e., the number of bits of that class).

The data $Cb_1 - Cb_n$, $CC_1 - CC_n$, $ECR_1 - ECR_n$, and $EDB_1 - EDB_n$ output accordingly by the frame-forming data computing part **101** are all data pertaining to

F0263/3009

8

the class that forms the frame, and are thus generically referred to as frame-forming data.

Next, the frame-forming data error protection processing part **102** performs specified error correction with respect to the frame-forming data output by the frame-forming data computing part **101**, that is to say, it performs error correction of a type that is predetermined with the recipient. In this case, the frame-forming data error protection processing part **102** can perform error correction encoding of frame-forming data, or it can simply add an error detection code.

The class data of the classes sorted into classes 1- n by the frame-forming data computing part **101** are supplied to the class data error protection processing part **103**. FIG. 2C shows examples of such class data. The class data error protection processing part **103** performs on the received class data of each class error correction encoding of the type designated in the frame-forming data, or it adds an error detection code to class data of each class 1- n .

That is to say, in cases where error correction encoding is to be performed on the class data of a certain class k , through the use of an encoding algorithm designated by the data CC_k , the class data error protection processing part **103** executes error correction encoding of said class data by said encoding algorithm, at an encoding ratio designated by the data ECR_k corresponding to said class k . Furthermore, in cases where the data EDB_k corresponding to some class k is not 0, the class data error protection processing part **103** generates an error detection code with the number of bits designated by the data EDB_k from the class data of said class k , and adds it to said class data.

The synthesizer **104** gathers the frame-forming data that has undergone error protection by the frame-forming data error protection processing part **102** and the class data that has undergone error correction by the class data error protection processing part **103**, synthesizes them, and transmits them to the receiving side device via the transmission pathway.

F0263/3009

9

Among the classes 1 to n there are classes that have been designated for interleaving. Interleaving for these classes is performed by this synthesizer **104**. The following two types of interleaving methods are available for cases such as this.

- a. The arrangement of bits into each class designated for interleaving;
- 5 b. The bits belonging to the class designated for interleaving are scattered and arranged in the bit sequence of another class.

The data CC_k corresponding to class k designates which type of interleaving is performed. Furthermore, regarding class k in performing interleaving according to method b, the other class (e.g., class j) with which the bits forming said class k are scattered and arranged, is designated by the data CC_k .

It should be noted that a detailed description will ensue regarding the device for interleaving according to method b.

The frame-forming data that has undergone error protection is added to the classes as headers, and the variable length frames formed from the headers and parameters are transmitted to the receiving side device via the transmission pathway.

It should also be noted that the frame-forming data, instead of being transmitted as headers, can also be transmitted to a receiving side device via communication channels that differ from those over which the frames formed from the class data of the various classes are transmitted.

20 (2) The Receiving Side Device

As shown in FIG. 3, the receiving side device is a device formed from a separator **105**, a frame-forming data error protection processing part **106**, a de-interleaving device **107**, and a class data error protection processing part **108**, and located upstream from the decoder.

25 The separator **105** separates the frames that are output by the synthesizer **104** of the transmission side into frame-forming data and class data.

The frame-forming data error protection processing part **106** carries out error correction decoding or error detection for the frame-forming data output from the separator **105**. Processing that is performed by this frame-forming data error

F0263/3009

10

protection processing part **106** corresponds to the processing performed by the frame-forming data error protection processing part **102** of the transmission side. That is to say, in cases where the frame-forming data error protection processing part **102** of the transmission side performs the encoding of frame-forming data by means of a specified error-correcting code, this frame-forming data error protection processing part **106** performs on the frame-forming data an error-decoding corresponding to said error-correcting code. Furthermore, in cases where the frame-forming data error protection processing part **102** of the transmission side adds an error detection code of a specified number of bits to the frame-forming data, this frame-forming data error protection processing part **106** employs the error detection code to detect errors in the frame-forming data.

The frame-forming data error protection processing part **106** outputs frame-forming data for which error correction decoding or error detection has been completed.

The de-interleaving device **107** performs de-interleaving on class data that has been interleaved, making reference to the data $CC_1 - CC_n$ among this frame-forming data.

That is to say, in cases where it has been determined from the data CC_k corresponding to the class k that there has been interleaving of the type that arranges bits into said class k , the de-interleaving device **107** performs the reverse operation of arranging those bits, and restores the class data to its original state prior to the bit arrangement.

Furthermore, in cases where it has been determined from the data CC_k corresponding to the class k that there has been interleaving of the type that scatters the bits forming said class k and arranges them within a bit sequence of another class j , the de-interleaving device **107** removes the bits corresponding to class k from the bit sequence of class j , and restores the class data of classes k and m to the state prior to the interleaving.

F0263/3009

11

The device for executing the latter type of de-interleaving is described in detail below.

The de-interleaving device **107** supplies the de-interleaved class data for each class to the class data error protection processing device **108**.

5 The data needed for class data error correction decoding or error detection, such as the number of bits of each class, the encoding ratio of each class, the number of bits of each class error detection code, the encoding algorithm of each class, and the like, are supplied from the frame-forming data error protection processing part **106** to this class data error protection processing device **108**.

10 The class data error protection processing part **108** implements error correction decoding or error detection for each class data, in accordance with these data, and delivers the class data that has been processed to the decoder.

15 If the error protection device relating to the present embodiment is employed as described above, it is possible to respond with flexibility to changes in the error protection content to be applied to each class, since the configuration is such that it is separated into a device that generates frame-forming data indicating the content of the error protection to be applied to each class that is obtained through the sorting of the parameters, and a device that performs error protection corresponding to each class, in accordance with this frame-forming data.

20 Furthermore, according to the present embodiment, since the frame-forming data containing data indicating the content of the error protection to be applied to each class is transmitted from the transmission side to the receiving side device, the content of the error protection to be applied to each class as indicated by the frame-forming data is determined by the receiving side device. It is thus possible to perform error correction decoding, error detection, or de-interleaving of the class data.

25 Therefore, there is no need to fix the content of the error protection to be applied to each parameter that is transmitted, and it becomes possible to transmit frames, switching the error protection content between the transmission side device and the receiving side device, as expediency may dictate. In addition, since the receiving

F0263/3009

12

side device is informed of said configuration by means of the frame-forming data, it is possible for the receiving side device to properly execute error correction decoding, error detection, or de-interleaving of class data for each class, even if the frame has a variable frame length, with the number of bits fluctuating over time.

5 (3) The Interleaving Device and the De-Interleaving Device

FIG. 4 is a block diagram showing an example of a configuration of an interleaving device provided to the synthesizing device **104** of the transmission side in said embodiment.

10 This interleaving device is a device that performs interleaving by scattering the bits forming the class data of a class k , arranging them within the bit sequence of the class data of another class j .

Here, in the case where the bit sequence of class data of class k is D_k , and the bit sequence of the class data of class j is D_j , the bits forming the bit sequences D_k and D_j are supplied to the interleaving device synchronously with the bit clock CLK .

15 As shown in FIG. 4, this interleaving device includes as primary structural elements a writing address supply part **510**, an operating memory **520**, and a reading address supply part **530**.

20 Here, the operating memory **520** is a storage device for storing the bit sequences D_k and D_j which are to be interleaved. In the present embodiment, a plurality of storage areas with continuous addresses are selected for use from all of the storage areas of the operating memory **520**, and the bits are stored in their respective storage areas.

It should be noted that in the following discussion, the bit sequence D_k of class k is formed from p bits, and the bit sequence D_j is formed from $m \times p$ bits.

25 Interleaving consists of the process of sequential writing of the bits of the bit sequences D_k and D_j to the operating memory **520**, and the process of reading the bits from this operating memory **520** in a sequence that differs from when they were written.

F0263/3009

13

The writing address supply part **510** is a device that executes a specified address-generating program in order to generate synchronously with the time clock **CLK** the writing address **WAD_h** that specifies the writing destination of the bits forming the bit sequence **D₁**, and the writing address **WAD_d** that specifies the writing destination of the bits forming the bit sequence **D₀**, and supplies them to the operating memory **520**, when the bits are written to the operating memory **520**.

Furthermore, when all of the writing addresses needed for writing the bits into the operating memory **520** are no longer being generated, the END symbol indicating this is supplied to the reading address part **530**.

The reading address supply part **530** is a device that generates the reading address **RAD** for reading the bits recorded in the operating memory **520**, generating it synchronously with the bit clock **CLK** by executing a specified address-generating program when the END symbol is received, and supplies the reading address **RAD** to the operating memory **520**.

FIG. 5 is a block diagram showing the address-generating algorithms executed by the writing address supply part **510** from the standpoint of hardware.

The address-generating algorithm according to this writing address supply part **510** is formed from a p -scale counter **510A**, a p -scale counter **510B**, an m -scale counter **510C**, an AND gate **510D**, and an adder **510E**. Here, the p -scale counter **510A** counts the bit clock **CLK**. The writing address **WAD_h** for the bits forming the bit sequence **D₁**, has a lower address with a counter value of the p -scale counter **510A**, and an upper address designated as "0".

The p -scale counter **510A** stops the counting of the bit clock **CLK** when the count value changes p number of times, yielding a count-over.

The AND gate **510D** supplies the bit clock **CLK** to the m -scale counter **510C**, after the p -scale counter **510A** yields a count-over.

The m -scale counter **510C** carries out counting of the bit clock **CLK** supplied via this AND gate **510D**. The count value of the m -scale counter **510C** yields a count-over when it changes m times, but after that, as long as the bit clock **CLK** is

F0263/3009

14

supplied, the count is repeated again from the initial value "0". The p -scale counter **510B** adds counting values "1" at a time each time the m -scale counter **510C** yields a count-over. The adder **510E** adds "1" to the count value of the m -scale counter **510C** and transmits the result.

5 The writing address **WADd** that specifies the writing destination of the bits forming the bit sequence **D_o** is such that the count value of the p -counter **510B** is a lower address and the output data of the adder **510E** is an upper address.

10 FIG. 6 is a block diagram showing a sample configuration of the reading address supply part **530**. This reading address supply part **530** is formed from a p -scale counter **530A** and an $(m+1)$ -scale counter **530B**. The $(m+1)$ -scale counter **530B** carries out counting for the bit clock **CLK**. The p -scale counter **530A** increments its counter value by "1" each time the count of the $(m+1)$ -scale counter **530B** changes $m+1$ times and returns to the initial value "0".

15 The read address **RAD** is such that the count value of this p -scale counter **530A** is a lower address, and the count value of the $(m+1)$ -scale counter **530B** is an upper address.

The above is a detailed description of the configuration of the interleaving device.

20 Following is a description of interleaving implemented by this interleaving device, with reference to FIG. 7 and FIG. 8.

In this interleaving device, interleaving is implemented by using $(m+1) \times p$ continuous storage areas in the operating memory **520**.

25 FIG. 7 and FIG. 8 show the storage area for interleaving expressed as a two-dimensional memory space. The various individual addresses correspond to the storage areas in this memory space. An address is formed from a lower address which can take p combinations of values, and an upper address which can take $(m+1)$ combinations of values.

In FIG. 7 and FIG. 8, the storage areas which are to have identical upper addresses are arranged from left to right in lower address order, and the storage

F0263/3009

15

areas which are to have identical lower addresses are arranged from top to bottom in upper address order. As stated above, a series of storage areas with identical upper addresses shall be called rows, and a series of storage areas with identical lower addresses shall be called columns.

5 In implementing interleaving, first of all, the bit sequences that are to be interleaved are written sequentially, each in their respective $m \times n$ storage areas, one bit at a time. When this writing is executed, the writing addresses are generated by the writing address supply part **510** described above with reference to FIG. 5.

10 While the p bits forming the bit sequence D_1 are being supplied to the operating memory **520** synchronously with the bit clock CLK , the bit clock CLK counting is carried out according to the p -scale counter **510A** in the writing address supply part **510**. Also, the writing address $WADh$ is generated, containing the count value of the p -scale counter **510A** as a lower address, and "0" as an upper address, and it is supplied to the operating memory **520** synchronously with the bit clock CLK .

15 Consequently, as shown in FIG. 7, the p bits forming the bit sequence D_1 are written into the initial row within the storage area of the operating memory **520** for interleaving.

Next, following the bit sequence D_1 , the $m \times p$ bits forming the bit sequence D_0 are supplied to the operating memory **520** synchronously with the bit clock CLK .

20 In the meantime, the counting of the bit clock CLK is carried out by the m -scale counter **510C** in the writing address supply part **510**, and in addition, a count value increment of the p -scale counter **510B** is executed each time the m -scale counter **510C** yields a count-over. Moreover, a writing address $WADd$ is generated that contains the count value of the p -scale counter **510B** as a lower address, and a
25 "1" added to the count value of the m -scale counter **510C** as an upper address, and this writing address is supplied to the operating memory **520** synchronously with the bit clock CLK .

Consequently, as shown in FIG. 7, the initial m bits from among the $m \times p$ bits forming the bit sequence D_0 are written into each storage area corresponding to the

F0263/3009

16

($m+1$)th row, from the second row of the first column, and into the operating memory 520, and then the m bits are written into each storage area corresponding to the ($m+1$)th row, from the second row of the second column, and so forth, until the final m bits (i.e., the p th bit) are written into each storage area corresponding to the ($m+1$)th row, from the second column of the p th column.

Next, the bits that are thusly written into the operating memory 520 are read in a sequence that differs from when they were written.

In this reading operation, reading addresses are generated by the reading address supply part 530 described with reference to FIG. 6.

That is to say, the counting of the bit clock CLK is carried out by the ($m+1$)-scale counter 530B, and in addition, a count value increment with a count value of "1" only of the p -scale counter 530A is executed each time the ($m+1$)-scale counter 530B yields a count-over. Moreover, a reading address that contains the count value of the p -scale counter 530A as a lower address, and the count value of the ($m+1$)-scale counter 530B as an upper address is supplied to the operating memory 520 synchronously with the bit clock CLK .

Consequently, as shown in FIG. 8, first of all, the ($m+1$) bits recorded in each storage area of the first column in the operating memory 520 are read, and then the ($m+1$) bits recorded in each storage area of the second column are read, and so forth, until finally, the ($m+1$) bits recorded in each storage area of the p th column are read.

Due to the above-described interleaving, the p bits forming the bit sequence D_1 , are scattered and arranged at equal intervals within the bit sequence D_0 , as shown in FIGS. 9A and 9B.

The above was a detailed description of the interleaving device.

Following is a description of the de-interleaving device provided to the receiving side device.

FIG. 10 is a block diagram showing a configuration of this de-interleaving device.

F0263/3009

17

When interleaving has been implemented in the transmission side device by scattering the bits forming the class data of class k , arranging them within the bit sequence of the class data of another class j , this de-interleaving device restores the class data of the un-interleaved class by removing the bits of the class data of class k from the bit sequence of the class data of class j .

To this de-interleaving device are supplied, synchronously with the bit clock CLK , the $(m+1) \times p$ bits forming the bit sequence D_k of the class data of class k and the bit sequence D_j of the class data of class j .

This de-interleaving device comprises a writing address supply part **610**, an operating memory **620**, and a reading address supply part **630**.

Here, the operating memory **620** is a storage device similar to the operating memory **520** in the interleaving device **1**.

De-interleaving consists of the process of writing these supplied bits to the operating memory **620**, and the process of reading these bits from the operating memory **620** in a sequence that differs from when they were written.

While the bits forming the received frame are being supplied to the operating memory **620** synchronously with the bit clock CLK , the writing address supply part **610** executes a specified address-generating program to generate the writing address WAD , supplying it to the operating memory **620** synchronously with the bit clock CLK .

This writing address supply part **610** possesses a configuration identical to that of the reading address supply part **530** in the interleaving device (see FIG. 6).

Moreover, in the case of this writing address supply part **610**, the counting of the bit clock is carried out by the $(m+1)$ -scale counter, and in addition, the p -scale counter increments its counter value by "1" each time the $(m+1)$ -scale counter yields a count-over. Moreover, a writing address WAD that contains the count value of the p -scale counter as a lower address, and the count value of the $(m+1)$ -scale counter as an upper address is supplied to the operating memory **620** synchronously with the bit clock.

F0263/3009

18

Consequently, as shown in FIG. 8, the initial $(m+1)$ bits are written to each storage area of the first column in the operating memory **620**, and then the $(m+1)$ bits are written into each storage area of the second column, and so forth, until the final $(m+1)$ bits (i.e., the p th bit) are written into each storage area of the p th column.

5 The placement of each bit in the operating memory **620** at this time is in agreement with the position of these bits when they are written to the operating memory **620** of the interleaving device prior to being transmitted from the transmission side device.

10 When the process of writing all of the bits forming the received frame to the operating memory **620** is completed, the END signal indicating this is supplied to the reading address supply part **630** from the writing address supply part **610**.

This reading address supply part **630** possesses a configuration identical to that of the writing address supply part **510** in the interleaving device (see FIG. 5).

15 Moreover, in the case of this reading address supply part **630**, the counting of the bit clock **CLK** is carried out by the p -scale counter. Moreover, a reading address **RADh** that contains the count value of the p -scale counter as a lower address, and "0" as an upper address is generated, and supplied to the operating memory **620** synchronously with the bit clock.

20 Consequently, as shown in FIG. 7, the p bits forming the bit sequence **D_i** are read from each storage area corresponding to the initial row in the operating memory **620**.

25 Next, in the case of the reading address supply part **630**, the counting of the bit clock **CLK** is carried out by the m -scale counter, and in addition, a count value increment with a count value of the p -scale counter is executed each time the m -scale counter yields a count-over. Moreover, a reading address **RADd** that contains the count value of the p -scale counter as a lower address, and the count value of the m -scale counter plus "1" as an upper address is generated and supplied to the operating memory **620** synchronously with the bit clock **CLK**.

F0263/3009

19

Consequently, as shown in FIG. 7, the initial m bits from among the $m \times p$ bits forming the bit sequence D_o are read from each storage area corresponding to the $(m+1)$ th row from the second row of the first column in the operating memory 620. Then, the following m bits are read from each storage area corresponding to the $(m+1)$ th row from the second row of the second column in the operating memory 620, and the following m bits are read from each storage area corresponding to the $(m+1)$ th row from the second row of the third column, and so forth, until the final m bits (i.e., the p th bit) are read from each storage area corresponding to the $(m+1)$ th row from the second row of the p th column.

Accordingly, the de-interleaving device performs an operation that is completely the reverse of the interleaving performed in the case of the interleaving device, and restores the original un-interleaved frame.

It should be noted that in the example above, although the case where the bit sequence D_k of class k is formed from p bits and the bit sequence D_o of class j is formed from $m \times p$ bits is explained, the case where the number of bits of the bit sequence D_o is not an integer multiple of p is also possible. In this case, for example, it is possible to employ a method such that dummy bits are added to the bit sequence D_o to form a bit length that is an integer multiple of the bit length, and then removing the dummy bits after interleaving is completed.

Moreover, the configurations of the devices for interleaving and de-interleaving described above are, in any case, examples, and devices capable of performing the interleaving and de-interleaving needed in the present embodiment are not limited thereto.

In addition to the above-described basic embodiment, interleaving can be implemented in a variety of embodiments, examples of which are given below. In any case, it is possible to adapt to different circumstances by repeated use of the interleaving device described above. The same applies to the de-interleaving that is needed when various types of interleaving are implemented.

F0263/3009

20

① When, for example, classes 1-3 are classes that are to be interleaved, and classes 4-6 are classes that are not to be interleaved, the bits of the class data of class 1 are scattered and arranged in the bit sequence of the class data of class 4, the bits of the class data of class 2 are scattered and arranged in the bit sequence of the class data of class 5, and the bits of the class data of class 6 are scattered and arranged in the bit sequence of the class data of class 6.

② When, for example, classes 1-3 are classes that are to be interleaved, and classes 4-6 are classes that are not to be interleaved, the bits of the class data of class 1 are scattered and arranged in the bit sequence of the class data of class 4, and then the bits of the class data of class 2 are scattered and arranged in the resulting bit sequence, and then the bits of the class data of class 3 are scattered and arranged in the resulting bit sequence.

A. Second Embodiment

Following is a description of the error protection device relating to the second embodiment of the present invention.

In the first embodiment described above, in cases where a plurality of frames are sequentially delivered to the transmission pathway, it often happens that among the frame-forming data are identical items that exist throughout the frames. For example, the number of bits forming the various classes fall into a number of categories in the various frames, but the encoding ratio of the various classes and the number of error detection bits of the various classes are fixed in the various classes. Accordingly, as in the first embodiment described above, when the fixed data is transmitted to each frame as frame-forming data, the number of bits delivered to the transmission pathway from the synthesizer 104 will increase and be wasted.

Accordingly, in the error protection device relating to this second embodiment, the fixed data among the frame-forming data are sent only at the beginning of the transmission.

FIG. 11 is a block diagram showing this configuration.

F0263/3009

21

In the figure, a fixed data computing part **201** computes the common fixed data in each frame among the frame-forming bits, and this fixed data is transmitted to the receiving side device at the beginning of the transmission. Transmission of this fixed data is accomplished through the use of a telecommunications channel separate from that used for the frames.

Specifically, the fixed data of the present embodiment are the data $ECR_1 - ECR_n$, indicating the encoding ratio of the error-correcting code applied to each class, and the data $EDB_1 - EDB_n$, indicating the number of bits of the error detection code applied to each class. Furthermore, the fixed data is preferably configured so that the other side will be sure to receive it, using ARQ (automatic repeat request) or the like.

Next, a fixed data storage part **202** is a device for storing fixed data output by the fixed data computing part **201**.

A frame-forming data error protection processing part **102'** removes the fixed data stored in the fixed data storage part **202** from the frame-forming data output by the frame-forming data computing part **101**, and executes a specified error protection (error correction encoding, the addition of an error detection code, or both) on the remaining frame-forming data. That is to say, the frame-forming data error protection processing part **102'** executes error protection only for the data $CB_1 - CB_n$ and $CC_1 - CC_n$, out of the frame-forming data output by the frame-forming data computing part **101**.

The class data error protection processing part **103'** performs error correction encoding at an encoding ratio specified by the data $ECR_1 - ECR_n$, which are fixed data stored in the fixed data storage part **202**, or adds an error detection code of a number of bits specified by the data $EDB_1 - EDB_n$, to the class data of the classes 1- n .

The synthesizer **104** gathers the frame-forming data other than the fixed data that has undergone error protection by the frame-forming data error protection processing part **102'** and the class data that has undergone error protection by the class data error protection processing part **103'**, synthesizes them, and transmits

F0263/3009

22

them to the recipient via the transmission pathway. It should be noted that the interleaving that is performed on the class data in this synthesizer **104** is of the same type as in the first embodiment.

As described above, in the present embodiment, the fixed data (the data **5** $ECR_1 - ECR_n$, $EDB_1 - EDB_n$) of the frame-forming data are sent only at the beginning of the transmission, while during the transmission, the frame-forming data other than the fixed data (the data $CB_1 - CB_n$, $CC_1 - CC_n$) are sent in each frame.

The receiving side device receives the fixed data at the beginning of the transmission, after which is received the data output by the synthesizer **104**. Then, **10** the configuration of the frame of the received data is determined according to the fixed data initially received and the frame-forming data other than the fixed data received thereafter. That is to say, the encoding ratio of the classes, as well as the number of error detection bits of the classes are determined by fixed data, and moreover, the number of bits of each class, as well as the encoding algorithm of **15** each class, presence or absence or type of interleaving, are determined by frame-forming data other than the fixed data. Therefore, in accordance with these data, data other than the frame-forming data among the received data, i.e., the data that has undergone error correction by the class data error protection processing part **103'**, is decoded, making it possible to restore the original data.

20 In accordance with the present embodiment, the fixed data that is common to all the frames is sent only at the beginning of the transmission, rather than at every frame, thereby making it possible to refrain from adding an additional number of bits to be sent from the synthesizer **104** to the transmission pathway.

It should be noted that, with regard to fixed data, although the case of the **25** data $ECR_1 - ECR_n$, indicating the encoding ratio of each class, and the case of the data $EDB_1 - EDB_n$, indicating the error detection bit number of each class have been described, the second embodiment is not limited thereto. For example, if the data $CB_1 - CB_n$, indicating the number of bits forming each class are also fixed data, they can also be included as fixed data. In addition, if only either the data $ECR_1 - ECR_n$

F0263/3009

23

indicating the encoding ratio of each class, or the data $EDB_1 - EDB_n$, indicating the number of error detection bits of each class is fixed, those data alone can be used as fixed data.

B. Third Embodiment

5 Following is a description of the error protection device relating to the third embodiment of the present invention.

10 In the above-described first embodiment or second embodiment, the content of a portion of the frame-forming data is limited to several types. For example, there is the case where the encoding ratios for error correction encoding capable of being applied to the class data of some classes are only of a few types, or the case where the number of bits of error detection code to be added to the class data of some classes is limited to a few types. Accordingly, in cases where a portion of the content of frame-forming data is limited to a few types, it is thought that the number of bits sent to the transmission pathway will increase and be wasted, as in the first and second embodiments that have a configuration that sends each type of frame-forming data to each frame.

15 Accordingly, in the error protection device relating to the third embodiment, of the frame-forming data, the types that are limited by the encoding algorithm that is used, are transmitted by the following transmission methods.

- 20 a. Regarding frame-forming data of limited types, the frame-forming data of each of these types is sent at the beginning of the transmission, along with an identifier assigned to each.
- b. During transmission, the class data of each class that has undergone error protection is sent together with an identifier for designating the frame-forming data corresponding to each, and additional data.
- 25

FIG. 12 is a block diagram showing a configuration of an error protection device relating to the present embodiment.

In this figure, a fixed data transmission part **301** inputs the data that is to undergo error protection, and it also sends the frame-forming data of the type that

F0263/3009

24

are limited to the encoding algorithm that is used, as well as the identifier assigned to each, to the receiving side device, using a telecommunications channel separate from that used for the frames at the beginning of the respective transmissions.

5 For example, if out of the frame-forming data, the encoding ratios of the classes are limited to two types, then two types of data *ECR* indicating the content thereof, and two identifiers for identifying them are sent, and furthermore, if the error detection bit numbers of the classes are limited to two types, then two types of data *EDBR* indicating the content thereof, and two identifiers for identifying them are sent. It should be noted that it is desirable that these data be configured so that the other
10 side will be sure to receive it, using ARQ or the like.

The frame-forming data computing part *101* is of the same type as in the first and second embodiments. However, since the class configuration of the frames is not divergent, but limited, as discussed above, a portion of the frame-forming data will also be limited.

15 A frame-forming data converter *302* performs the following processing by storing the frame-forming data which is the transmission content of the fixed data transmission part *301* and the identifier assigned to each. That is to say, the frame-forming data converter *302* outputs additional data relating to what was sent at the beginning of the transmission, out of the frame-forming data according to the frame-forming data computing part *101*, and relating to what was not sent at the beginning
20 of the transmission, namely, what is substituted for the corresponding identifiers. That is to say, out of the frame-forming data, as regards what was sent at the beginning of the transmission and limited by the encoding algorithm that is used, it is not the data indicating the content, but rather, but what is substituted for the corresponding identifier, that is output, as well as other items as additional data.
25

The identifiers and an additional data error protection processing part *303* execute specified error correction with respect to the additional data and the identifiers from the frame-forming data converter *302*. At this time, an error detection code can be added to the configuration.

F0263/3009

25

On the other hand, as in the first embodiment, the class data error protection processing part **103** determines the error detection code and error-correcting code with respect to the classes 1-*n* separated by the frame-forming data computing part **101**.

5 Moreover, the synthesizer **104** gathers the additional data and the identifiers that have undergone error correction, along with the classes that have undergone error correction, synthesizes them, and transmits them to the recipient via the transmission pathway.

10 Thus, in the present embodiment, the frame-forming data of types that are limited by the encoding algorithms that are used and the identifiers assigned thereto are transmitted only in the beginning of the transmission, while during the transmission thereafter, the data of each class that has undergone error correction is transmitted along with the identifiers indicating their configurations and additional data.

15 Therefore, on the receiving side, with respect to those among the frame-forming data of types that are limited by the encoding algorithm that is used, the frame-forming data of these types and the identifiers assigned to each of them are received in the beginning of the transmission, so subsequently, when the data of classes 1-*n* is received along with the identifier and additional data, it becomes
20 possible to know the class configuration signified by that identifier. Moreover, the recipient receives additional data which was not sent with the initial transmission out of the frame forming data. It thus becomes possible to restore classes 1-*n* to the original data at the recipient's end.

25 In accordance with the present embodiment, regarding the frame-forming data that is of limited types, since it is not the data itself that indicates the content thereof, but the identifier assigned thereto that is transmitted, it becomes possible to greatly reduce the number of bits that are sent from the synthesizer **104** to the transmission pathway.

F0263/3009

26

It should be noted that in the embodiments described above, the frame-forming data error protection processing part **102'** in the second embodiment described above is replaced with the frame-forming data converter **302** and identifier and the additional data error protection processing part **303**, but the frame-forming data error protection processing part **102** of the first embodiment can also be replaced by the frame-forming data converter **302** and identifier and the additional data error protection processing part **303**. In this case, since fixed data is not sent, the frame-forming data converter **302** converts to an identifier that part of the data sent together with the identifier initially out of the frame-forming data output for each frame from the frame-forming data computing part **101**, and the other parts are output as additional data.

In addition, regarding the error protection device relating to the first through the third embodiments, in addition to the hardware-type configuration shown in the drawings, it is also possible to realize a configuration from a software standpoint. In order to realize a configuration from a software standpoint, it is possible to execute a program with the same operation as above, using a personal computer and a workstation.

Furthermore, in the error protection device relating to the first through the third embodiments, the frames are sorted by class according to the error sensitivity of various parameters, but the present application is not limited thereto, and the frames can apply widely to classes, that is to say, to blocks that are partitioned by slots and the like.

Moreover, the frame-forming data can also contain data indicating the configuration of the class, such as the number of bits of each class, as well as data indicating the position of each class.

F0263/3009

27

CLAIMS

1. An error protection method comprising the steps of:

sorting a plurality of types of parameters forming frames into a plurality of classes;

5 generating frame-forming data containing data establishing for each class an error protection method to be applied to each of said parameters and data relating to forming said frames;

executing specified error protection for said frame-forming data;

10 executing error protection that is specified for each class according to said frame-forming data, with respect to parameters sorted into the said plurality of classes; and

transmitting parameters that have undergone said error protection established for each said class and frame-forming data that have undergone said specified error protection.

15

2. An error protection method of Claim 1, wherein the data relating to the formation of said frames contains the number of bits of the parameters belonging to each class.

20

3. An error protection method of Claim 1, wherein the data that determines for each class the method of error protection to be applied to each said parameter containing an encoding ratio of an error-correcting code to be applied to the parameters belonging to each class, a number of bits of the error detection code, and at least one data relating to the execution of interleaving.

25

4. An error protection method of Claim 1, wherein fixed data common to each frame is determined from among the frame-forming data, and then sent at the

F0263/3009

28

beginning of the transmission, after which items removed from said fixed data are sent from the frame-forming data to each frame.

- 5 5. An error protection device of Claim 4, wherein said fixed data expresses a number of bits of the parameters belonging to each class, the encoding ratio of the error correction code applied to each class, and at least one bit numbers of the error detection code applied to each class.
- 10 6. An error protection method of Claim 1, wherein a portion of the frame forming information is restricted within a plurality of data, the method further comprising the steps of:
- a. transmitting a plurality of limited types of data relating to a portion of said frame-forming data and an identifier assigned to each, at the beginning of the transmission,
- 15 b. subsequently transmitting an identifier corresponding to said data, relating to items in agreement with each of the data transmitted together with said identifiers out of the frame-forming data generated for each frame, and transmitting other data as additional data.
- 20 7. An error protection device, said device comprising:
- a frame-forming data computing part that sorts a plurality of types of parameters forming frames into a plurality of classes, and then generates frame-forming data that includes data relating to the configuration of said frames and data establishing for each class an error protection method to be applied to said
- 25 parameters;
- a frame-forming data error protection processing part that performs specified error correction on said frame-forming data;

F0263/3009

29

a class data error protection processing part that implements error protection established for each class according to said frame-forming data, with respect to the parameters sorted into said plurality of classes; and

5 a synthesizing part that transmits parameters that have undergone error protection established for each said class and frame-forming data that have undergone said specified error protection.

8. An error protection method of Claim 7, wherein there is provided means for determining the data common to each frame from among the frame-forming data, and then sending at the beginning of the transmission;

10 said frame-forming data error protection processing part implements error protection for items with said fixed data removed from said frame-forming data for each frame; and

15 said class data error protection processing part implements error protection on the parameters belonging to each class, according to said fixed data or said frame-forming data.

9. An error protection device of Claim 7, further comprising:

20 means for sending a plurality of various types of limited data and identifiers corresponding thereto, regarding a portion of said frame-forming data at the time of transmission, in the case where a portion of said frame-forming data is in some way limited from among the plurality of types of data;

25 a frame-forming data converter that converts to the identifiers corresponding to the data, regarding a portion that is in agreement with any of the data sent together with said identifiers from out of the frame-forming data output to each frame from said frame-forming data computing part, and that outputs the other data as additional data; and

F0263/3009

30

means for implementing specified error protection on the identifiers or additional data output from said frame-forming data converter, instead of said frame-forming data error protection processing part.

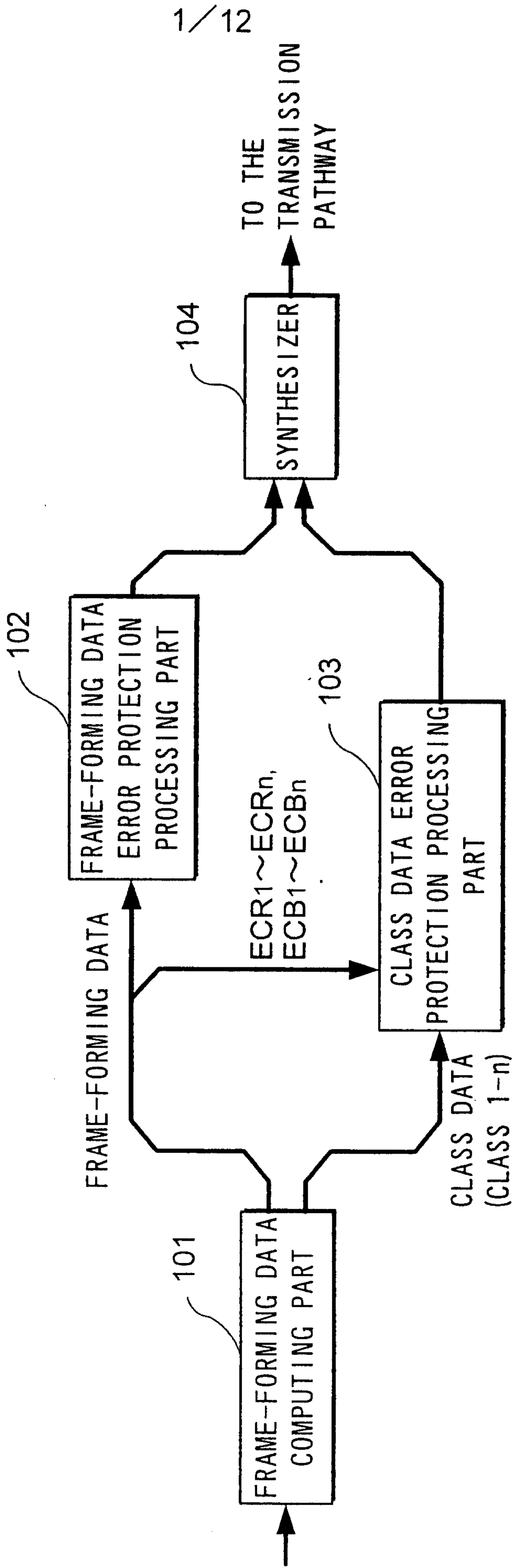
5 10. An error protection device of Claim 9, wherein there is provided means for
determining the data common to each frame from among said frame-forming data,
and then sending at the beginning of the transmission, said frame-forming data
converter removing said fixed data from the frame-forming data output to each frame
by said frame-forming data computing part, and regarding a portion that is in
10 agreement with any of the data sent together with said identifiers from out of the
frame-forming data output to each frame from said frame-forming data computing
part, and that outputs the other data as additional data.

15 11. An error protection device of Claim 7, wherein there is also provided an
interleaving device that performs the interleaving of parameters of each class that
has undergone error protection by said class data error protection processing part,
and said frame-forming data computing part outputs said frame-forming data that
contains data designating the content of the interleaving to be applied to each class,
and said interleaving device performs the interleaving of the parameters of each
20 class in accordance with this frame-forming data.

12. An error protection device of Claim 11, wherein said interleaving device
possesses means for scattering and arranging the bits forming the parameters of a
certain class into the bit sequence of the parameters of another class.

25

FIG. 1



F0263/3009

2/12

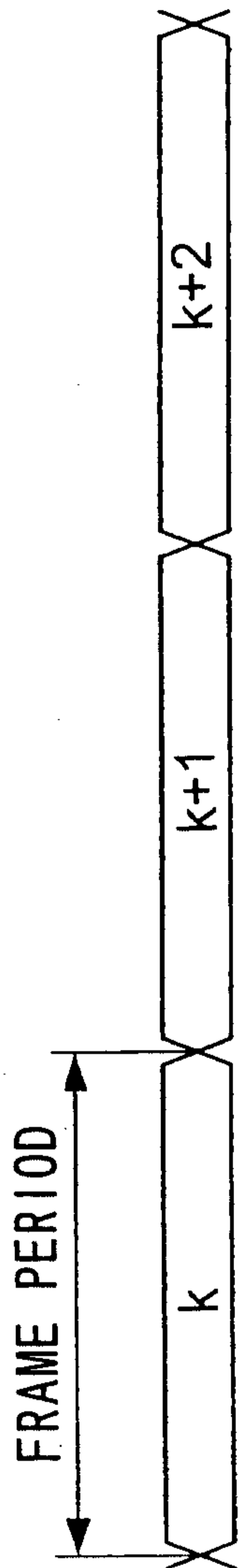


FIG. 2A VOICE SAMPLE



FIG. 2B PARAMETER GROUPS

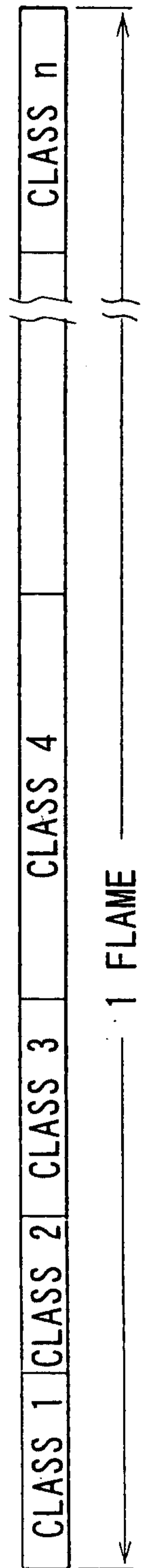
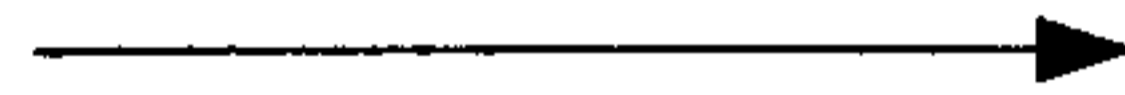


FIG. 2C

FIG. 3

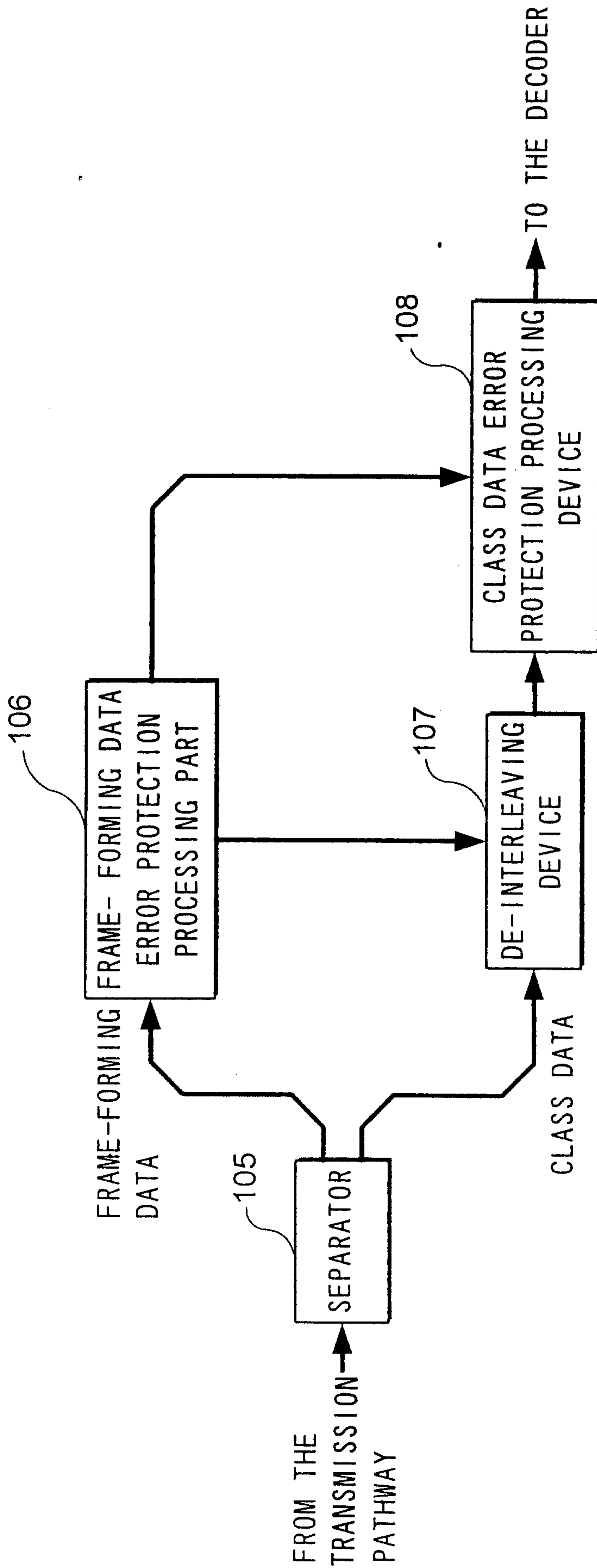


FIG. 4

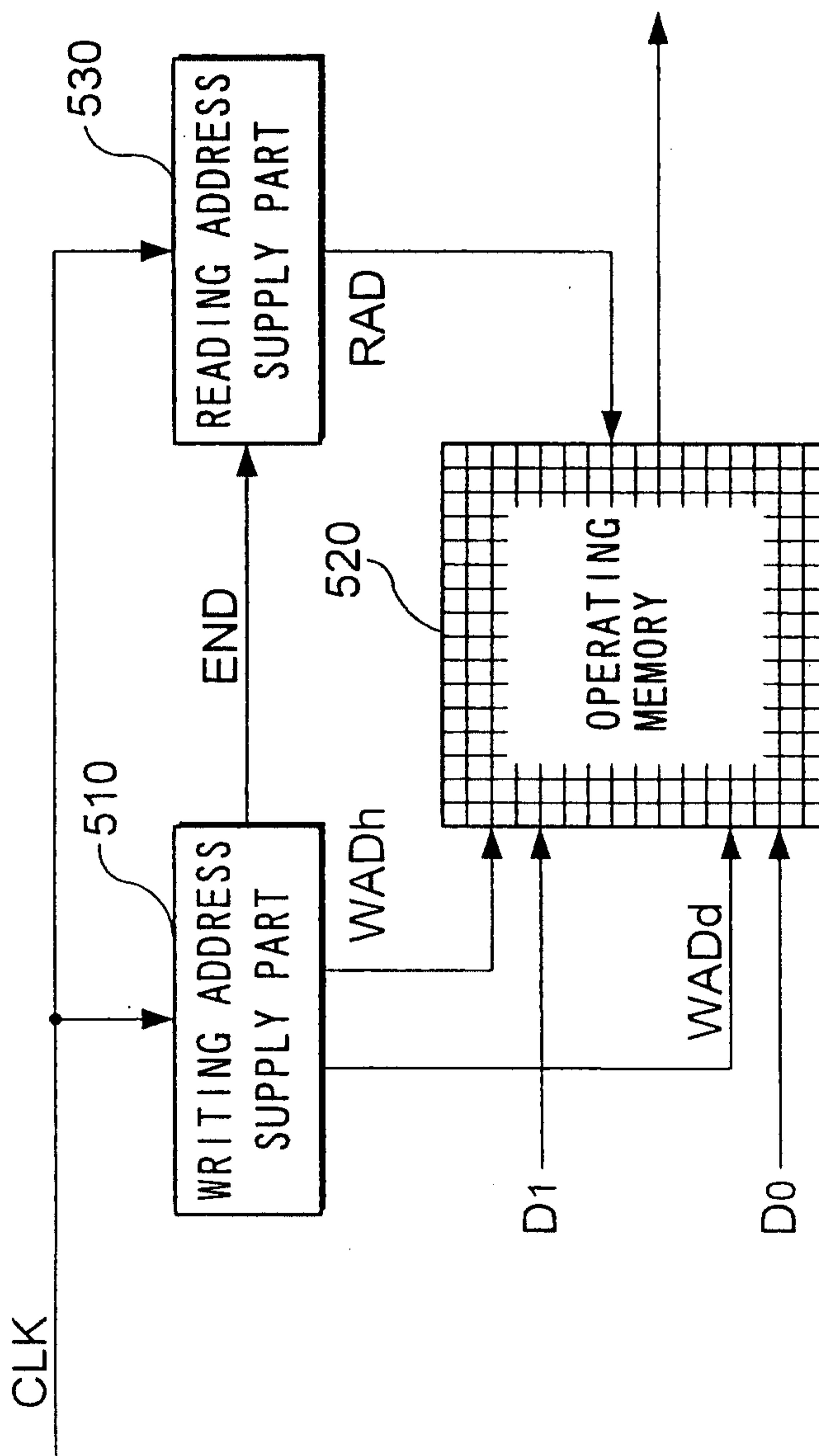


FIG. 5

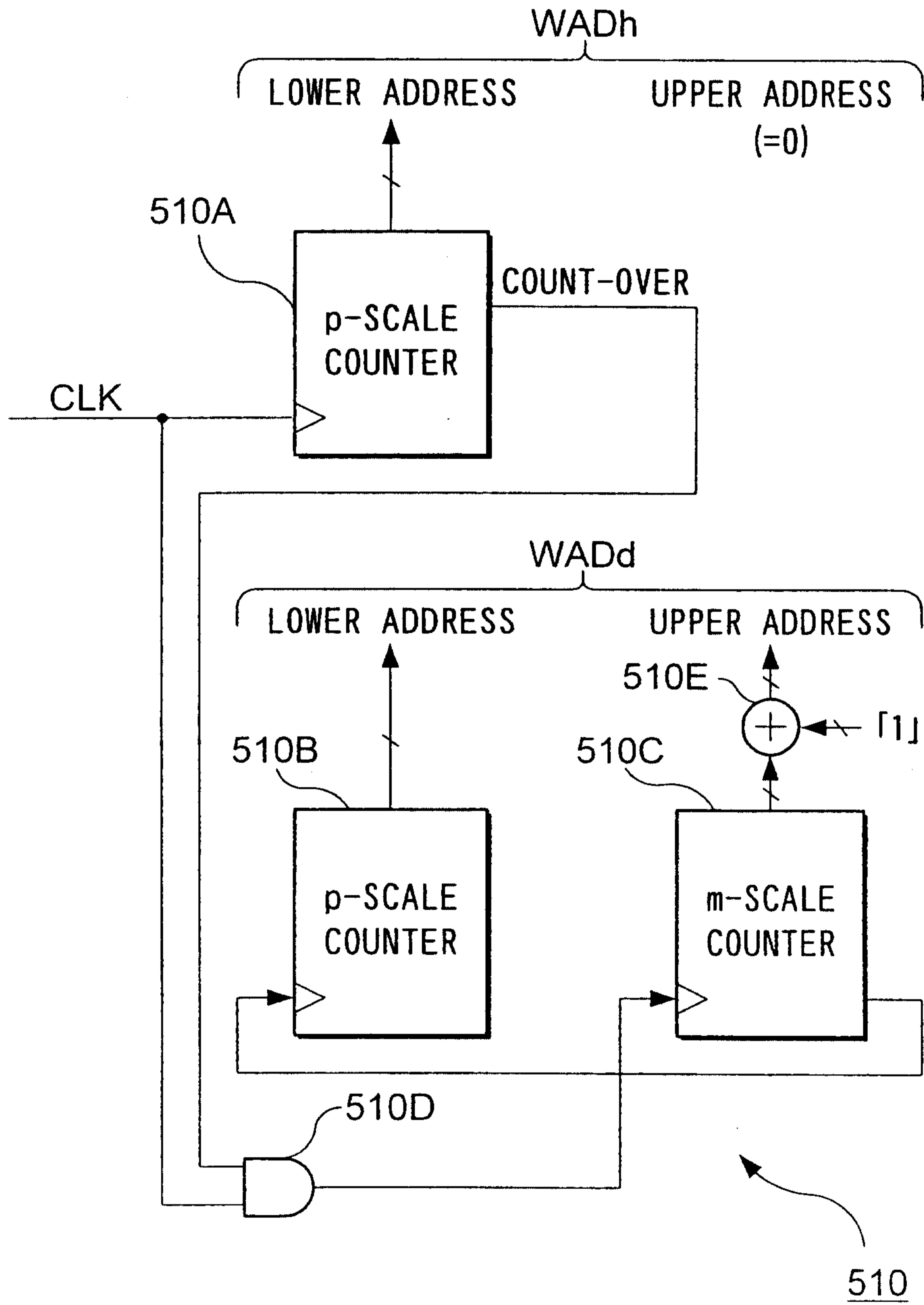
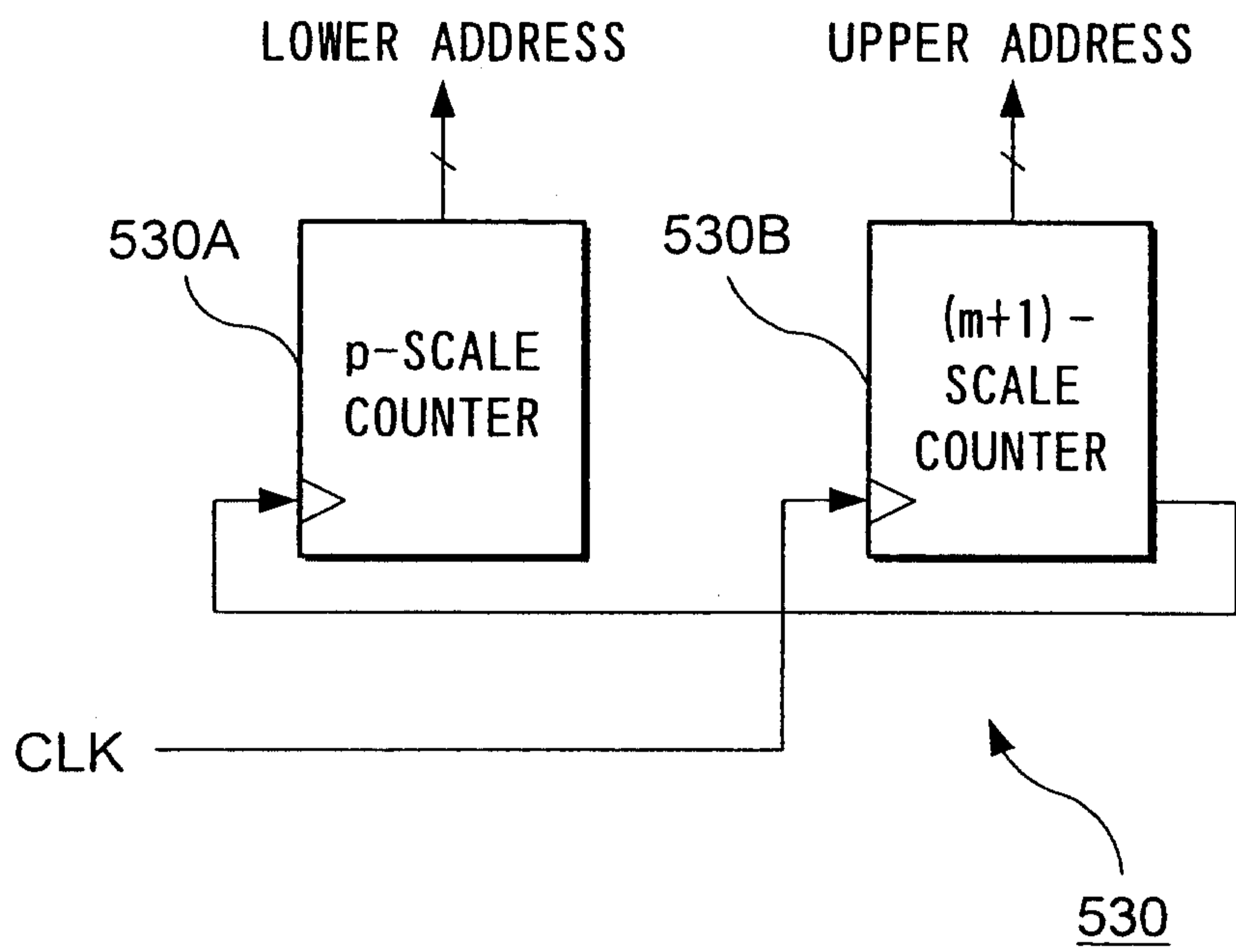


FIG. 6



F0263/3009

7/12

FIG. 7

WRITING ORDER AT THE TIME OF INTERLEAVING
 (READING ORDER AT THE TIME OF DE-INTERLEAVING)

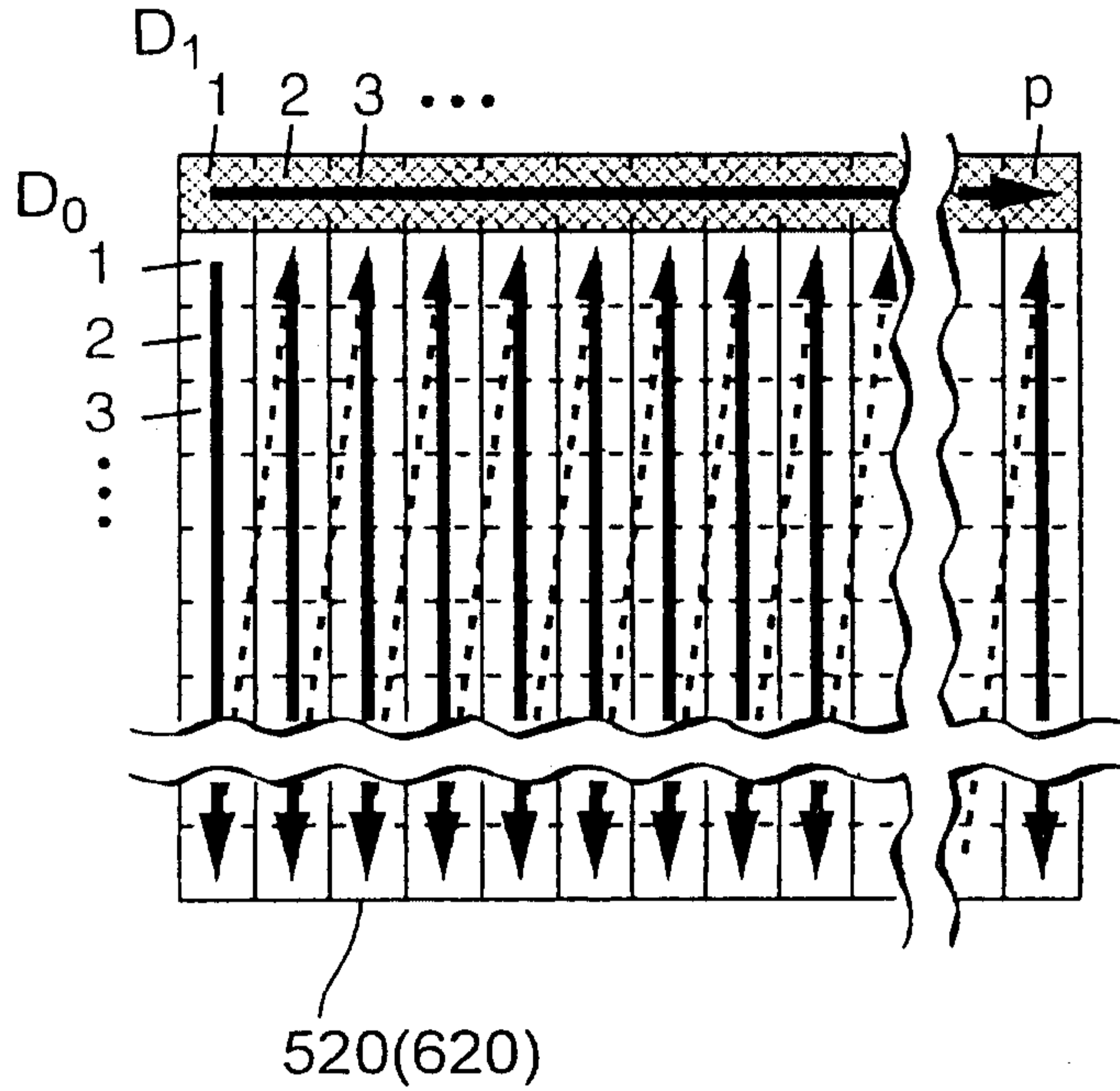
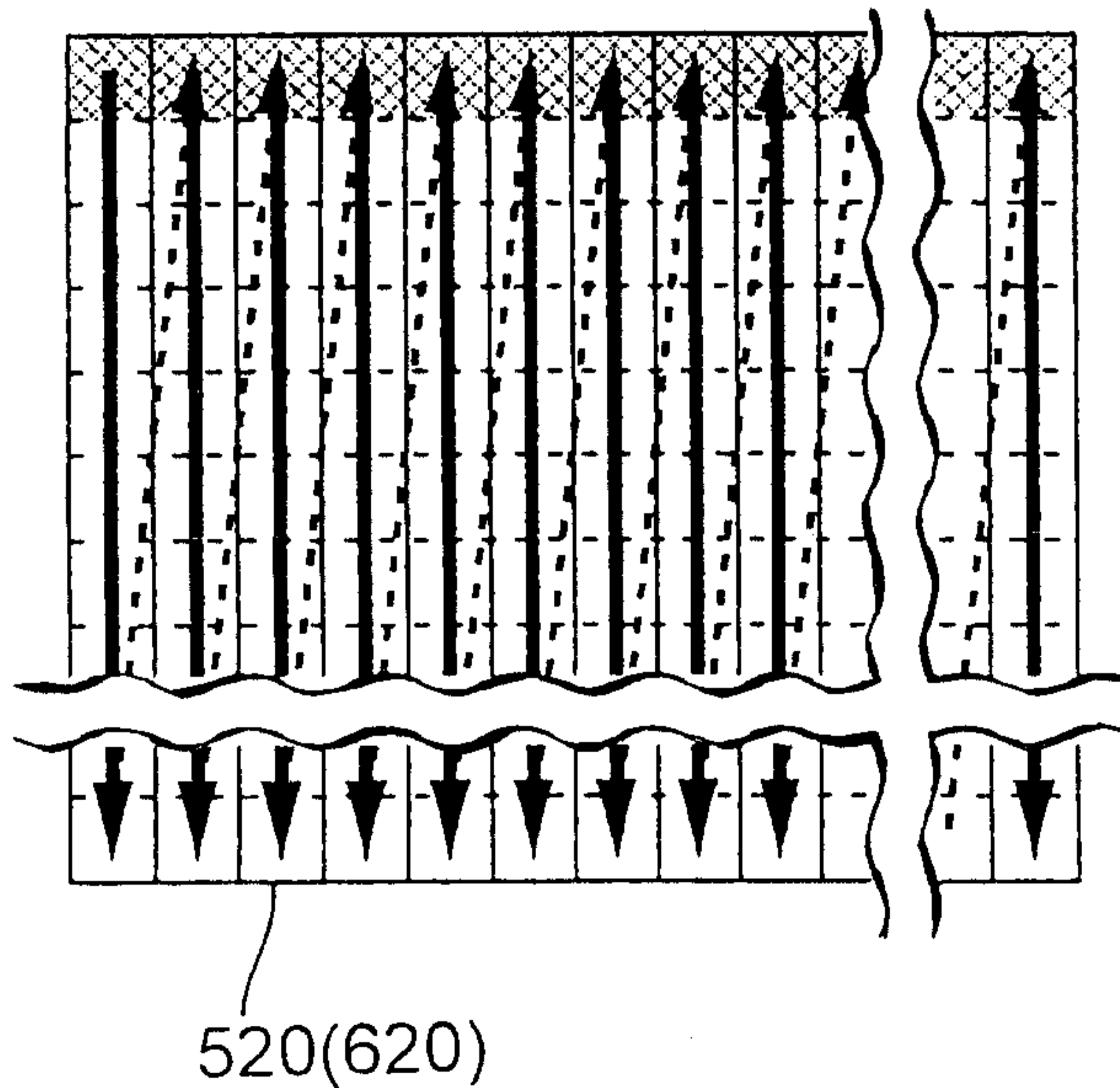


FIG. 8

READING ORDER AT THE TIME OF INTERLEAVING
 (WRITING ORDER AT THE TIME OF DE-INTERLEAVING)



F0263/3009

8/12

FIG. 9A

BEFORE INTERLEAVING

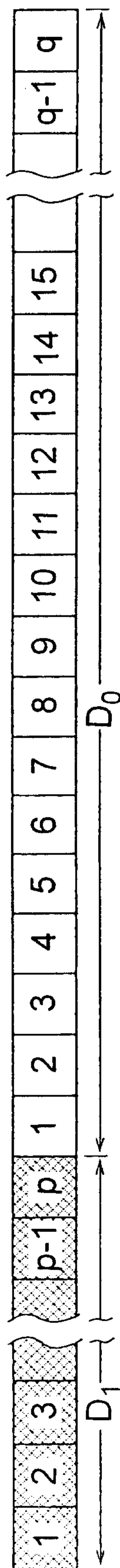


FIG. 9B

AFTER INTERLEAVING

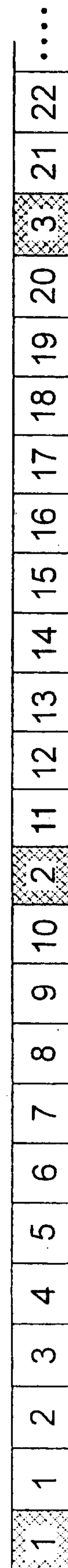


FIG. 10

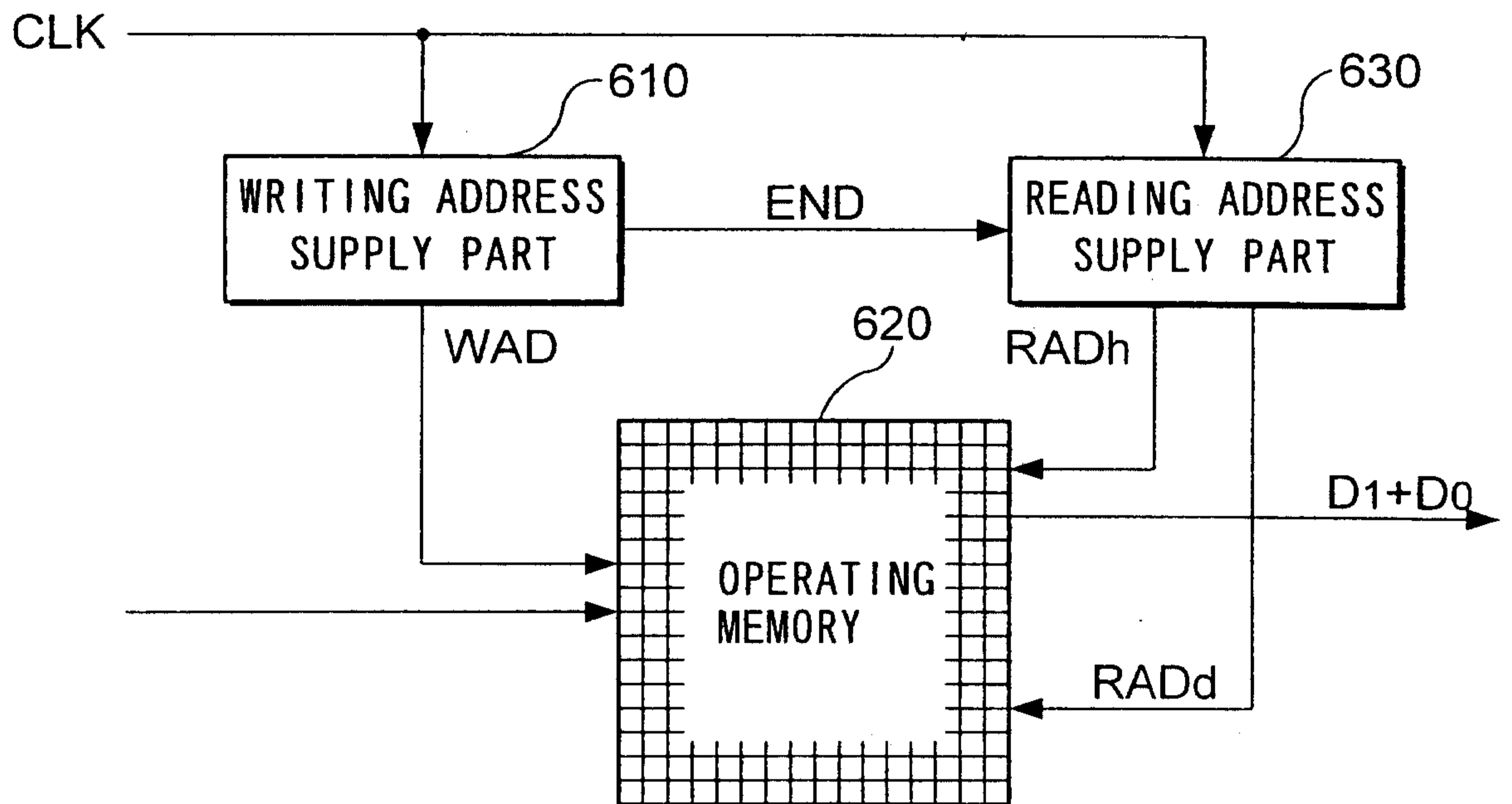


FIG. 11

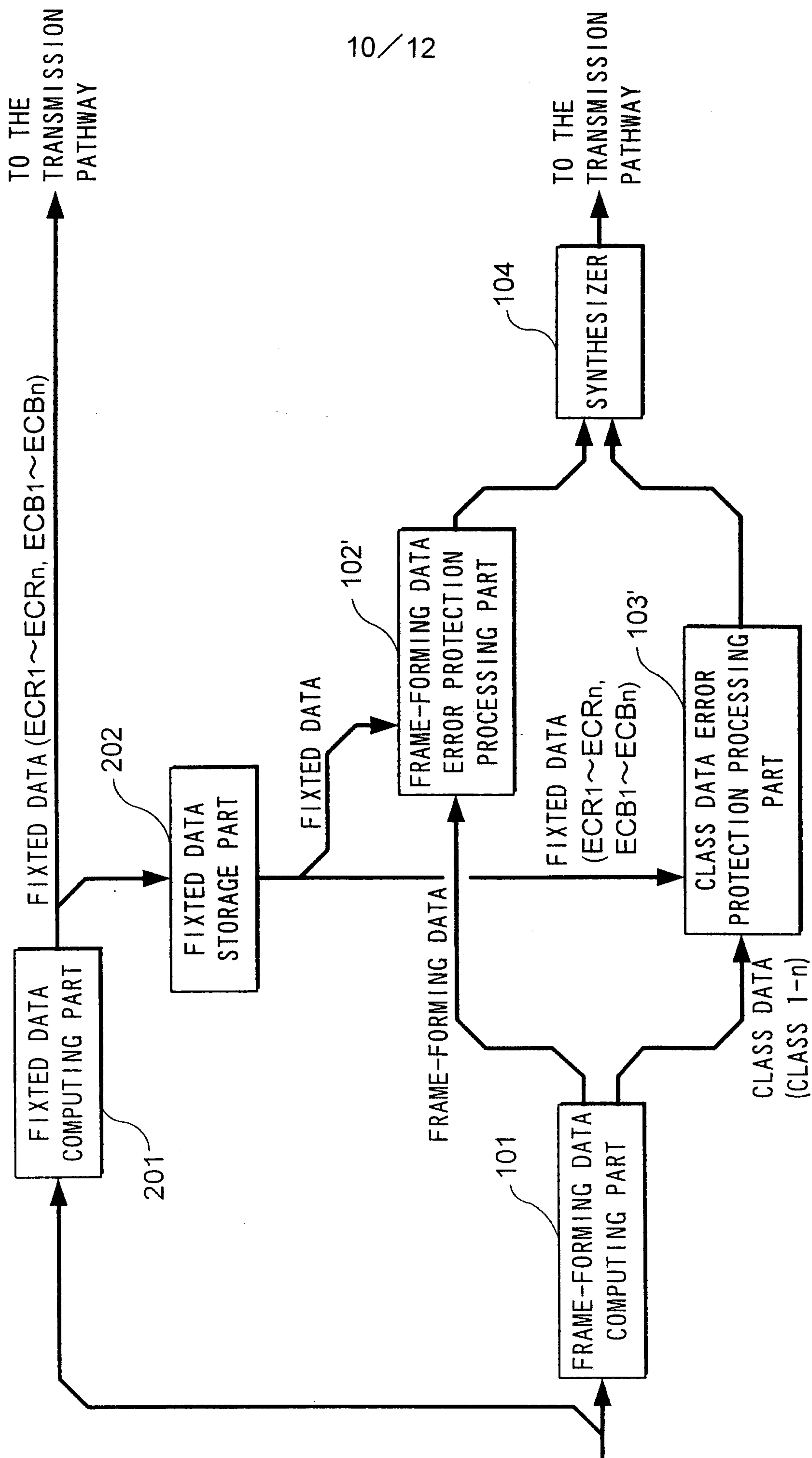


FIG. 12

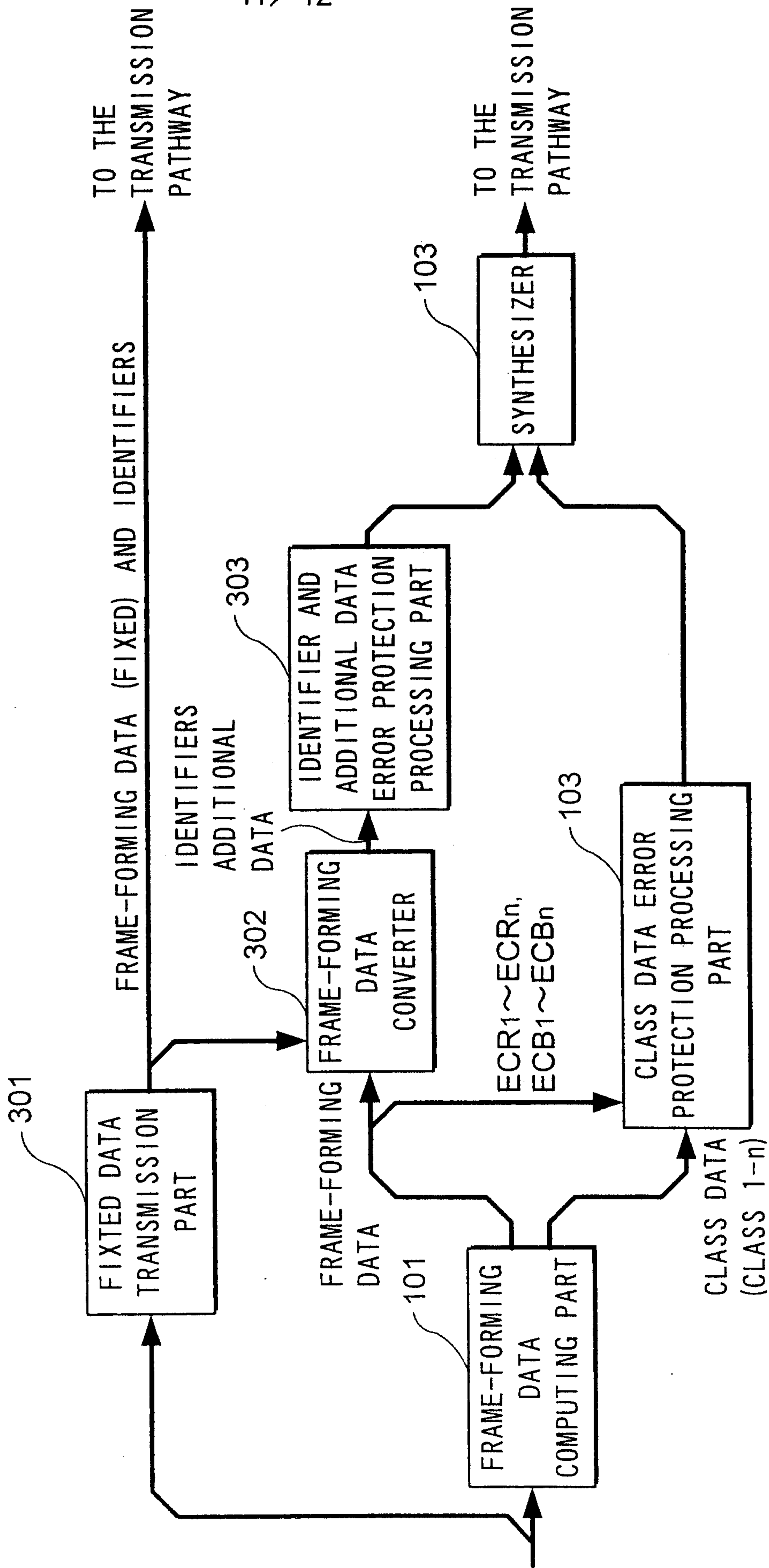


FIG. 13

