



US00D742802S

(12) **United States Design Patent**
Lukyanov

(10) **Patent No.:** **US D742,802 S**

(45) **Date of Patent:** **** Nov. 10, 2015**

(54) **DEVICE FOR MOVING IN WATER**

(71) Applicant: **OOO "PARITET-TSENTR"**, g.
Yaroslavl (RU)

(72) Inventor: **Aleksey Borisovich Lukyanov**, g.
Yaroslavl (RU)

(73) Assignee: **OOO "PARITET-TSENTR"**, g.
Yaroslavl (RU)

(**) Term: **14 Years**

(21) Appl. No.: **29/508,727**

(22) Filed: **Nov. 10, 2014**

(30) **Foreign Application Priority Data**

Jul. 22, 2014 (RU) 2014502801

(51) **LOC (10) Cl.** **12-06**

(52) **U.S. Cl.**
USPC **D12/306; D12/308**

(58) **Field of Classification Search**
USPC D12/300, 306, 308; D21/678, 801, 803,
D21/804

CPC A63B 35/00; A63B 35/04; A63B 35/08;
A63B 35/10; A63B 35/12; B63C 11/46;
B63H 16/14

See application file for complete search history.

(56) **References Cited**

U.S. PATENT DOCUMENTS

839,672 A * 12/1906 Stub 440/31
D138,753 S * 9/1944 Lee D12/306

3,570,436 A * 3/1971 Le Vasseur 114/315
4,289,487 A * 9/1981 Fattler 440/31
4,437,840 A * 3/1984 Filippos 440/27
D292,694 S * 11/1987 Panyik D12/306
4,813,367 A * 3/1989 Stevenson 114/315
4,996,938 A * 3/1991 Cameron et al. 114/315
5,619,948 A * 4/1997 Keyvani 114/315
D416,960 S * 11/1999 Chen D21/678
D505,104 S * 5/2005 Osumi et al. D12/308

* cited by examiner

Primary Examiner — Cynthia M Chin

(74) *Attorney, Agent, or Firm* — Andrew W. Chu; Craft Chu PLLC

(57) **CLAIM**

The ornamental design for a device for moving in water, as shown and described.

DESCRIPTION

FIG. 1 is an upper perspective view of the device for moving in water showing my design.

FIG. 2 is a side elevation view thereof;

FIG. 3 is an opposite side elevation view thereof;

FIG. 4 is a top plan view thereof; and

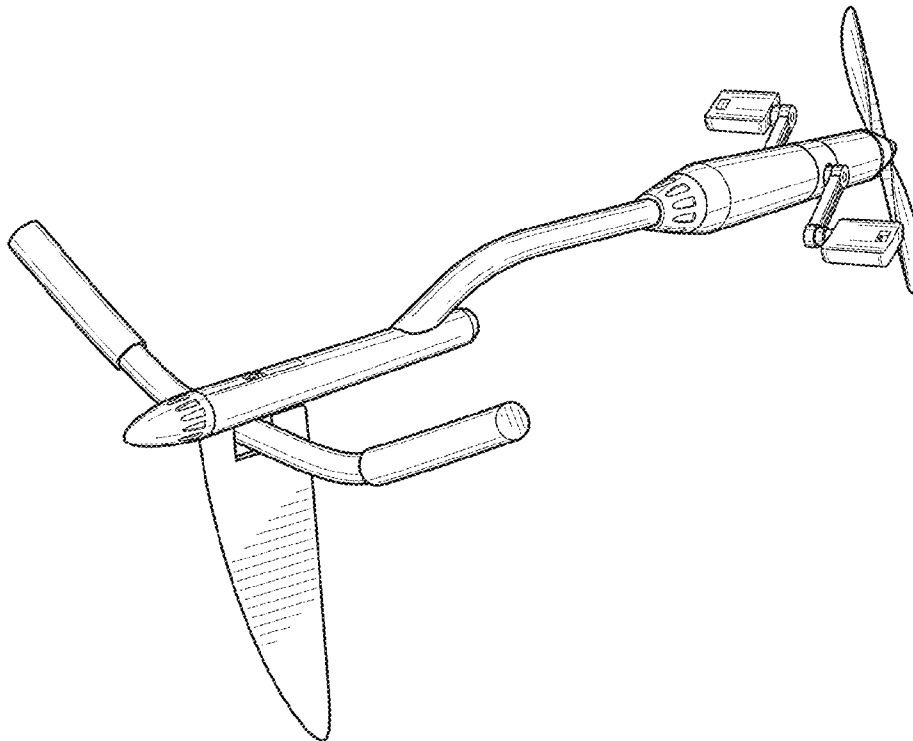
FIG. 5 is a bottom plan view thereof

FIG. 6 is a front elevation view thereof; and,

FIG. 7 is a back elevation view thereof.

The device for moving in water shows a propeller element and pedals on both sides. The propeller element and the pedals rotate and are not fixed in the positions shown.

1 Claim, 3 Drawing Sheets



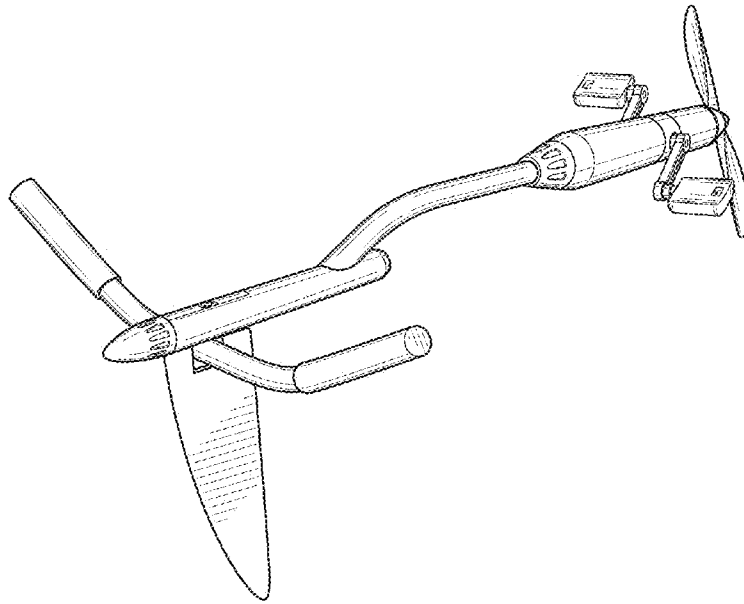


FIG. 1

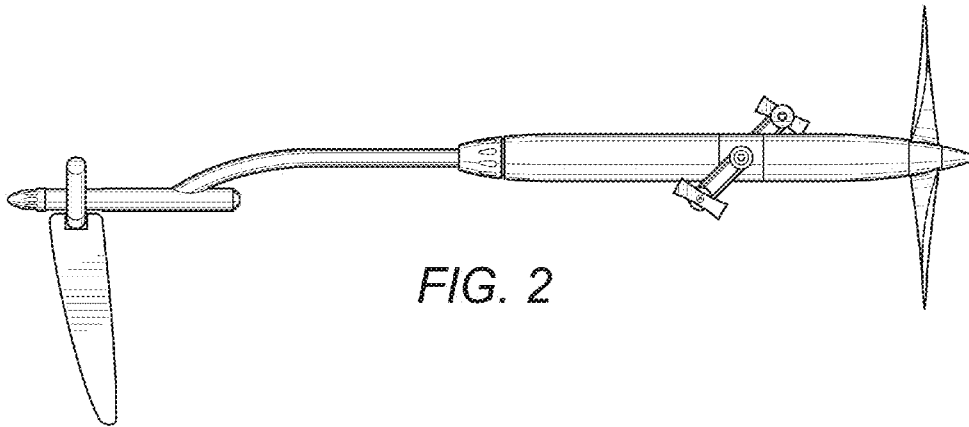


FIG. 2

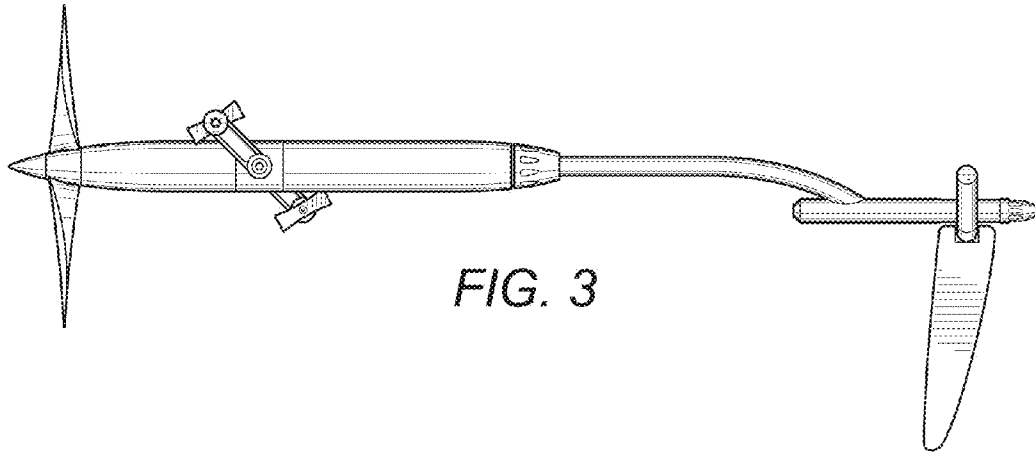


FIG. 3

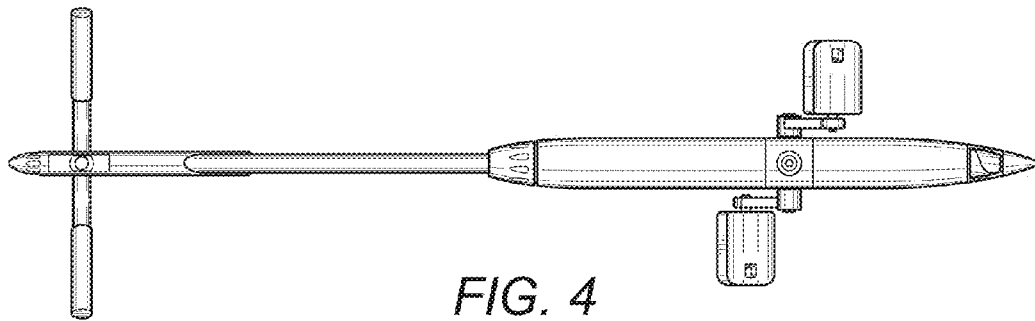


FIG. 4

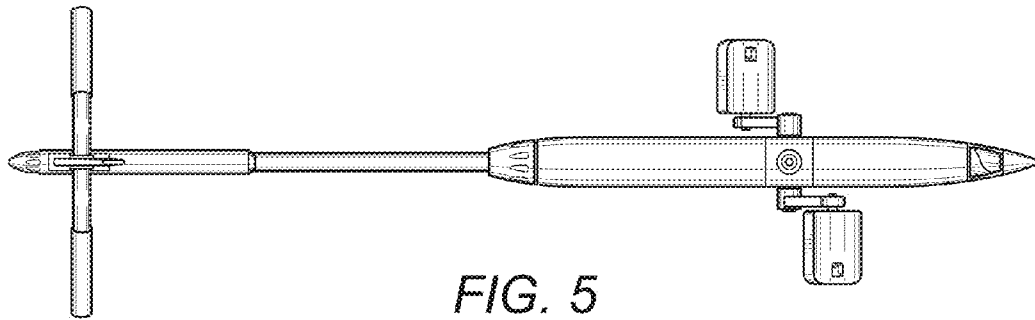


FIG. 5

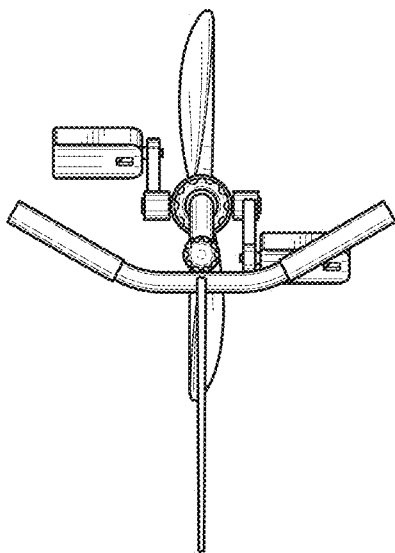


FIG. 6

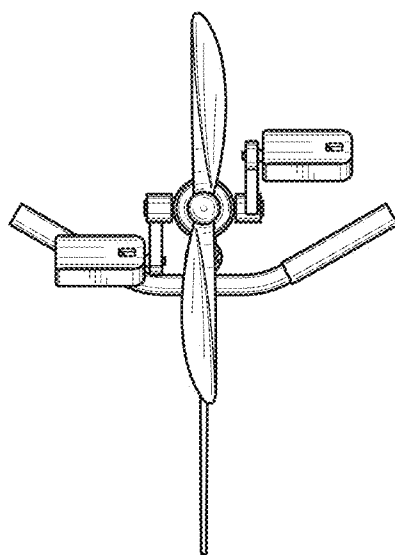


FIG. 7