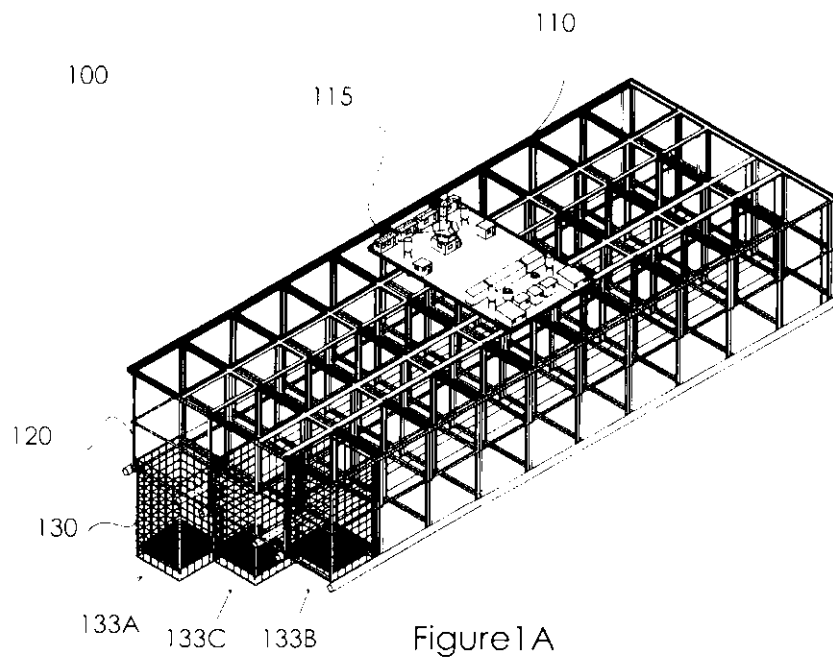
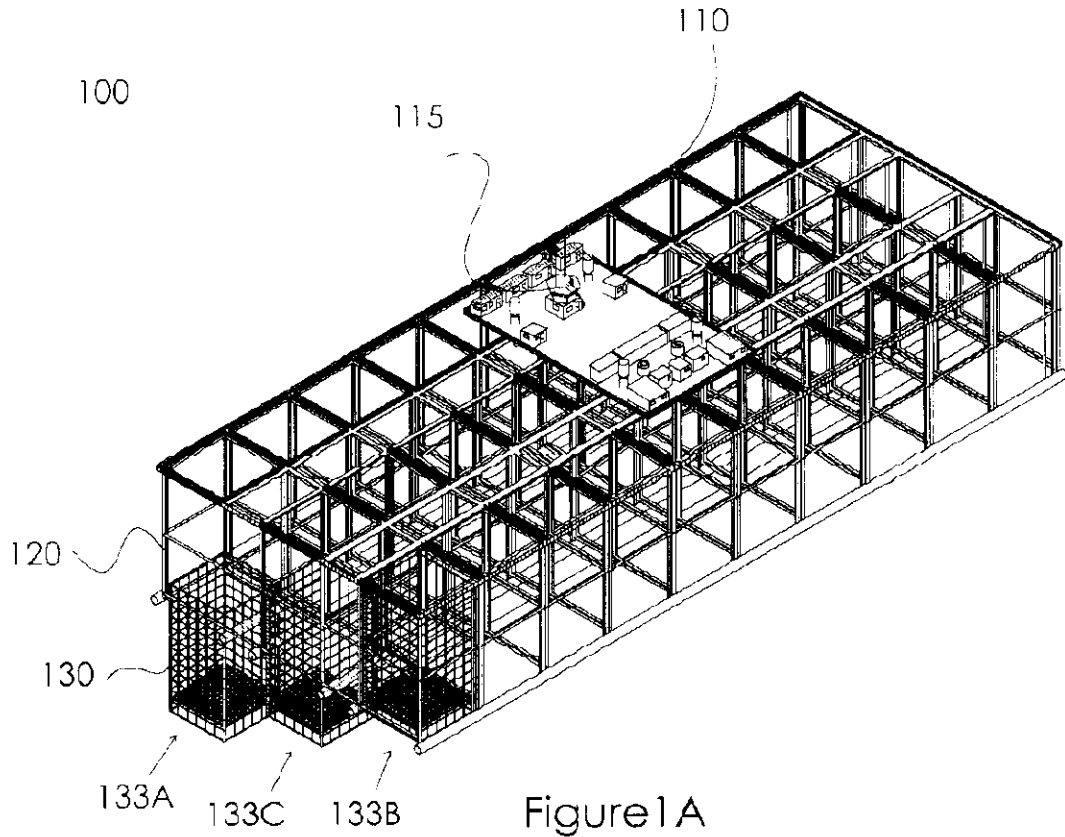


## ABSTRACT

### "OFFSHORE AQUACULTURE SYSTEM"

An offshore aquaculture system based on a semisubmersible platform having storage and maintenance facilities for supporting aquaculture with an attached framework, to which net covered rigid aquaculture cages are movably connected and controllably positioned according to sea conditions. The cages may be sunk or raised to protect the aquaculture products, and all maintenance and feeding is carried out by crew onboard the platform.





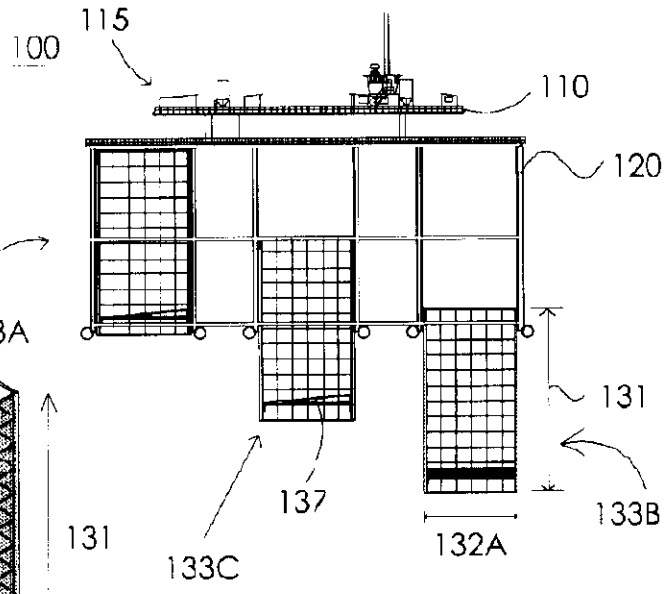
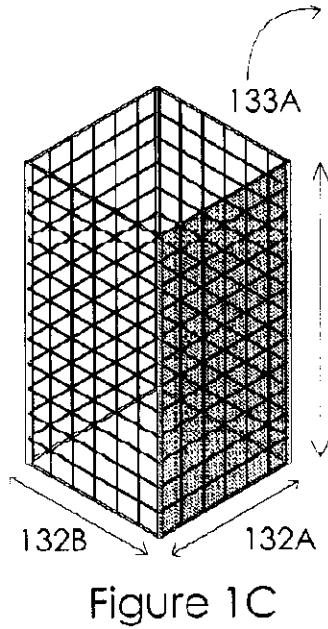
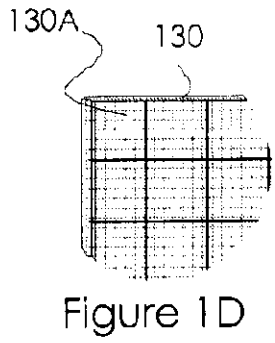


Figure 1B

Figure 1C

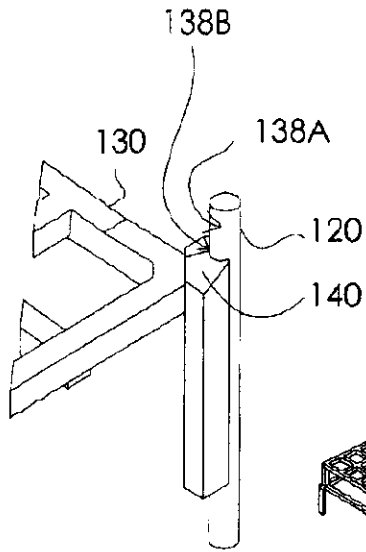


Figure 2D

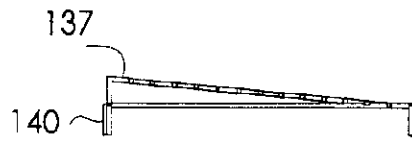


Figure 2B

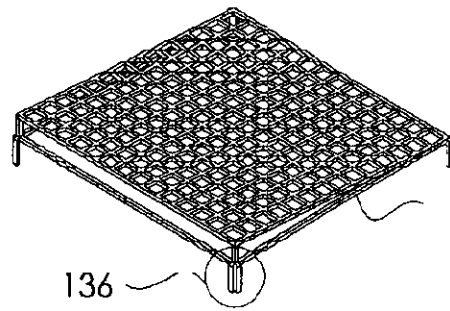


Figure 2A

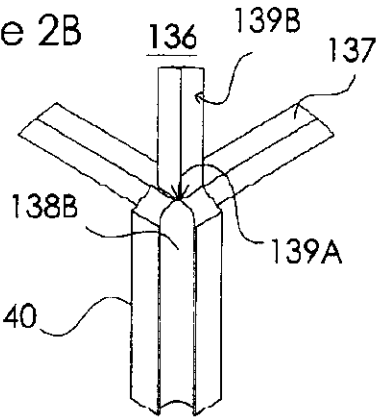
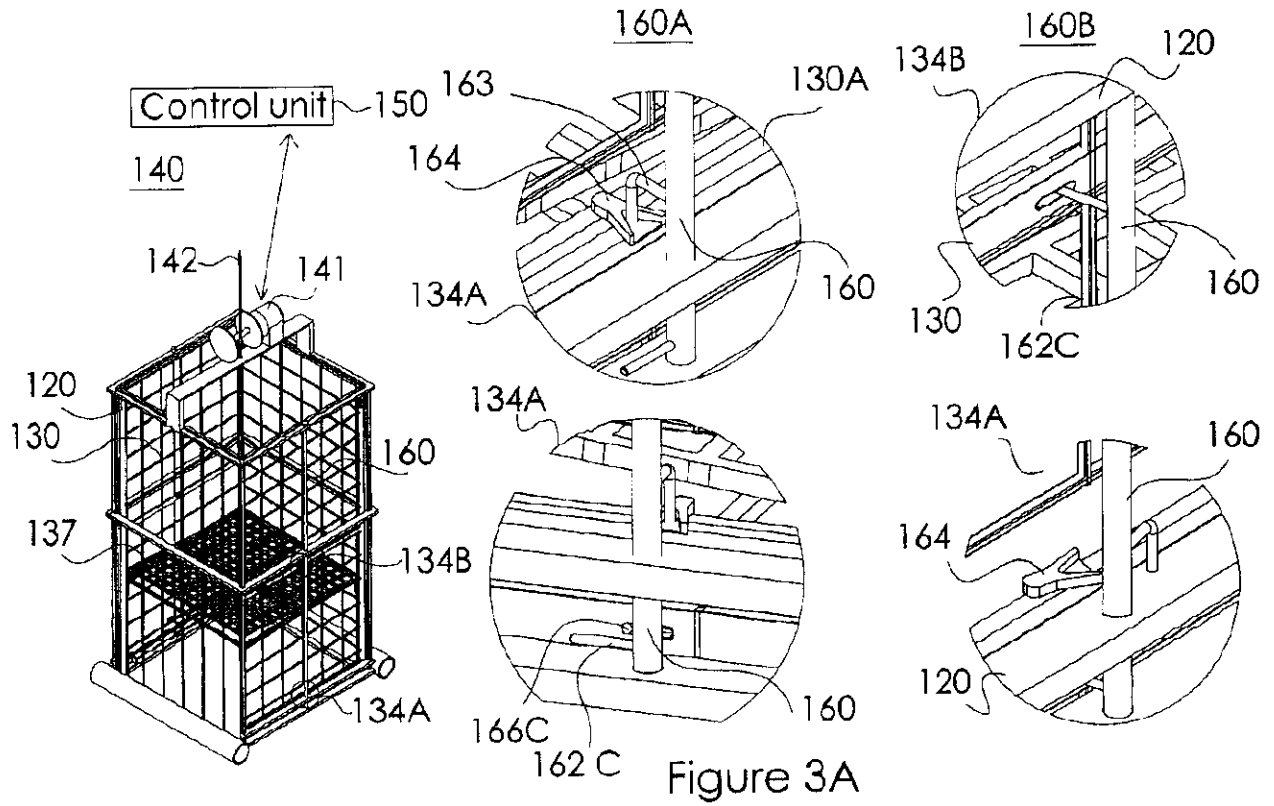


Figure 2C



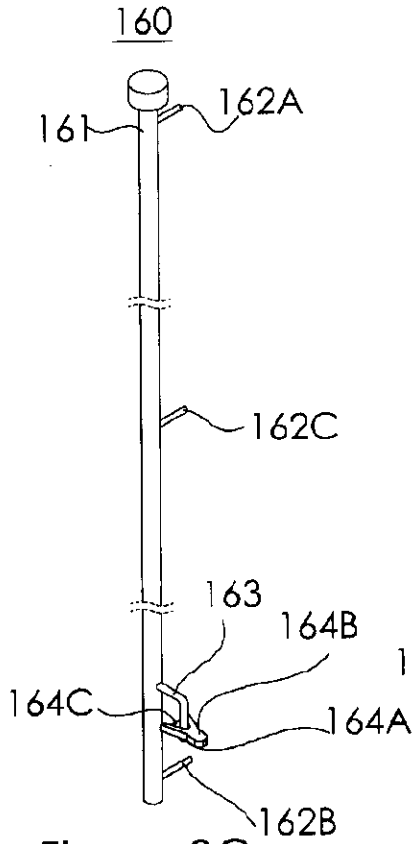


Figure 3C

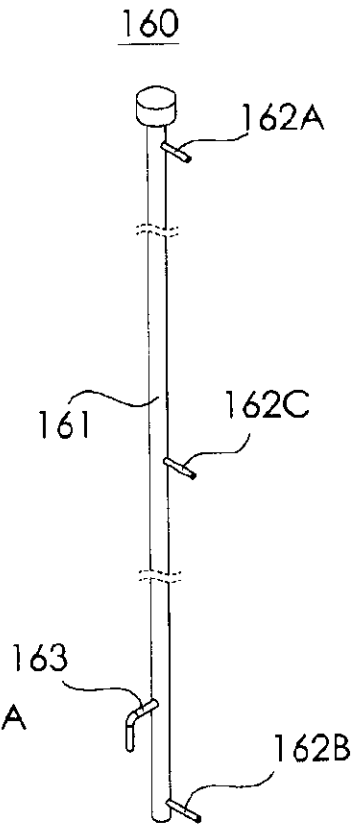


Figure 3B

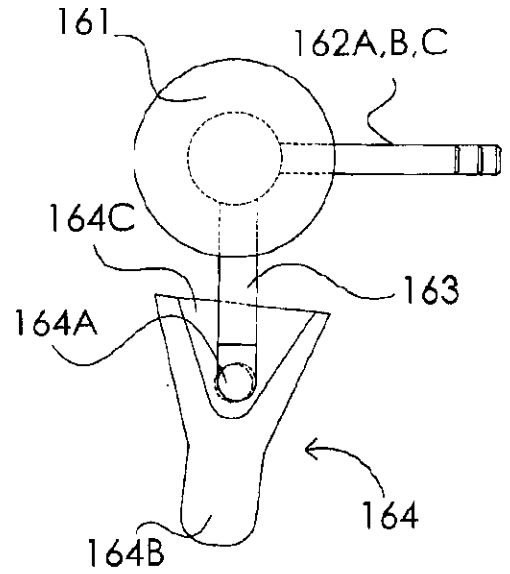


Figure 3D

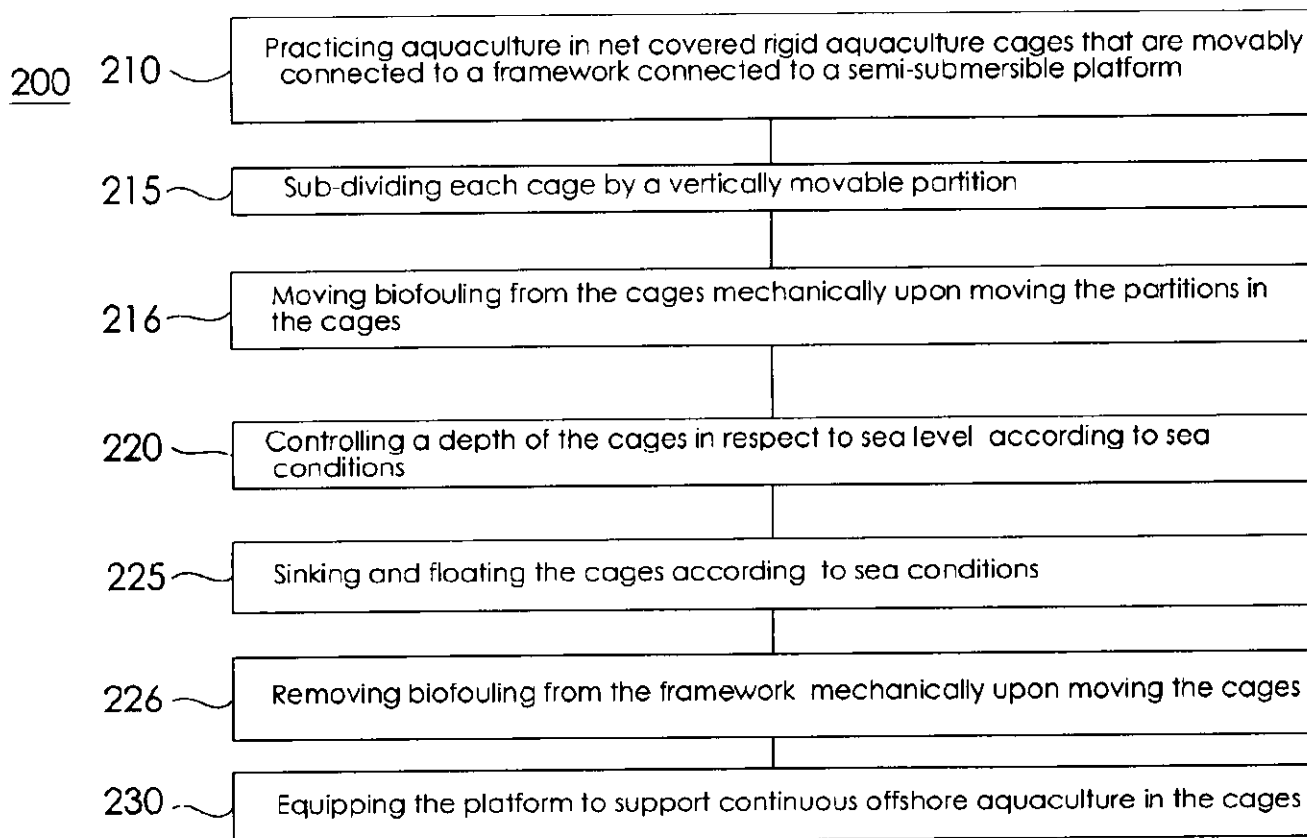


Figure 4