



US00D789718S

(12) **United States Design Patent**
Gokhale et al.

(10) **Patent No.:** **US D789,718 S**
(45) **Date of Patent:** **** Jun. 20, 2017**

- (54) **PLASTIC SHELF LINER FOR MERCHANDISING DISPLAY CASES**
- (71) Applicant: **HEATCRAFT REFRIGERATION PRODUCTS LLC**, Richardson, TX (US)
- (72) Inventors: **Rahul Gokhale**, Dunwoody, GA (US); **Satish Kumar Jatashanker Singh**, Columbus, GA (US); **Michael Lehtinen**, Cumming, GA (US)
- (73) Assignee: **Heatcraft Refrigeration Products LLC**, Richardson, TX (US)

D292,954 S *	12/1987	Knight	D6/672
D345,268 S *	3/1994	Pate	D25/119
D408,388 S *	4/1999	Wiggins	D14/457
D510,220 S *	10/2005	Sandy	D6/705
D521,286 S *	5/2006	Colmenares	D26/51
D610,557 S *	2/2010	Chen	D13/179
D659,110 S *	5/2012	Chen	D13/179
D662,341 S *	6/2012	Sanders	D6/705
D688,905 S *	9/2013	Stravitz	D6/705
D694,046 S *	11/2013	Walter	D6/705
D701,408 S *	3/2014	Mason	D6/705.7
D707,067 S *	6/2014	Basarich	D6/705
D726,462 S *	4/2015	Normand	D6/705
D743,191 S *	11/2015	Clark	D6/675
2002/0170870 A1 *	11/2002	Callis	A47B 96/02 211/119.003
2011/0291540 A1 *	12/2011	Davidson	A47B 96/021 312/350

(**) Term: **15 Years**

* cited by examiner

(21) Appl. No.: **29/538,233**

Primary Examiner — Manpreet Matharu

(22) Filed: **Sep. 2, 2015**

Assistant Examiner — Keith Wilson

(51) **LOC (10) Cl.** **06-04**

(74) *Attorney, Agent, or Firm* — Hubbard Johnston, PLLC

(52) **U.S. Cl.** **D6/705**

(57) **CLAIM**

(58) **Field of Classification Search**
 USPC D6/672, 675, 675.1–675.4, 705, 705.1;
 D7/571–572, 576–577, 600, 600.1–600.4;
 D13/179; 108/61; D14/457; D25/119;
 D26/51; 211/119.003; 312/350, 258
 CPC A47B 73/00; A47B 73/002; A47B 73/004;
 A47B 47/00; A47B 47/0058; A47B
 47/008; A47B 47/25; A47F 5/00; A47F
 5/0056; A47F 5/0062; B65D 21/0211
 See application file for complete search history.

The ornamental design for a plastic shelf liner for merchandising display cases, as shown and described.

DESCRIPTION

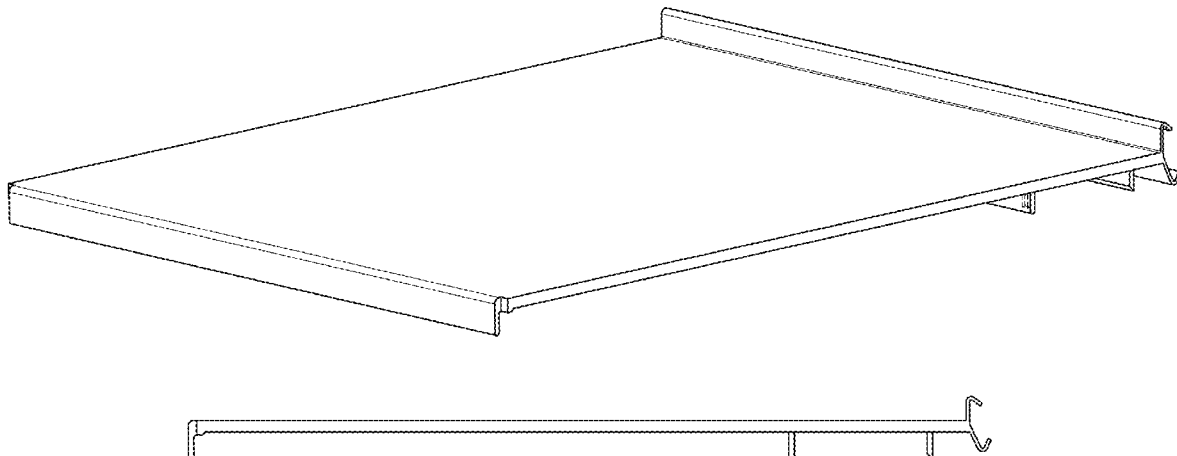
FIG. 1 is a front perspective view showing our new liner;
 FIG. 2 is a top plan view thereof;
 FIG. 3 is a bottom plan view thereof;
 FIG. 4 is a right side plan view thereof, the left side plan view being identical;
 FIG. 5 is a front plan view thereof; and,
 FIG. 6 is a back plan view thereof.
 The broken lines in FIG. 1 show portions of the “plastic shelf liner for merchandising display cases” that form no part of the claimed design.

(56) **References Cited**

U.S. PATENT DOCUMENTS

D250,621 S *	12/1978	Blum	D6/672
4,325,597 A *	4/1982	Morrison	A47B 47/04 108/61

1 Claim, 4 Drawing Sheets



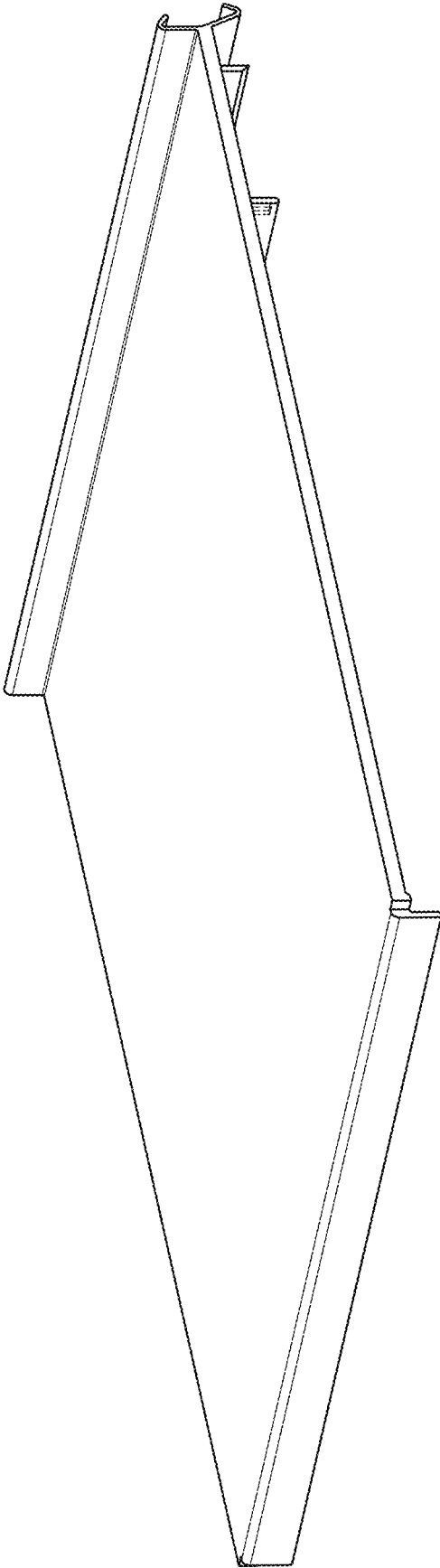


FIG. 1

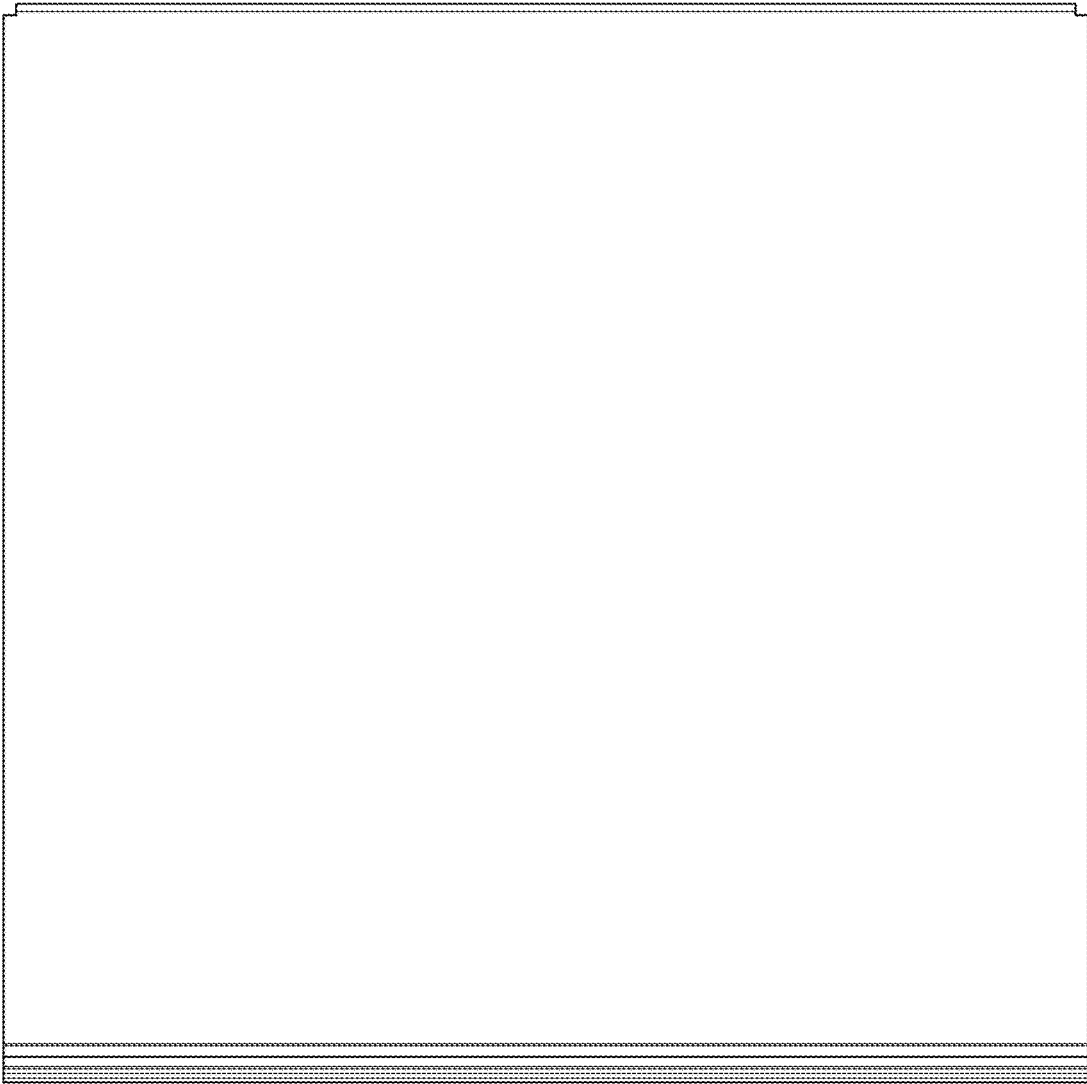


FIG. 2

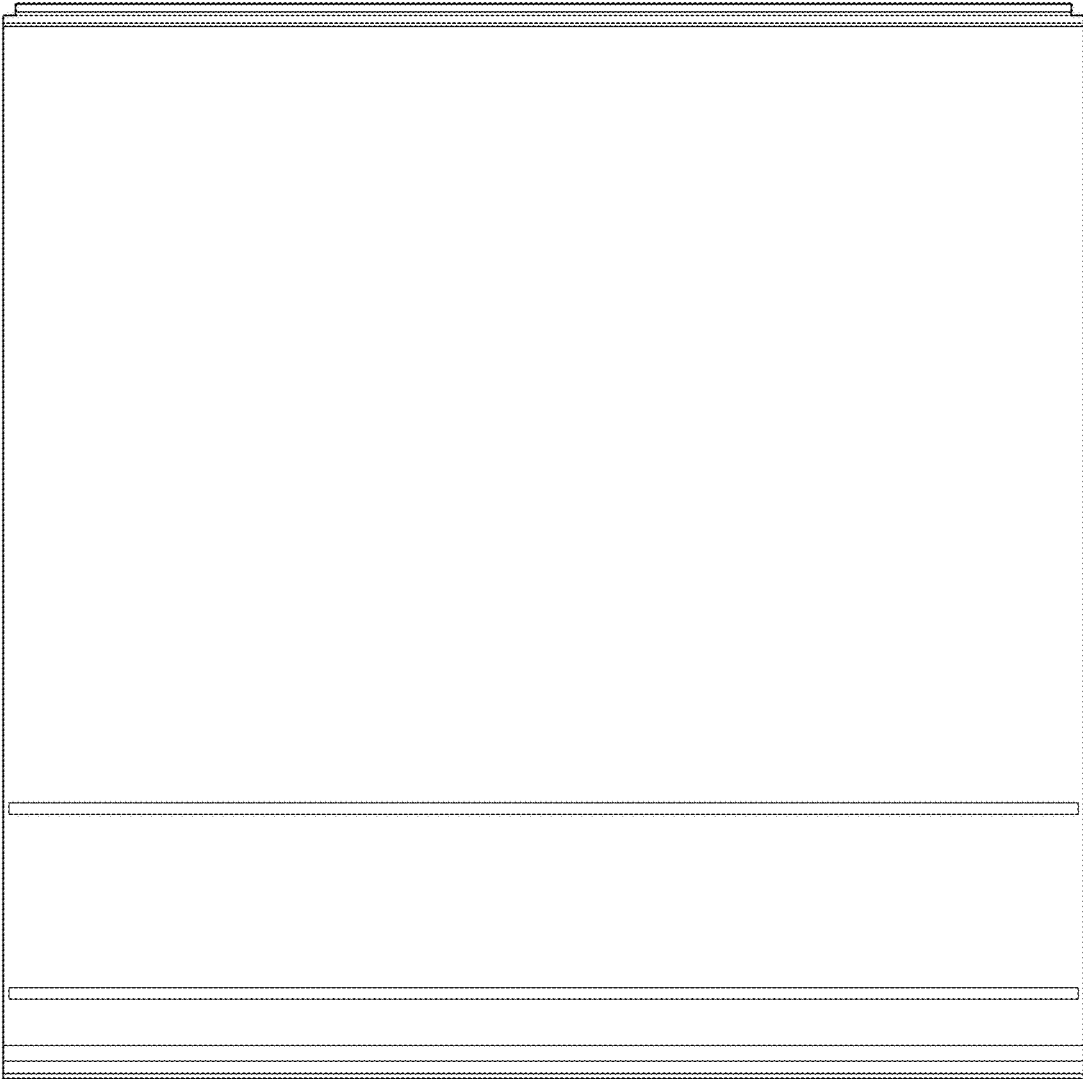


FIG. 3

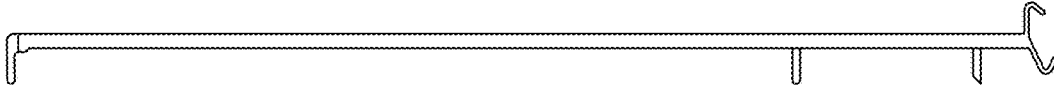


FIG. 4

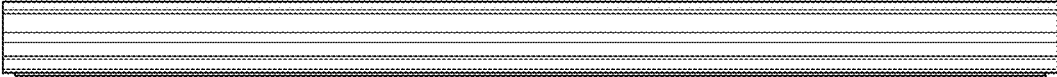


FIG. 5

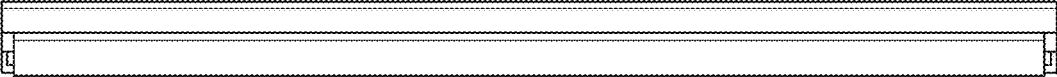


FIG. 6