



US00D453923S

(12) **United States Design Patent** (10) **Patent No.:** **US D453,923 S**
Olson (45) **Date of Patent:** **** Feb. 26, 2002**

(54) **ELECTRICAL ROCKER SWITCH GUARD**

(75) Inventor: **Richard M. Olson**, Newington, CT (US)

(73) Assignee: **Carling Technologies, Inc.**, Plainville, CT (US)

(**) Term: **14 Years**

(21) Appl. No.: **29/132,864**

(22) Filed: **Nov. 16, 2000**

(51) **LOC (7) Cl.** **13-99**

(52) **U.S. Cl.** **D13/173**

(58) **Field of Search** D8/353; D13/156, D13/158, 160, 169, 173; 200/43.04, 293, 302.1, 302.2, 302.3, 315, 339, 437, 553

(56) **References Cited**

U.S. PATENT DOCUMENTS

2,774,521	A	*	11/1956	Cressman et al.	200/43.05
3,527,914	A	*	9/1970	Spacek	200/43.19
4,013,858	A	*	3/1977	Josemans	200/43.04
4,168,416	A	*	9/1979	Josemans	200/43.04
D350,278	S	*	9/1994	Figueroa	D8/353

5,380,968	A	*	1/1995	Morse	200/302.3
D372,224	S	*	7/1996	Larned et al.	D13/173
5,990,431	A	*	11/1999	Wright	200/302.3

* cited by examiner

Primary Examiner—Adir Aronovich

Assistant Examiner—Selina Sikder

(74) *Attorney, Agent, or Firm*—McCormick, Paulding & Huber LLP

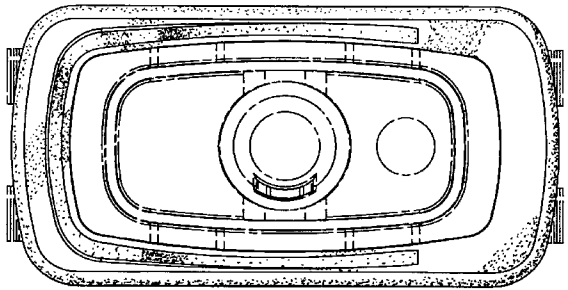
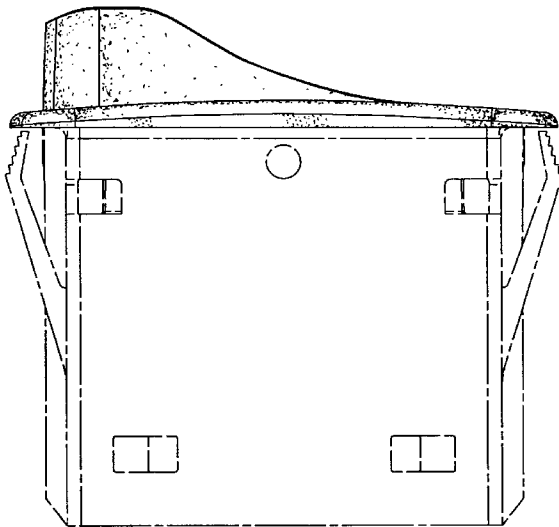
(57) **CLAIM**

The invention is the ornamental design for an electrical rocker switch guard, as shown and described.

DESCRIPTION

FIG. 1 is a side elevational view of an electrical rocker switch guard showing my new design; FIG. 2 is an opposite side view from that of FIG. 1. FIG. 3 is a top plan view thereof. FIG. 4 is a right side elevational view thereof; and, FIG. 5 is a left side elevational view thereof. The broken line showing of a rocker switch and a bezel portion is for illustrative purposes only and forms no part of the claimed design.

1 Claim, 2 Drawing Sheets



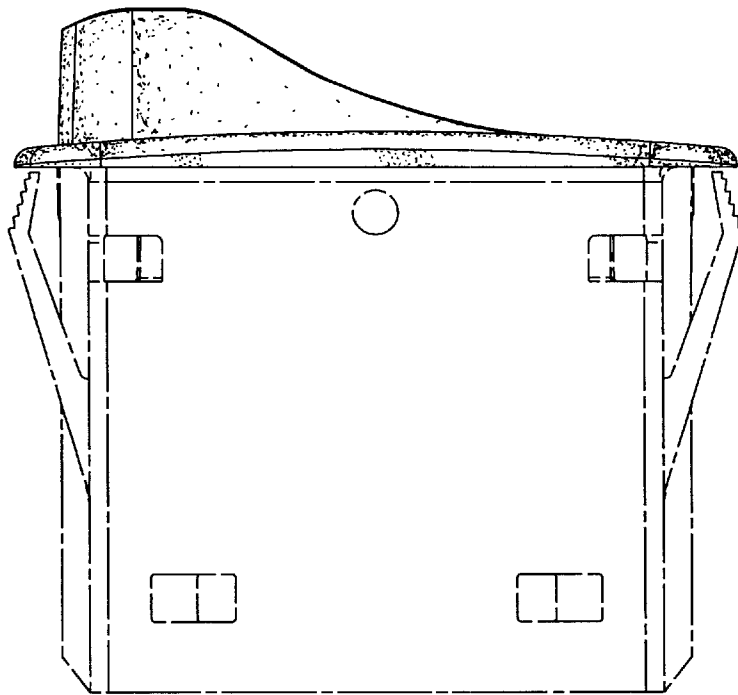


FIG. 1

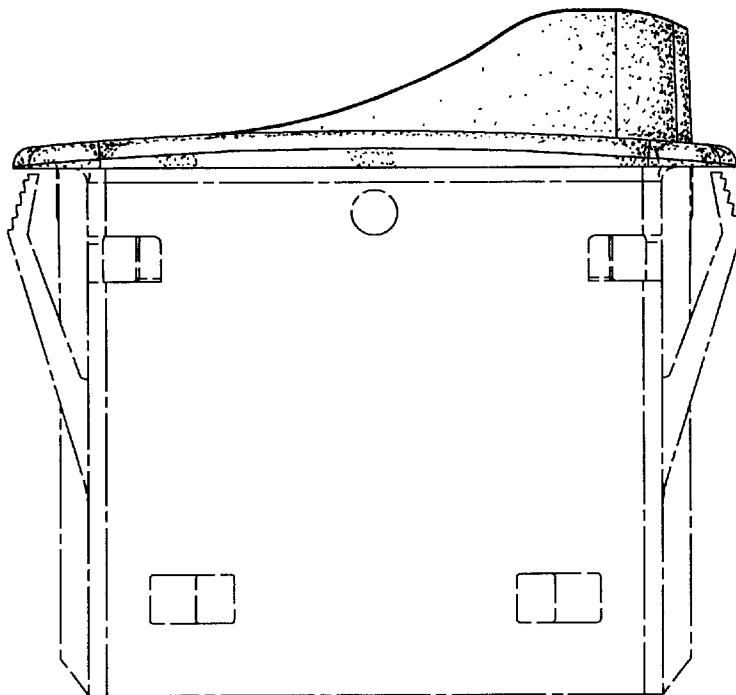


FIG. 2

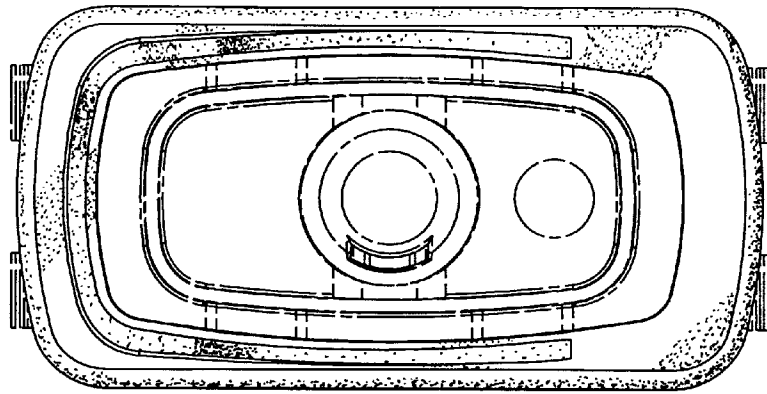


FIG. 3

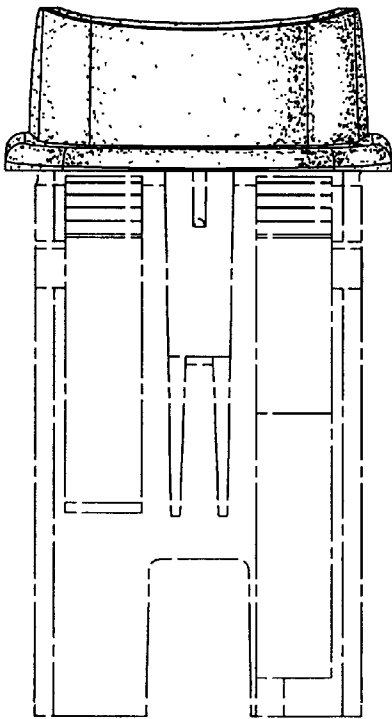


FIG. 4

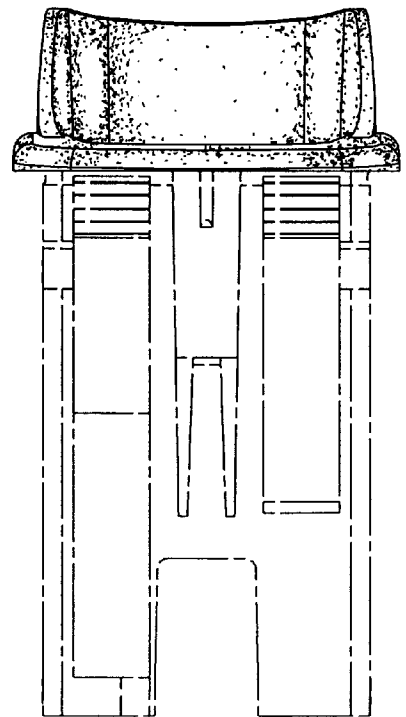


FIG. 5