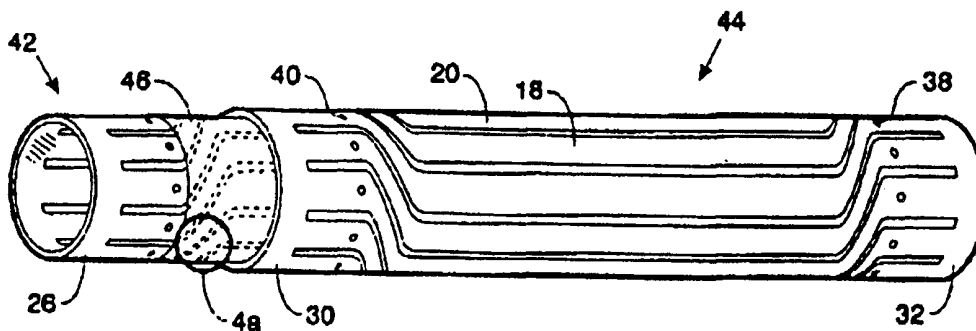


## INTERNATIONAL APPLICATION PUBLISHED UNDER THE PATENT COOPERATION TREATY (PCT)

(51) International Patent Classification <sup>7</sup> : <b>H02K 3/26</b>	<b>A1</b>	(11) International Publication Number: <b>WO 00/62402</b> (43) International Publication Date: 19 October 2000 (19.10.00)
<p>(21) International Application Number: PCT/US00/08374</p> <p>(22) International Filing Date: 29 March 2000 (29.03.00)</p> <p>(30) Priority Data: 09/280,758 29 March 1999 (29.03.99) US</p> <p>(71)(72) Applicants and Inventors: GRAHAM, Gregory [-/US]; 281 Agnus Drive, Ventura, CA 93003 (US). YANKIE, Gerry [-/US]; 1169 Harbor Hills Drive, Santa Barbara, CA 93109 (US).</p> <p>(74) Agent: GELFOUND, Craig, A.; Christie, Parker &amp; Hale, LLP, P.O. Box 7068, Pasadena, CA 91109-7068 (US).</p>	<p>(81) Designated States: AE, AL, AM, AT, AU, AZ, BA, BB, BG, BR, BY, CA, CH, CN, CR, CU, CZ, DE, DK, DM, EE, ES, FI, GB, GD, GE, GH, GM, HR, HU, ID, IL, IN, IS, JP, KE, KG, KP, KR, KZ, LC, LK, LR, LS, LT, LU, LV, MA, MD, MG, MK, MN, MW, MX, NO, NZ, PL, PT, RO, RU, SD, SE, SG, SI, SK, SL, TJ, TM, TR, TT, TZ, UA, UG, US, UZ, VN, YU, ZA, ZW, ARIPO patent (GH, GM, KE, LS, MW, SD, SL, SZ, TZ, UG, ZW), Eurasian patent (AM, AZ, BY, KG, KZ, MD, RU, TJ, TM), European patent (AT, BE, CH, CY, DE, DK, ES, FI, FR, GB, GR, IE, IT, LU, MC, NL, PT, SE), OAPI patent (BF, BJ, CF, CG, CI, CM, GA, GN, GW, ML, MR, NE, SN, TD, TG).</p> <p><b>Published</b> <i>With international search report.</i></p>	

(54) Title: ARMATURE FOR AN ELECTROMOTIVE DEVICE



## (57) Abstract

An armature apparatus for brushless and brush type electric motors and a manufacturing method for same armature. The armature represents an improved design for electric motors having a rigid, thinwall configuration and high conductor packing density in the magnetic flux air gap that results in motors with higher torque and speed capabilities and the ability to operate at higher temperature than conventional motor designs. The armature is fabricated from pre-machined copper sheet metal parts with an electrical conductor pattern of numerous axially extending conductive bands. These precision machined sheet metal parts are cold rolled to form two work hardened cylinders, each cylinder having a complimentary pattern of electrically conductive bands creating a half-electric circuit. The two cold rolled metal cylinders are sized such that the smaller diameter inner cylinder fits inside the larger diameter outer cylinder. The surface of the inner cold rolled cylinder is over-wrapped with fiber strands, woven in several layers to provide physical spacing and electrical insulation. The fiber wrapped inner cylinder is placed inside the larger outer cylinder radially oriented to ensure that an electrical circuit is created by welding the inner and outer cylinder at the conductor tabs. The surface of this cylinder assembly is over-wrapped with fiber strands, woven in several layers and holding the two cylinders together. The entire armature coil is encapsulated in a potting material to add composite strength and electrical insulation. The result of this assembly is a freestanding, ironless core, inductive armature coil for brushless or brush type electric motors.

**FOR THE PURPOSES OF INFORMATION ONLY**

Codes used to identify States party to the PCT on the front pages of pamphlets publishing international applications under the PCT.

AL	Albania	ES	Spain	LS	Lesotho	SI	Slovenia
AM	Armenia	FI	Finland	LT	Lithuania	SK	Slovakia
AT	Austria	FR	France	LU	Luxembourg	SN	Senegal
AU	Australia	GA	Gabon	LV	Latvia	SZ	Swaziland
AZ	Azerbaijan	GB	United Kingdom	MC	Monaco	TD	Chad
BA	Bosnia and Herzegovina	GE	Georgia	MD	Republic of Moldova	TG	Togo
BB	Barbados	GH	Ghana	MG	Madagascar	TJ	Tajikistan
BE	Belgium	GN	Guinea	MK	The former Yugoslav Republic of Macedonia	TM	Turkmenistan
BF	Burkina Faso	GR	Greece	ML	Mali	TR	Turkey
BG	Bulgaria	HU	Hungary	MN	Mongolia	TT	Trinidad and Tobago
BJ	Benin	IE	Ireland	MR	Mauritania	UA	Ukraine
BR	Brazil	IL	Israel	MW	Malawi	UG	Uganda
BY	Belarus	IS	Iceland	MX	Mexico	US	United States of America
CA	Canada	IT	Italy	NE	Niger	UZ	Uzbekistan
CF	Central African Republic	JP	Japan	NL	Netherlands	VN	Viet Nam
CG	Congo	KE	Kenya	NO	Norway	YU	Yugoslavia
CH	Switzerland	KG	Kyrgyzstan	NZ	New Zealand	ZW	Zimbabwe
CI	Côte d'Ivoire	KP	Democratic People's Republic of Korea	PL	Poland		
CM	Cameroon	KR	Republic of Korea	PT	Portugal		
CN	China	KZ	Kazakstan	RO	Romania		
CU	Cuba	LC	Saint Lucia	RU	Russian Federation		
CZ	Czech Republic	LI	Liechtenstein	SD	Sudan		
DE	Germany	LK	Sri Lanka	SE	Sweden		
DK	Denmark	LR	Liberia	SG	Singapore		
EE	Estonia						

## ARMATURE FOR AN ELECTROMOTIVE DEVICE

### FIELD OF INVENTION

The present invention relates to electromotive devices and more particularly to an ironless core armature for an electric motor.

### BACKGROUND OF INVENTION

Electric motor manufacturers and in particular DC motor manufacturers have traditionally employed wire winding or printed circuit coil techniques to fabricate ironless core armatures, which move in a magnetic flux air gap. There, however, are a number of problems associated with these designs. Ironless core motors are typically run with a larger gap than conventional iron core designs. The iron core motors have wire wound through a core of magnetically permeable material and the iron core is cut to minimize the gap but iron core motors have more mass in the armature than ironless core motors.

In the wire winding case, the insulated wire is wrapped in a multilayer configuration to form the current carrying coil with a specific conductor to insulation volume ratio known as packing density. With typical circular coil wire, the insulation material and air voids inherent in this coil construction make for a less than optimal conductor packing density. If square or rectangular conductors are used for armature winding, both the packing density of the coil as well as the total volume of conductor within the magnetic gap are increased. Coil wire is usually circular wire which consists of an electrical conductor (copper or aluminum) surrounded by an insulation layer on top of which there is a bonding layer for structural stability. In most prior art armature wire windings of this type, the conductor packing density is about 60%. If square wire is used in traditional armature production instead of circular wire, the conductor packing density is increased to 70%-80%. Manufacturers, however, prefer using circular wire due to its lower material and labor cost and ease of manufacturing. Therefore, a need exists for a new armature design that is cost effective to produce and that would result in a higher conductor packing density as well as a higher volume of conductor in the magnetic gap. Some ironless core armatures are wire wrapped in angular fashion allowing conductor to conductor bonding for ease of manufacturing and structural integrity which is less efficient because electron flow should be at 90 degrees to the magnetic flux path for maximum efficiency. Angular wrapped armatures exhibit reduced torque by the sine of the angle of the current to the magnetic field. The structure of wire wrapped armatures makes it difficult to produce long small diameter armatures with adequate strength to withstand the destructive centrifugal forces of high RPM applications.

Armatures built by Printed Circuit manufacturing techniques involve rotor windings being formed as flexible printed circuits. Printed circuits are circuits in which the conducting material is applied to an insulated support base by adhesives and etched from one side. The amount of electrical conductor in this case is compromised, however, as multiple layers of insulated printed

1 circuit traces tend to result in a thicker armature wall and a diminished conductor packing  
density. The packing density of this type of armature is lowered due to the volume of flexible  
printed circuit insulation material used to support the conductive loops during fabrication.  
Reducing the armature wall thickness with thin wraps of printed circuit traces tends to weaken  
5 armature walls and yield higher electrical resistance due to narrower and thinner conductor traces.  
Higher electrical resistance results in an undesirable increase in motor heat and energy  
dissipation, thus causing power losses equal to  $P=I^2R$ . Alternatively, wider printed circuit traces  
improve motor performance by reducing trace electrical resistance, but allow eddy currents,  
which reduce the overall gain by again increasing the effective electrical resistance. Printed  
10 circuit construction can be found in larger gap motors where multiple layers are used to create  
multiple turn coils, to increase the length of conductor in the magnetic field. This results in a  
thicker armature structure and a larger magnetic gap. These flexible circuits are mostly used in  
brushless motor applications where the windings are held stationary and the magnet is rotated.  
The larger number of windings creates an armature of larger inductance and higher electrical  
15 resistance.

Various attempts have been made in the prior art to improve ironless core armature  
performance. For example, U.S. Patent No. 3,944,857 to Faulhaber discloses an air-core or  
ironless core armature for electrodynamic machines having an elongated insulating strip rolled  
up to form a spiral structure composed of a number of radially successive layers. An armature  
20 winding is comprised of at least one armature coil and each coil is comprised of a number of  
electrically interconnected component coils. Each coil is formed of electrically interconnected  
conductor sections printed on both sides of the insulating strip. This set up, unfortunately, does  
not optimize the configuration of the windings so as to produce optimal torque.

U.S. Patent No. 3,805,104 to Margrain is directed to a hollow insulating cylinder with  
25 conductors which are placed over an internal metallic tubular support which is supported by an  
end disk at one end, and open at the other end, the open end being flared for stiffness. The  
cylinder has insulation with the electrical conductors being in printed or laminated circuit form.  
This type of device, however, compromises the conductor packing density factor and does not  
produce optimal torque.

30 The Lorentz Law for Electromotive Devices is  $F=I \times L \times B$ ; where  $F$ = Force,  $I$  = current,  
 $L$  = conductor length,  $B$  = magnetic flux density. The Lorentz Law theory as it applies to electric  
motors is clearly illustrated in Figures 10a, b and c. Fig 10a illustrates the environment we see  
in traditional wire wound armatures in use today. Wire wound conductors must have wire  
insulation which decreases the carrier packing density and thereby the current density per unit  
35 area, and thereby the inability to uniformly mount the armature in such manner to cut a maximum  
of flux lines. In addition, wire wound armatures must be wound at an angle thereby creating a  
angle between the crossed vectors of Current and Magnetic Flux that is less than the maximum  
desired ninety degrees to yield the greatest force.

1 Fig 10b illustrates the metal strip carriers envisioned by an embodiment of the invention  
disclosed herein. It can be observed that a square cross section of Fig 10b will enable a greater  
proximity of the flat sided current carrier to the means from which the magnetic flux  
emanates/terminates in the gap between current flow/conductor and said means where the  
5 greatest flux density exists. The round cross section of a conventional wire wound armature does  
not permit such close proximity of the current carrier and the magnetic field carrier. In addition,  
the square cross section can be increased to a rectangular cross section as indicated in Fig 10b  
to yield an even greater current density and flow in a very much reduced magnetic flux gap where  
the flux density is at its greatest.

10 Incorporating the complete current loop illustrated in Fig 10c, it becomes very apparent  
that the doubled Lorentz Force resulting from the same force on each arm of the conductor and  
imposed on the flat conductor surface of Fig 10b will be substantially increased by the increased  
current density, increased flux density and a maximum ninety degree angle between the current  
and the flux. This is the substantial factor in the Lorentz Force equation. Conventional wire  
15 wound armatures are disposed at an angle to the Magnetic Flux Density; therefor, the Current (I)  
vector/flow is at an angle to the Magnetic Flux (B) vector which of necessity yields a smaller  
resulting Lorentz Force (F).

The vector diagrams of Figures 10a, b and c clearly illustrate that the force (therefore  
torque) on the armature of the type described above can be increased by optimizing or increasing  
20 each of the terms of the equation. In particular, current (I) flow may be maximized by reducing  
the electrical resistance of the conductor coil. In a specific armature design, conductor length (L)  
increases can be obtained from multiple conductor loops. Magnetic flux density (B) can be  
maximized by minimizing the air gap between the magnetic return structure and the magnet  
wherein the armature rotates, that is, the closer the magnetic return path is to the magnet, the  
25 higher the magnitude of the magnetic flux density (B) will be. For any given current in the  
windings of the armature, which is placed in the higher magnetic field, torque will be increased.  
Therefore, to improve efficiency of the traditional motor, an armature manufacturer or designer  
should strive to reduce the armature wall thickness which will result in the ability to reduce the  
size of the magnetic gap creating higher flux density, this should be accomplished without  
30 sacrificing conductor length or increasing conductor resistance. Positioning the armature wall  
in close proximity to the magnetic field origin and return path will allow for more conductor  
volume for a given gap width, less electrical resistance and result in an increase in the conductor  
density within the gap.

## 35 SUMMARY OF THE INVENTION

In one aspect of the present invention, an inductive coil for an electromotive device  
includes a pair of concentric conductive sheet metal windings separated by an encapsulating  
material, each of the windings consisting of a plurality of axially extending conductive bands

1 each being separated from an adjacent conductive band by a space, each of the conductive bands of one of the windings being coupled to one of the conductive bands of the other winding.

5 In another aspect of the present invention, method of fabricating an inductive coil from a pair of conductive plates includes cutting each said plate in a pattern to produce a series of conductive bands and cutouts, rolling said cut plates into telescoping inner and outer tubes, wrapping said inner tube, inserting said wrapped inner tube into said outer tube, wrapping said outer tube, and coupling said conductive bands of said inner tube to said conductive bands of said outer tube to form the helical induction coil.

10 In yet another aspect of the present invention, a method of fabricating an inductive coil includes forming a pair of conductive metal sheets in a pattern to produce a plurality of conductive bands each being separated from an adjacent conductive band by a space shaping the formed conductive sheets into inner and outer windings, coating the inner winding, positioning the coated inner winding into the outer winding, coating the outer winding, and coupling each of the conductive bands of the inner winding to one of the conductive bands of the outer winding.

15 In yet still another aspect of the present invention, an inductive coil for an electromotive device includes a pair of concentric conductive sheet metal windings each consisting of alternating axially extending conductive bands and spaces, each of the conductive bands having a tensile strength greater than 40,000 psi, each of the conductive bands of one of the windings being coupled to one of the conductive bands of the other winding.

20 In yet a further aspect of the present invention, an inductive coil for an electromotive device includes a pair of concentric conductive sheet metal windings each consisting of alternating axially extending conductive bands and spaces, each of the conductive bands having a yield strength greater than 30,000 psi, each of the conductive bands of one of the windings being coupled to one of the conductive bands of the other winding.

25 In yet still a further aspect of the present invention, an inductive coil for an electromotive device includes a pair of concentric conductive sheet metal windings each consisting of alternating axially extending conductive bands and spaces, each of the conductive bands having a percent elongation less than 20%, each of the conductive bands of one of the windings being coupled to one of the conductive bands of the other winding.

30 In yet still another aspect of the present invent, an inductive coil for an electromotive device includes a pair of concentric conductive sheet metal windings each consisting of alternating axially extending conductive bands and spaces, each of the conductive bands having a hardness greater than a Brunell number of 70, each of the conductive bands of one of the windings being coupled to one of the conductive bands of the other winding.

35 It is understood that other embodiments of the present invention will become readily apparent to those skilled in the art from the following detailed description, wherein it is shown and described only embodiments of the invention by way of illustration of the best modes contemplated for carrying out the invention. As will be realized, the invention is capable of other

1 and different embodiments and its several details are capable of modification in various other respects, all without departing from the spirit and scope of the present invention. Accordingly, the drawings and detailed description are to be regarded as illustrative in nature and not as restrictive.

## 5 DESCRIPTION OF THE DRAWING

These and other features, aspects, and advantages of the present invention will become better understood with regard to the following description, appended claims, and accompanying drawings where:

10 Figure 1a and 1b is a plan view of a pair of copper metal sheets, precision machined in accordance with an embodiment of the present invention.

Figure 2 is an elevational perspective view of the precision machined sheet metal pieces of Fig. 1a rolled into a cylinder in accordance with an embodiment of the present invention.

15 Figure 3 is an elevational perspective view of the precision machined sheet metal of Fig. 1b rolled into a cylinder being the near mirror image of the cylinder of Fig. 2 in accordance with an embodiment of the present invention.

Figure 4 is an elevational perspective view of the cylinder of Fig. 2 being inserted into the cylinder of Fig. 3 to form a cylindrical electrically conductive coil in accordance with an embodiment of the present invention.

20 Figure 4a is a blow up of a portion of Fig 4 illustrating detail of the wound and cross woven fiber spacing layer providing internal and external composite strengthening to the entire coil assembly.

25 Figure 5 is a graphic illustration of the electrical interconnection of conductive loops to form a continuous electrically conductive coil in accordance with an embodiment of the present invention.

Figure 6 is a plan view of a commutator in accordance with an embodiment of the present invention.

Figure 7 is an exploded perspective view of an ironless core armature being assembled in accordance with an embodiment of the present invention.

30 Figure 8 is an elevational perspective view of an assembled ironless core armature with drive shaft and flywheel inserted, commutator electrically connected to the electrically conductive coil in accordance with an embodiment of the present invention.

Figure 9 is a cross-sectional view along section line 9-9 of Fig. 8.

35 Figure 10a is a graphic theoretical explanation of the Lorentz Force in a conventional wire wound armature.

Figure 10b is a graphic theoretical explanation of the Lorentz Force in accordance with an embodiment of the present invention.

Figure 10c graphically illustrates the application of the Lorentz Force in a typical electric

1 motor armature.

Figure 11 graphically illustrates the cross section of the armature.

**DETAILED DESCRIPTION OF A PREFERRED EMBODIMENT**

5 An embodiment of the presented invention is directed to an ironless core armature for a D.C. motor with brushes. The armature has a composite construction allowing high temperature operation, high speed and high torque compared to other brush motors. Preferably, the armature is a precision-machined rectangular sheet metal, copper or copper alloy, machined in a pattern to produce a series of generally parallel conductive bands with each band separated from the  
 10 other by a fine fiber and polyimide. This approach allows the construction of long armatures with small diameter to length ratios. The machined, cold rolled, tempered and conductive metal sheets are rolled to form a cylinder with the orientation of the conductive band pattern on one cylinder representing a half-electrical circuit and the other half circuit representing the conductive band pattern of the other cylinder. One cylinder, also called the inner cylinder, has a slightly  
 15 smaller diameter than the other so as to fit inside the larger diameter cylinder (also called the outer cylinder). The outer surface of the inner cylinder is tightly wrapped with sufficient layers of threadlike fiberglass strands or other non-conductive filaments, which provides insulation, spacing and structural stability. The sheet metal has structural temper, and this tempered feature contributes to the overall strength of the armature structure. The table below shows the increase  
 20 in stiffness and strength provided by tempered, colled rolled copper.

Properties of Materials: Cold Rolled Copper Annealed Copper		
Tensile Strength	46,000 psi	32,000 psi
Yield Strength	40,000 psi	10,000 psi
25 Percent Elongation	5%	45%
Hardness, Brunell	100	42

The structural copper provides adequate stiffness and longitudinal support for the armature eliminating the need for laminated support required of conventional printed circuit  
 30 board armature types. Rolling provides additional work hardening via cold forming. The conductors are formed as arcs, creating a three dimensional shape of each conductor. This allows all the conductors, that are stiffened by the rolling process, to become self supporting.

The fiberglass wrapped inner cylinder is inserted into the outer cylinder by concentrically and axially aligning the end points of the conductive bands of each cylinder on both ends. The  
 35 outer surface of the outer cylinder structure is also wrapped with several layers of fiberglass strands to impart a cross woven, strengthening layer. The outer and inner cylinder conductive bands are then soldered, or otherwise electrically attached, at their respective connection points to form a continuous electrically conductive coil with bare fiber providing spacing between the

1       conductive layers. When this assembly is subsequently encapsulated with a non-conductive  
material, the end result is a thin-walled, tubular, freestanding electrically conductive coil that  
creates a rigid armature structure with a high percentage of conductor to non-conductor material.  
This armature is capable of much higher rotational speeds, higher temperature and torque than  
5       conventional constructed ironless core armatures.

The described embodiment of the ironless core armature has numerous applications and  
can be integrated into a variety of devices. By way of example, the free-standing electrically  
conductive coil can be provided with a disc-shaped commutator, having a series of conductive  
radial segments which mount to one end of the coil, which collects current from the motor  
brushes and distributes the current to the inductive coil. The coil can be further provided with  
10       an insulated disc-shaped flywheel mounted inside the coil and bonded to the commutator and the  
inside diameter of the coil. Preferably, the flywheel has a diameter designed to fit snugly inside  
the inner cylinder so that the flywheel is held in contact with the electrical conductors, providing  
torque translation to the output shaft. The armature also can have a metal shaft axially inserted  
15       inside the coil from the center of the flywheel and the center of the commutator with a portion  
of the shaft protruding from at least one end of the coil. The shaft can be frictionally held in a  
position by the flywheel. The assembled armature can then be mounted via its shaft in any D.C.  
motor having brushes with the coil rotating on its shaft in a thin magnetic flux air gap during  
operation.

20       Referring to Figures 1a and 1b, a preferred embodiment of the present invention is shown  
having a conductive coil constructed from a pair of nearly mirror image, electrically conductive  
and precision-machined pieces of bare, tempered conductive sheet metal such 10 and 12. The  
first metal sheet 10 is preferably made of tempered copper grade 110 with and precision  
machined in a pattern to produce a series of generally parallel conductive bands 22 with each  
25       band being separated from the other by an elongated machined cutout 14. Similarly, the second  
metal sheet 12 is preferably made of tempered copper grade 110 and precision machined in a  
pattern to produce a series of generally conductive bands 18 with each band being separated from  
the other by an elongated machined cutout 16. The machined cutouts are identical and  
subsequently filled with encapsulation material to prevent electrical contact between neighboring  
30       bands. The preferred thickness of each cutout is about 1-1.5 times the conductor thickness. In  
contrast, printed circuit board armature etching is performed from one side of the material  
resulting in a cutout thickness of 2.5 to 3.0 times that of the conductor. The thickness of the  
machine cutout in accordance with the described embodiment of the present invention is  
narrower than that encountered with convention printed circuit technology and is intended to  
35       optimize the current flow by removing less material and increase the number of conductive bands  
that can be precision machined on copper sheet metal. By way of example, for a 1/2" diameter  
by 2" long armature, each copper metal sheet is preferably 2 inches by 3 inches (approx. 5 cm X  
7.5 cm) with a thickness of about 0.005/0.010 inch (0.12/0.24 mm) and a cutout thickness of

1 about 0.005/0.015 inches (0.12/0.36 mm). As those skilled in the art will appreciate other dimensions and materials may be used to manufacture conductive the metal sheets.

The desired pattern can be achieved in a variety of ways, including by way of example, by precision cutting the metal sheet by chemical machining. Alternatively, the desired pattern  
5 can be machined by other techniques such as water jet cutting, laser cutting, electron beam cutting, fine blanking or any other conventional machining methods. The chemical machining allows both sides of the conductor to be etched at the same time which reduces the amount of copper removed by 50% compared with conventional printed circuit board single side etching.

The first metal sheet 10 has a carrier strip on each edge 26 and 28. Similarly, the second  
10 metal sheet also has a carrier strip on each edge 30 and 32. The carrier strips support the conductive bands at each end and are subsequently removed as explained herein below. The conductive pattern for the first metal sheet 10 includes a series of relatively small holes 34 and 36. Similarly, the conductive pattern for the second metal sheet 12 also includes a series of relatively small holes 38 and 40. The preferred diameter of each hole is about 0.25 mm. The  
15 preferred total number of holes on each side is equal to the number of conductive bands. It will be appreciated that armature coils of this type may be constructed from sheet metal pieces having less or more conductive bands or holes depending on various DC motor operational requirements.

In the described embodiment, the first metal sheet 10 is rolled into a thin-walled cylindrical shape 42 as shown in Figure 2. The second metal sheet part 12 is also rolled into a  
20 thin-walled cylindrical shape 44 as shown in Figure 3, but with its pattern of conductive bands and machined cutouts specifically oriented to create a near mirror image of the pattern of conductive bands and cutouts of the first metal sheet 10. The preferred diameter of the first cylinder 42 is about 0.510 inch (approx. 2 cm) and the preferred diameter of the second cylinder 44 is about 0.520 inch (approx. 2 cm). The first cylinder 42 is formed with a slightly smaller  
25 diameter to allow subsequent placement of the same into the second cylinder 44 to form the conductive coil. For this reason, the second cylinder 44 will hereafter be referred to as the outer cylinder and the first cylinder 42 will respectively be referred to as the inner cylinder. Those skilled in the art will appreciate that other size cylinder diameters may be utilized.

Next, the inner cylinder 42 is placed on a cylindrical shaft and four to five layers of fine  
30 industrial grade fiberglass strands 46 as shown in Figure 4, preferably having a thickness of about 0.00015 inch, are wrapped and cross woven over the entire outer surface for insulation and composite strengthening while at the same time avoiding the carrier strips of the inner cylinder 42. The wrapped multiple layers of fiberglass strands over the outer surface of the inner cylinder 42 provides structural support for the tubular structure. The fiberglass weave also provides  
35 physical separation between the inner cylinder 42 and the outer cylinder 44. The preferred thickness of the fiberglass layers is approximately 0.00030-0.00075 inch, and is therefore, extremely small but adds significant strength and sufficient insulating capability.

The stranded fiberglass wrapped inner cylinder 42 is then inserted into the outer cylinder

1 44 (i.e. inner cylinder 42 and outer cylinder 44 are of equal length) with the insertion carried out ensuring concentric and axial alignment of both cylinders and matching of respective conductors on each end of the inner cylinder 42 with the corresponding conductors on each end of the outer cylinder 44.

5 The next step is to wrap and cross weave four to five layers of industrial grade fiberglass strands over the outer surface of the outer cylinder 44 in the same way as was done with the inner cylinder 42. This fiberglass layer is used for spacing, strength and structural support. The preferred thickness of the outer cylinder fiberglass layers is approximately 0.00030-0.00075 inch. The electrical insulation and armature structural strength required depends on the application of  
10 the DC motor being produced. The 0.00075 inch material thickness along with the subsequent encapsulation material has been shown to be sufficiently strong to withstand centrifugal forces of rotational speeds in excess of 45,000 RPM. The resulting encapsulation material has a dielectric strength of 600 volts/0.001 inch which gives 180 volts isolation at the 0.0003 inch thickness, sufficient for operations at 0-60 volts.

15 Soldering of the interconnect pads of each conductor using, preferably, a lead-silver-tin solder material which can withstand operational temperatures as high as 510 degrees Fahrenheit (F°). This interconnect can be welded instead of soldered to create an interconnect with copper as the base weld material to allow even higher armature temperatures. A DC motor with the described embodiment of the armature coil will tolerate higher operational current and thus  
20 higher operational temperature due to the high temperature capability of solder and encapsulation material used. Alternative methods of joining the conductors may be used, such as crimping, spot welding, sonic welding or laser welding. If one of these welding techniques is used, the armature operational temperature rises to about 600 degrees F°, which is the utilization temperature of the described embodiment of the encapsulation material.

25 The soldered joints electrically interconnect all the outer cylinder 44 conductive bands with the respective inner cylinder 42 conductive bands so as to form a continuous, inductive helical structure as shown in Figure 5. Figure 5 illustrates in detail how a portion of the helical structure is accomplished. For example, the inner cylinder conductive band 23 is electrically connected at one end (hole 33) with the outer cylinder 44 conductive band 19 and at the other end  
30 (hole 41) with the outer cylinder conductive band 21. The rest of the inner cylinder 42 conductive bands are similarly interconnected with the respective outer cylinder 44 conductive bands with the total number of interconnections at each end being the same. Essentially, the inner cylinder 42 conductive bands provide one half of the electric circuit and the outer cylinder 44 conductive bands provide the other half of the electric circuit. Joining the two halves  
35 completes the electric circuit. This construction is typically called a lap wind. A wave wind may be achieved as well. Prior art armatures are sometimes thicker at the ends to accommodate wire minimum bend radius problems, whereas the described embodiment of the armature may be constructed such that it is no thicker at the ends than anywhere else along the armature wall. This

1 allows insertion of the completed structure through a narrow gap in the final assembly.

Fig. 6 depicts a commutator 50 constructed by precision machining a thin metal sheet, preferably tempered hard copper alloy like Beryllium/Copper, in the pattern shown which will reduce the commutator surface wear due to the hardness of the material. Beryllium/Copper wear rates in sliding contact is better than pure copper for longer armature life. The commutator 50 has a carrier ring 52 which supports eleven segments such as segments 54, 56, among others. The commutator segments are soldered to matching solder points on the outside of the outer cylinder 44. The commutator 50 collects current from the DC motor brushes and provides power (or distributes current) to the helical coil circuit of the cylinder assembly via its current conducting segments. The eleven tabs at opening 571 and the eleven segments are bent at 90 degrees to the commutating surface using a cold forming tool. This step prepares the commutator for solder attachment to the completed armature coil 62 of Fig. 8. Before commutator mounting can be accomplished, the carrier strip 30 from the outer cylinder 44 (Fig 3) and the carrier strip 26 from the inner cylinder (Fig 2) are removed by cold forming in preparation for attaching the commutator 50. After soldering or welding the commutator 50 to the armature coil 62, the carrier ring 52 (Fig 6) is removed from the commutator 50 by cold forming. A conventional radial commutation scheme can be used to provide the necessary commutation.

Figure 7 illustrates an ironless core armature in accordance with a preferred embodiment of the present invention being assembled from a coil 48 (which is the cylinder assembly described above), a commutator 50 and a disk-shaped flywheel 57. The flywheel 57 can be provided with a circular central opening 60 for fitting a shaft 59 and 61 (Fig. 8) and is preferably made from high-strength aluminum. The flywheel 57 can be anodized on its exterior surface to create a consistent electrical insulation layer over the outer surface. The flywheel 57 should be capable of current and voltage isolation via a non-conductive anodized coating and yet have high thermal mass, heat transfer characteristics and stiffness to transmit torque and securely fix the shaft 59 and 61. The diameter of flywheel 57 should be a line to line fit with the diameter of the inner cylinder 42 to allow snug fit of the flywheel inside the inner cylinder 42 when the flywheel is subsequently pressed into one end of the inner cylinder 42. Other materials such as ceramic, high-strength glass and the like make be employed to manufacture the flywheel.

Again, the order of assembly of the described embodiment of the armature is to first press-fit flywheel 57 into one of the open ends of coil 48 (Fig.7). Next, the commutator 50 tabs are soldered (using the type of solder material as previously described) over the electrically joined interconnections of the cylinder assembly 48. In this case, since the total number of commutator segments is eleven and the total number of soldered holes is twenty-two, one segment will service two solder holes (or electrical interconnections) on the cylinder assembly. This type of commutator construction allows for a relatively large number of commutation segments to be utilized which results in a reduced number of coils at each switch of the commutator thus reducing commutator sparking.

1 Back emf follows from Faraday's Law, that is, when an electrically conducting loop is  
in motion in a magnetic field, a voltage is induced in the loop. In DC motors, the rotation of the  
armature winding (or coil) in the presence of a magnetic field results in an induced voltage in the  
armature coil. This voltage is called "back emf" and is undesirable during motor operation. The  
5 use of a relatively large number of commutator segments (eleven) is an improvement over known  
commutators, which normally use 2-9 segments. It should be appreciated that the number of  
soldered points on the cylinder assembly in accordance with the preferred embodiment of the  
present invention is a multiple of the number of commutator segments. In this case, the total  
number of soldered holes, twenty-two, is a multiple of (i.e.  $2 \times 11 = 22$ ) the total number of  
10 commutator segments, eleven. Other multiples may be produced as well in accordance with the  
present invention such as 3x, 4x, etc. The commutator 50 can also be made from a conductive  
material other than pure copper to resist mechanical abrasion at the brush/commutator interface  
and yet maintain high conductivity.

15 The assembled components provide a completely assembled motor armature less shaft  
and encapsulation containing metal and fiber only. The assembled armature is then subjected to  
encapsulation with a non-conductive coating and bonding material to provide additional  
structural stability, to permanently secure all components and to provide complete electrical  
insulation of the armature. By way of example, the armature can be dipped into a polyimide  
20 solution which preferably includes 25% solid/solute (polyimide) and 75% solvent. Polyimides  
are known for their high thermal resistance and are also non-flammable due to their aromatic,  
halogen-free structure that manifests itself in a very high limited oxygen index (about 38%).  
When subjected to flame, polyimide has very low level of smoke formation and toxic gas  
formation, which makes it a preferred bonding agent for this armature. Polyimide is also  
25 chemically resistant to organic solvents such as alcohol, ketones, chlorinated hydrocarbons, and  
has low moisture absorption.

The dipped armature is then centrifuged. The centrifugal force pushes the polyimide  
deeply into the fiber material to properly displace air and wet all surfaces, crevices and cracks of  
the tubular structure allowing permanent composite encapsulation and insulation of the  
components.

30 The polyimide-dipped armature is preferably heat-cured at about 450 F° to remove  
solvents and to yield a hardened, polyimide encapsulation of the armature. The limitation to the  
curing temperature is the 510 F° solder flow temperature; however, using non-solder welding  
techniques allow polyimide curing at 695 F° and continuous armature operating temperatures of  
600 F°. The polyimide material is cured to a rigid material state. The shrinkage of the material  
35 as the solvent is driven off by heat tightens the structure. This allows for a rigid armature capable  
of high resonance, speed and torsion stiffness. Other potting and encapsulation materials may be  
used such as ceramic, glass, silicates, silicones, etc.

Figure 11 shows a cross section of the armature wall. The armature structure has few

1 materials with the insulation/fiber spacing layer a very small percentage of the total wall  
thickness. The final construction of the armature wall from inside out consists of a copper metal  
sheet 80 with polyimide encapsulation material 84 filling the conductor voids, fiber and  
polyimide 81, a copper sheet metal sheet 82 with polyimide encapsulation material 85 filling the  
5 conductor voids, and fiber and polyimide 83. After the shaftless armature has been heat-cured,  
it is allowed to cool to room temperature. Upon inserting a shaft, the end product is a strong, stiff  
and fully insulated armature that can be used in any DC motor application having brushes for  
sliding electrical contact. It is worth noting that the cured shaftless armature has very low  
moisture absorption due to the composition of its components, namely copper, high-quality  
10 soldering material, fiberglass and polyimide. This makes the described embodiment of the  
armature an excellent choice for a DC motor for medical/dental use, as repeated heat sterilization  
or autoclave runs will not affect the operation of the armature. Furthermore, the limiting  
operational temperature of a DC motor equipped with the inventive armature is about 450 F°  
which is a considerable improvement over prior art DC motors which can operate at a limiting  
15 temperature of about 325 F°.

Figures 8 and 9 illustrate a fully assembled freestanding ironless core armature 62 for a  
DC motor with brushes in accordance with a preferred embodiment of the present invention. The  
armature 62 includes an axially inserted shaft 58 with portions 59 and 61 protruding out each end  
for motor mounting. Before the shaft 58 can be mounted, the carrier strip 28 from the inner  
20 cylinder 42 and the carrier strip, 32 from the outer cylinder 44 (Fig. 2&3, respectively) are cut  
off by cold forming. This removal of the carrier strips completes the isolation of the individual  
helical segments thereby creating a continuous coil loop around the armature. The shaft 58 is  
preferably made from hardened stainless steel and is press-fit axially inside the inner cylinder 42  
passing through opening 60 of the already mounted flywheel 57 and through opening 571 of the  
25 already mounted commutator 50. The preferred dimensions of the shaft 58 are 1/8" diameter x  
2 1/2" long. Other materials and dimensions may be used to manufacture the shaft 58.

Figure 9 is a cross-sectional view of armature 62 showing the frictional connection of the  
shaft 58 inside the opening 60 being held in place by the flywheel 57.

Due to the excellent penetration properties of the polyimide encapsulation material and  
30 the very thin coil wall of the described embodiment of the armature, the gap between the  
magnetic return path and the magnet is minimized which optimizes the magnetic flux density in  
the thin air gap in which the rotor moves producing greater motor torque than known armatures  
of similar size. Performance variations due to assembly irregularities are also reduced to a  
minimum using the described coil assembly process. The assembly variables are insignificant  
35 to the extent that the armature does not require dynamic balancing for operation, below 45,000  
RPM. Additionally, the assembly precision allows the armature walls and gap walls to be  
positioned extremely close with spacing of 0.002/0.005 inch (0.05/0.12mm) between moving and  
non-moving walls (air gap and armature surfaces) which increases the total conductor to air gap

1 packing density. The materials used in the design of the described embodiment of the armature  
all exhibit very high temperature resistance which results in a stable armature capable of  
operating under various high temperature conditions. Moreover, the armature is extremely cost  
effective to manufacture when compared with competitive armature manufacturing costs.

5 It is conceived that the described embodiment of the armature of the present invention can  
be used in a variety of applications such as drills (dental, medical, commercial), hobby craft,  
automotive, aerospace, photocopiers, printers, robotics, disc drives and motion control devices,  
as well as other known devices. For example, the above described armature can also be  
employed in brushless DC motors. In such applications, the armature of the brushless motor  
10 designs will have only the freestanding, thin-walled, non-rotating helical inductive coil driving  
a magnet/shaft assembly, which would become the rotating element. In brushless motor designs,  
the same principles apply where the magnetic flux air gap and conductor (copper) density  
improvements create better motor performance.

15 Although a preferred embodiment of the present invention has been described, it should  
not be construed to limit the scope of the appended claims. Those skilled in the art will  
understand that various modifications may be made to the described embodiment. Moreover, to  
those skilled in the various arts, the invention itself herein will suggest solutions to other tasks  
and adaptations for other applications. It is therefore desired that the present embodiments be  
considered in all respects as illustrative and not restrictive, reference being made to the appended  
20 claims rather than the foregoing description to indicate the scope of the invention.

25

30

35

## 1 CLAIMS:

1. An inductive coil for an electromotive device, comprising:  
a pair of concentric conductive sheet metal windings separated by an encapsulating material, each of the windings consisting of a plurality of axially extending conductive bands  
5 each being separated from an adjacent conductive band by a space, each of the conductive bands of one of the windings being coupled to one of the conductive bands of the other winding.
2. The inductive coil of claim 1 wherein the encapsulating material comprises polyimide.  
10
3. The inductive coil of claim 1 further comprising a non-conductive filament wrapped around an outer surface of said one of the windings.
4. The inductive coil of claim 3 wherein the non-conductive filament comprises  
15 fiberglass.
5. The inductive coil of claim 3 wherein a thickness of the non-conductive filament is about 0.00030-0.00075 inch.
- 20 6. The inductive coil of claim 1 wherein each of the spaces separating the conductive bands is less than 2.5 times the thickness of each of the conductive bands.
7. The inductive coil of claim 6 wherein each of the spaces between the conductive bands is about 1 - 1.5 times the thickness of each of the conductive bands.  
25
8. The inductive coil of claim 1 wherein each of the conductive sheet metal windings comprises precision machined and rolled copper.
9. The inductive coil of claim 1 wherein the conductive bands of said one of the  
30 windings forms a half circuit.
10. The inductive coil of claim 9 wherein the conductive bands of the other winding forms a complimentary half circuit.
- 35 11. The inductive coil of claim 1 further comprising a commutator having a plurality of current conducting segments, each of the segments being electrically coupled to one of the conductive bands, a flywheel coupled inside the windings adjacent the commutator, and a shaft axially coupled inside the windings.

- 1           12. The inductive coil of claim 11 wherein said flywheel comprises anodized aluminum.
13. A method of fabricating an inductive coil from a pair of conductive plates,  
comprising:  
5           cutting each said plate in a pattern to produce a series of conductive bands and  
cutouts;  
          rolling said cut plates into telescoping inner and outer tubes;  
          wrapping said inner tube;  
          inserting said wrapped inner tube into said outer tube;  
10          wrapping said outer tube; and  
          coupling said conductive bands of said inner tube to said conductive bands of said  
outer tube to form the helical induction coil.
14. A method of fabricating an inductive coil, comprising:  
15          forming a pair of conductive metal sheets in a pattern to produce a plurality of  
conductive bands each being separated from an adjacent conductive band by a space;  
          shaping the formed conductive sheets into inner and outer windings;  
          coating the inner winding;  
          positioning the coated inner winding into the outer winding;  
20          coating the outer winding; and  
          coupling each of the conductive bands of the inner winding to one of the conductive  
bands of the outer winding.
15. The method of claim 14 wherein the formation of each of the conductive sheets  
25          further comprises precision machining and rolling a copper sheet.
16. The method of claim 14 wherein the formation of each of the conductive sheets  
further comprises forming each of the conductive sheets such that each of the spaces separating  
the conductive bands is less than 2.5 times the thickness of each of the conductive bands.  
30
17. The method of claim 16 wherein each of the spaces separating the conductive bands  
is about 1 - 1.5 times the thickness of each of the conductive bands.
18. The method of claim 14 wherein the formation of each of the conductive sheets  
35          further comprises forming each of the conductive sheets without a supporting structure attached  
thereto.
19. The method of claim 14 wherein the coating of the inner winding comprises

1 wrapping a non-conductive filament around an outer surface thereof.

20. The method of claim 19 wherein the wrapping of the non-conductive filament is wrapped to a thickness of about 0.00030-0.00075 inch.

5 21. The method of claim 19 wherein the non-conductive filament comprises fiberglass.

22. The method of claim 14 wherein the positioning of the coated inner winding into the outer winding is performed by concentrically and axially aligning the windings.

10 23. The method of claim 14 further comprising assembling a flywheel and coupling the assembled flywheel and a commutator to the windings, and encapsulating the windings in an encapsulating material.

15 24. The method of claim 23 wherein the encapsulating material comprises polyimide.

25. The method of claim 14 further comprising assembling a flywheel and coupling the assembled flywheel and a commutator to the windings, centrifuging the windings in a potting material, heating the centrifuged windings to cure the potting material, and cooling the heated windings.

20 26. An inductive coil for an electromotive device, comprising:  
a pair of concentric conductive sheet metal windings each consisting of alternating axially extending conductive bands and spaces, each of the conductive bands having a tensile strength greater than 40,000 psi, each of the conductive bands of one of the windings being coupled to one of the conductive bands of the other winding.

27. An inductive coil for an electromotive device, comprising:  
a pair of concentric conductive sheet metal windings each consisting of alternating axially extending conductive bands and spaces, each of the conductive bands having a yield strength greater than 30,000 psi, each of the conductive bands of one of the windings being coupled to one of the conductive bands of the other winding.

28. An inductive coil for an electromotive device, comprising:  
a pair of concentric conductive sheet metal windings each consisting of alternating axially extending conductive bands and spaces, each of the conductive bands having a percent elongation less than 20%, each of the conductive bands of one of the windings being coupled to one of the conductive bands of the other winding.

1           29. An inductive coil for an electromotive device, comprising:  
            a pair of concentric conductive sheet metal windings each consisting of alternating  
axially extending conductive bands and spaces, each of the conductive bands having a hardness  
greater than a Brunell number of 70, each of the conductive bands of one of the windings being  
5           coupled to one of the conductive bands of the other winding.

10

15

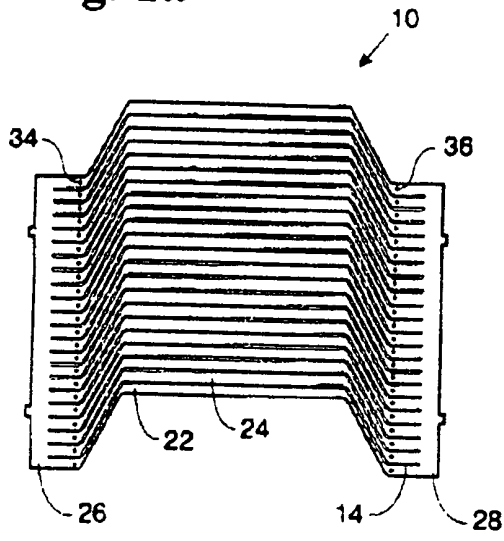
20

25

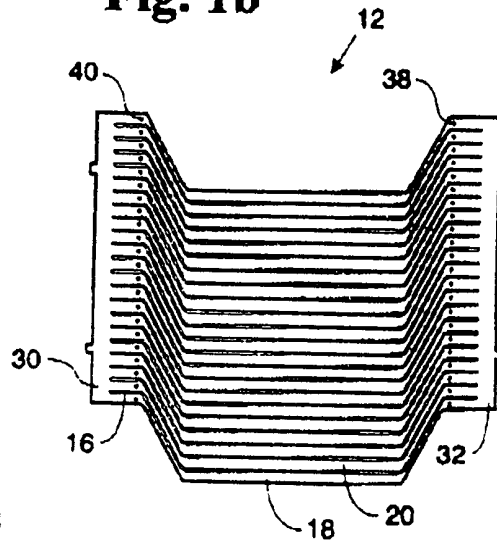
30

35

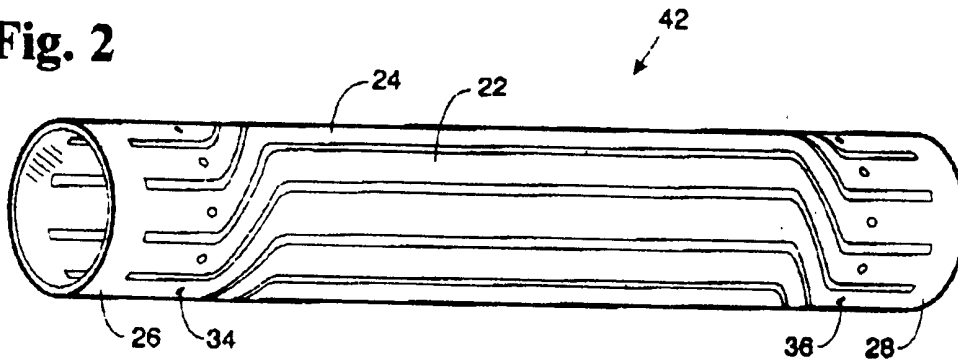
**Fig. 1a**



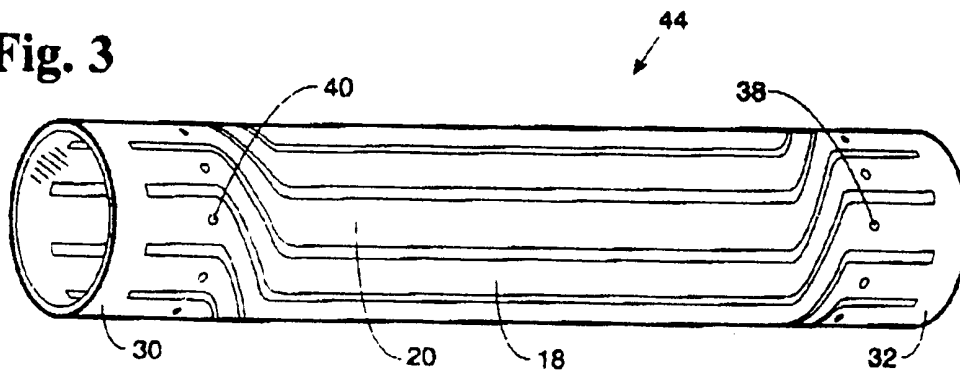
**Fig. 1b**



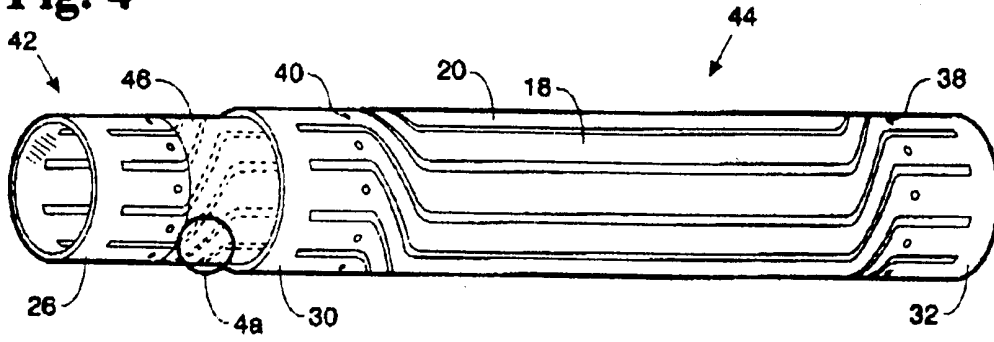
**Fig. 2**



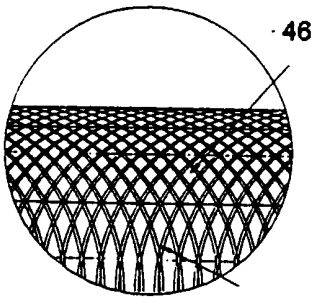
**Fig. 3**



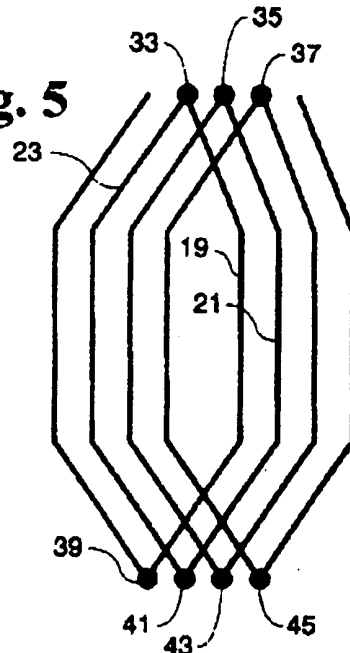
**Fig. 4**



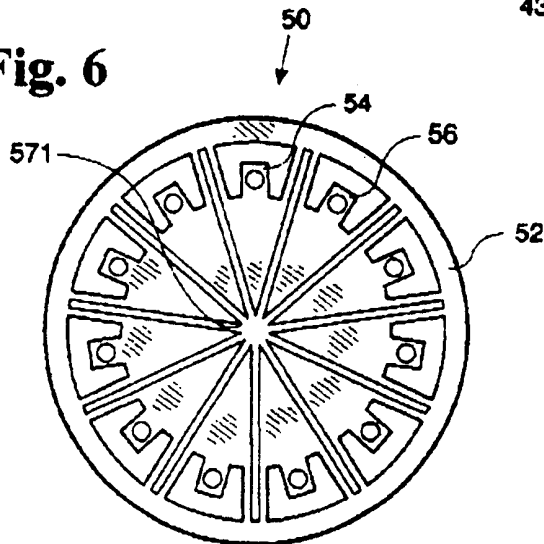
**Fig. 4a**



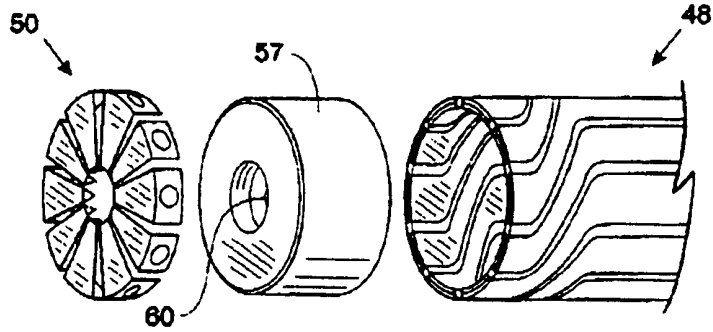
**Fig. 5**



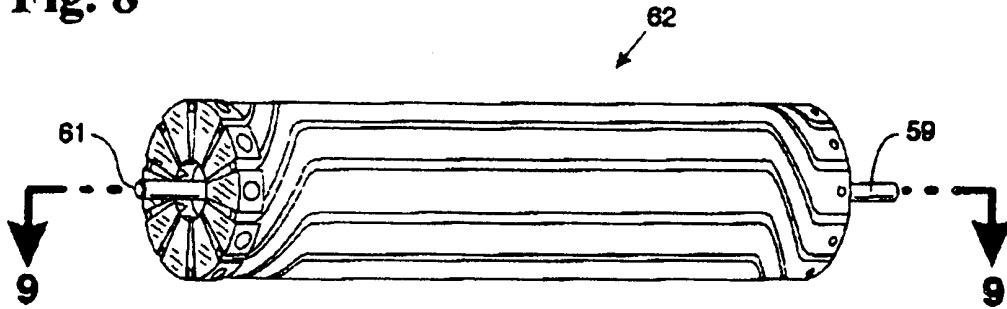
**Fig. 6**



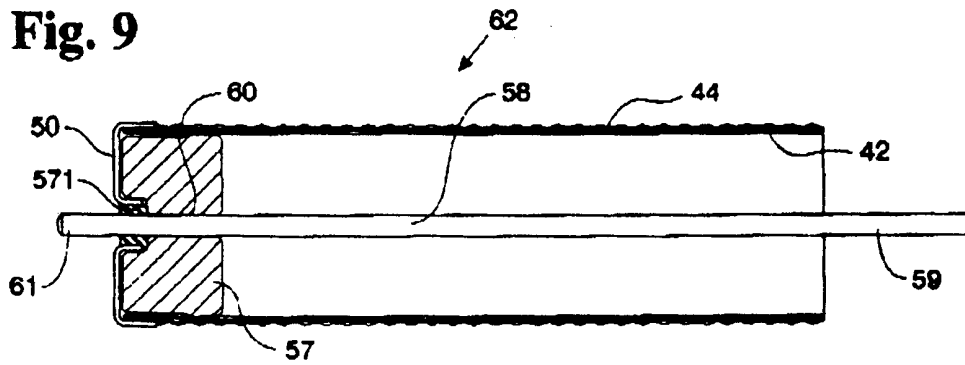
**Fig. 7**



**Fig. 8**



**Fig. 9**



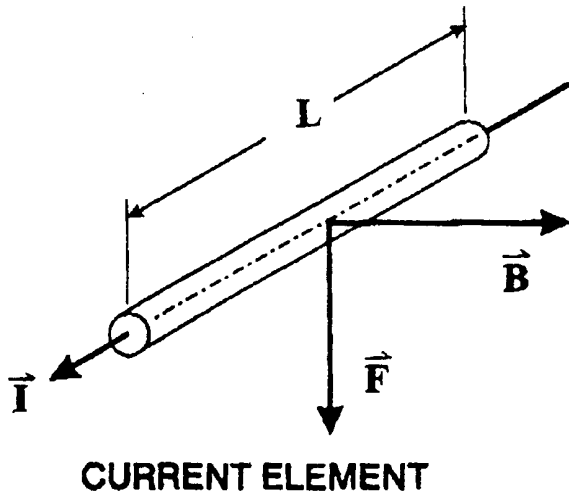


Fig. 10a

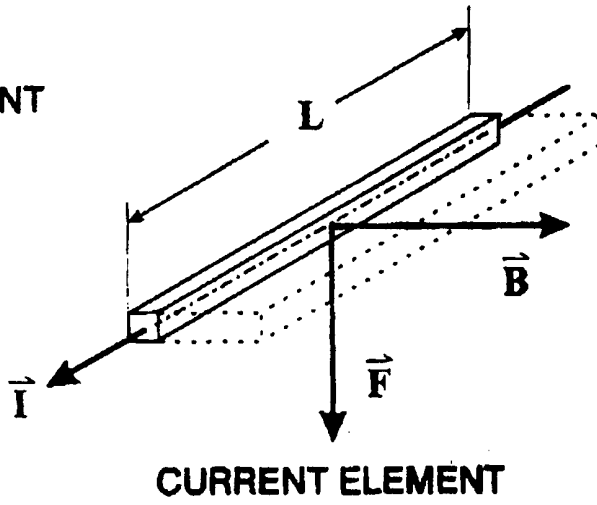


Fig. 10b

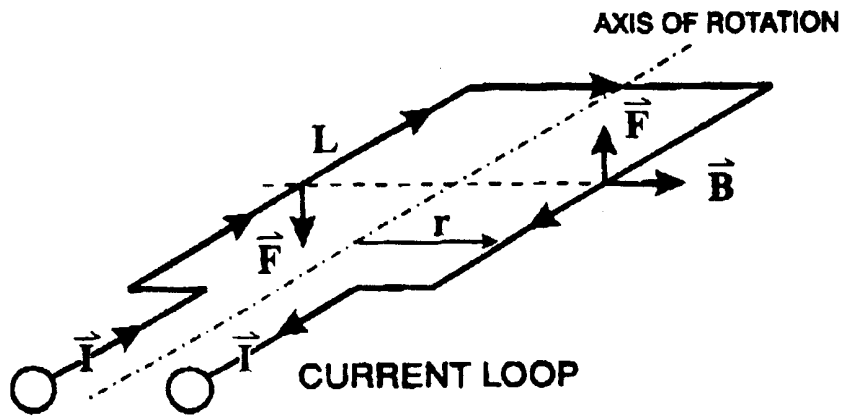


Fig. 10c

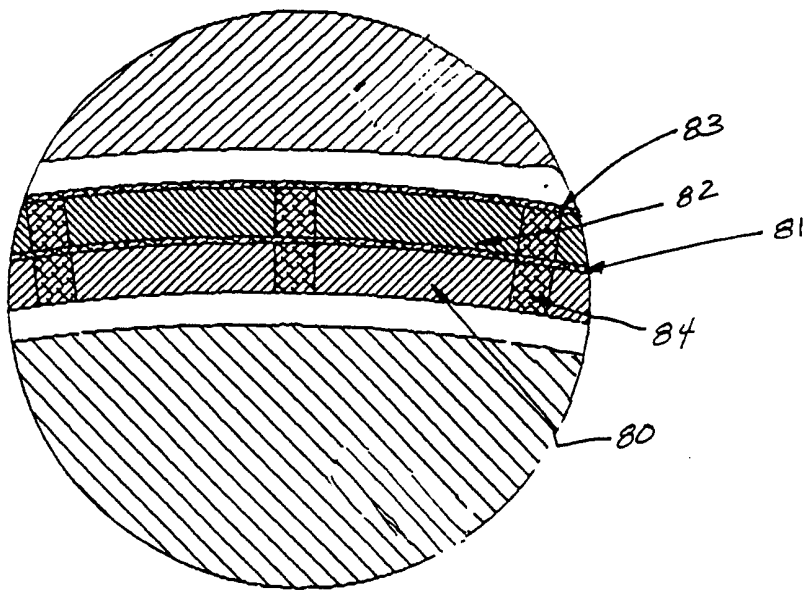


FIGURE 11

# INTERNATIONAL SEARCH REPORT

International Application No  
PCT/US 00/08374

**A. CLASSIFICATION OF SUBJECT MATTER**

IPC 7 H02K3/26

According to International Patent Classification (IPC) or to both national classification and IPC

**B. FIELDS SEARCHED**

Minimum documentation searched (classification system followed by classification symbols)

IPC 7 H02K

Documentation searched other than minimum documentation to the extent that such documents are included in the fields searched

Electronic data base consulted during the international search (name of data base and, where practical, search terms used)

EPO-Internal, PAJ

**C. DOCUMENTS CONSIDERED TO BE RELEVANT**

Category *	Citation of document, with indication, where appropriate, of the relevant passages	Relevant to claim No.
X	US 3 944 857 A (FAULHABER FRITZ) 16 March 1976 (1976-03-16) cited in the application	1-12
A	column 2, line 51 -column 4, line 46; figure 1	13-29
---		
X	US 3 805 104 A (MARGRAIN P ET AL) 16 April 1974 (1974-04-16) cited in the application	1-12
A	column 5, line 5 -column 7, line 12; figures 11-13	13-29
---		
X	US 4 187 453 A (ROUGH J KIRKWOOD H) 5 February 1980 (1980-02-05)	1-12
A	column 7, line 25 - line 48; figures 10A,10B	13-29
---		
-/--		

Further documents are listed in the continuation of box C.

Patent family members are listed in annex.

\* Special categories of cited documents :

- "A" document defining the general state of the art which is not considered to be of particular relevance
- "E" earlier document but published on or after the international filing date
- "L" document which may throw doubts on priority claim(s) or which is cited to establish the publication date of another citation or other special reason (as specified)
- "O" document referring to an oral disclosure, use, exhibition or other means
- "P" document published prior to the international filing date but later than the priority date claimed

- "T" later document published after the international filing date or priority date and not in conflict with the application but cited to understand the principle or theory underlying the invention
- "X" document of particular relevance; the claimed invention cannot be considered novel or cannot be considered to involve an inventive step when the document is taken alone
- "Y" document of particular relevance; the claimed invention cannot be considered to involve an inventive step when the document is combined with one or more other such documents, such combination being obvious to a person skilled in the art.
- "&" document member of the same patent family

Date of the actual completion of the international search

25 July 2000

Date of mailing of the international search report

02/08/2000

Name and mailing address of the ISA

European Patent Office, P.B. 5818 Patentlaan 2  
NL - 2280 HV Rijswijk  
Tel. (+31-70) 340-2040, Tx. 31 651 epo nl,  
Fax: (+31-70) 340-3016

Authorized officer

Davis, A

## INTERNATIONAL SEARCH REPORT

 Inter national Application No  
 PCT/US 00/08374

## C.(Continuation) DOCUMENTS CONSIDERED TO BE RELEVANT

Category *	Citation of document, with indication, where appropriate, of the relevant passages	Relevant to claim No.
X	US 3 816 907 A (SMALL R) 18 June 1974 (1974-06-18)	1-12
A	column 2, line 57 -column 5, line 32 ---	13-29
X	US 3 623 220 A (CHASE GORDON G ET AL) 30 November 1971 (1971-11-30)	1-12
A	column 2, line 23 -column 4, line 18; figures 1-6 ---	13-29
X	US 3 551 715 A (SILVERTOWN CYRIL ET AL) 29 December 1970 (1970-12-29)	1-12
A	column 1, line 32 -column 2, line 28; figures 1-5 ---	13-29
X	US 3 532 916 A (FISHER GENE A) 6 October 1970 (1970-10-06)	1-12
A	column 3, line 1 -column 4, line 53; figures 1-3 ---	13-29
X	US 3 209 187 A (ANGELE W) 28 September 1965 (1965-09-28)	1-12
A	column 2, line 53 -column 3, line 62; figures 1-3 -----	13-29

# INTERNATIONAL SEARCH REPORT

information on patent family members

International Application No

PCT/US 00/08374

Patent document cited in search report	Publication date	Patent family member(s)	Publication date
US 3944857    A	16-03-1976	DE 2409681 A	11-09-1975
		AT 330885 B	26-07-1976
		AT 408374 A	15-10-1975
		FR 2262880 A	26-09-1975
		JP 50119903 A	19-09-1975
US 3805104    A	16-04-1974	FR 2052056 A	09-04-1971
		BE 753197 A	16-12-1970
		CA 941591 A	12-02-1974
		DE 2033616 A	14-01-1971
		GB 1322065 A	04-07-1973
		LU 61257 A	10-09-1970
		NL 7010228 A	12-01-1971
		US 3694907 A	03-10-1972
US 4187453    A	05-02-1980	NONE	
US 3816907    A	18-06-1974	NONE	
US 3623220    A	30-11-1971	BE 760862 A	27-05-1971
		CA 949300 A	18-06-1974
		CH 513543 A	30-09-1971
		DE 2103214 A	03-08-1972
		FR 2075125 A	08-10-1971
		GB 1267898 A	22-03-1972
		JP 55014612 B	17-04-1980
US 3551715    A	29-12-1970	DE 1922860 A	30-04-1970
		FR 2007918 A	16-01-1970
		GB 1258909 A	30-12-1971
US 3532916    A	06-10-1970	DE 2023225 A	26-11-1970
		FR 2046218 A	05-03-1971
		GB 1290581 A	27-09-1972
		JP 50023482 B	08-08-1975
US 3209187    A	28-09-1965	NONE	