



US00D801299S

(12) **United States Design Patent**  
**Maas et al.**

(10) **Patent No.:** **US D801,299 S**  
(45) **Date of Patent:** **\*\* Oct. 31, 2017**

- (54) **JUKEBOX**
- (71) Applicant: **AMI Entertainment Network, LLC**,  
Trevose, PA (US)
- (72) Inventors: **Michael G. Maas**, New Hope, PA  
(US); **Jeffrey J. Kalis**, Sparta, MI (US);  
**Stephen Jarema, III**, Pittsgrove, NJ  
(US); **Mark Simpson**, Rockford, MI  
(US)
- (73) Assignee: **AMI ENTERTAINMENT  
NETWORK LLC**, Trevose, PA (US)
- (\*\*) Term: **15 Years**
- (21) Appl. No.: **29/579,747**
- (22) Filed: **Oct. 3, 2016**
- (51) **LOC (10) Cl.** ..... **14-01**
- (52) **U.S. Cl.**  
USPC ..... **D14/172**
- (58) **Field of Classification Search**  
USPC ..... D14/172, 173, 203.1–203.7, 496, 188,  
D14/265; D21/324, 325, 369;  
273/148 B; 463/1, 28–35, 46, 47; 369/1,  
369/6–12, 24.01, 30.06, 30.07, 30.08,  
369/30.23; 710/1; 711/100, 111  
CPC . A63F 9/24; A63F 13/00; G06F 17/00; G06F  
19/00  
See application file for complete search history.

4,336,935 A	6/1982	Goldfarb	
D280,747 S	9/1985	Stasney	
4,643,421 A	2/1987	Meyer et al.	
D312,639 S	12/1990	Krakauer et al.	
D316,858 S	5/1991	Gobindram	
5,031,340 A	7/1991	Hilgarth	
D324,240 S	2/1992	Huang	
D325,420 S *	4/1992	Mirando	..... D21/325
D327,508 S *	6/1992	Mirando	..... D21/325
D327,687 S	7/1992	Arbiter	
D328,202 S	7/1992	Tippit	
D329,852 S	9/1992	Lee	
5,146,618 A	9/1992	Wenner	
D334,191 S	3/1993	Yun	
D340,407 S	10/1993	Rahe et al.	
D341,163 S *	11/1993	Cohen	..... D20/10
5,281,898 A	1/1994	Albright	

(Continued)

*Primary Examiner* — Prabhakar Deshmukh  
(74) *Attorney, Agent, or Firm* — Panitch Schwarze  
Belisario & Nadel LLP

(57) **CLAIM**

The ornamental design for a jukebox, as shown and described.

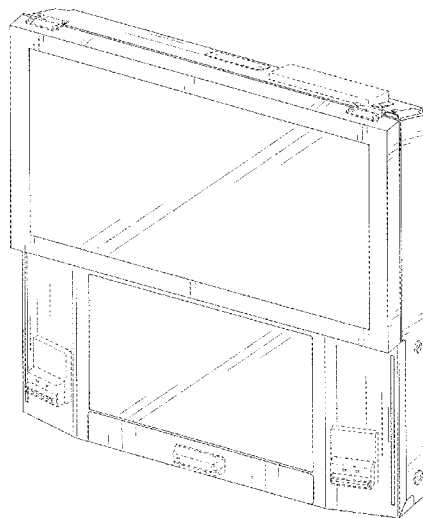
**DESCRIPTION**

FIG. 1 is a front perspective view of a jukebox showing our new design;  
FIG. 2 is a front elevational view thereof;  
FIG. 3 is a left side elevational view thereof;  
FIG. 4 is a right side elevational view thereof;  
FIG. 5 is a top plan view thereof; and,  
FIG. 6 is a bottom plan view thereof.  
The broken lines in the figures are for the purpose of showing environmental structure, are for illustrative purposes only, and form no part of the claimed design.  
The rear elevational view of the jukebox is not shown in the drawings or described in the specification and, therefore, forms no part of the claimed design.

**1 Claim, 6 Drawing Sheets**

(56) **References Cited**  
U.S. PATENT DOCUMENTS

D146,176 S	1/1947	Fuller
D152,903 S	3/1949	Principe
D197,669 S	3/1964	Kenney et al.
D219,299 S	11/1970	Vickery
D220,807 S	5/1971	Sunderberg
3,878,631 A	4/1975	Mileham
D240,266 S	6/1976	O'Neil et al.



(56)

## References Cited

## U.S. PATENT DOCUMENTS

D344,979	S *	3/1994	Cohen .....	D20/10	D451,968	S	12/2001	Sano
5,331,614	A	7/1994	Ogawa et al.		6,346,951	B1	2/2002	Mastronardi
D355,676	S	2/1995	Wilson		D458,971	S	6/2002	Stephan
D356,079	S	3/1995	Oba		D459,336	S	6/2002	Ito et al.
5,411,257	A *	5/1995	Fulton .....	G07F 17/32	6,430,117	B2	8/2002	Zimmer
				273/274	D463,503	S	9/2002	Stephan
D374,895	S *	10/1996	Mochizuki .....	D21/327	6,461,239	B1	10/2002	Sagawa et al.
5,591,081	A *	1/1997	Suzuki .....	A63F 1/18	6,508,707	B2	1/2003	DeMar et al.
				463/13	D475,029	S	5/2003	Nathan et al.
5,630,357	A	5/1997	Akiyama		6,708,812	B2	3/2004	Greim
5,651,681	A	7/1997	Chan		6,714,489	B2	3/2004	Kalis et al.
D381,983	S	8/1997	Nagai		D494,188	S	8/2004	Huang
D382,915	S *	8/1997	Yang .....	D21/327	6,779,904	B1	8/2004	Van Dyk
5,667,632	A	9/1997	Burton et al.		D495,755	S	9/2004	Wurz et al.
5,700,195	A *	12/1997	Halic .....	G07F 17/32	D498,558	S	11/2004	Kwok
				194/206	D499,083	S	11/2004	Tanaka
5,704,146	A	1/1998	Herring et al.		6,846,238	B2	1/2005	Wells
D390,843	S	2/1998	Rosen		D510,584	S	10/2005	Tierney
5,771,778	A	6/1998	MacLean, IV		6,976,623	B1	12/2005	Mambakkam et al.
D397,335	S	8/1998	Matsushita		D524,287	S	7/2006	Hibi
5,813,914	A	9/1998	McKay et al.		7,152,739	B1	12/2006	Burleson
5,820,460	A	10/1998	Fulton		D546,893	S	7/2007	Yamashita
5,851,147	A	12/1998	Stupak et al.		D547,299	S	7/2007	Obata
5,853,325	A *	12/1998	Kadlic .....	A63F 1/00	D560,651	S	1/2008	Berkheimer et al.
				273/292	D590,449	S	4/2009	Ishii et al.
D404,077	S *	1/1999	Dickenson .....	D21/369	D604,774	S	11/2009	De Viveiros Ortiz
D405,781	S	2/1999	Renk		D605,231	S	12/2009	Hashimoto et al.
D405,791	S	2/1999	Menke et al.		D616,414	S	5/2010	Nathan et al.
D408,410	S	4/1999	Zeitman		D617,389	S	6/2010	Wildner et al.
5,951,397	A	9/1999	Dickinson		D618,285	S	6/2010	Ichimura et al.
D419,606	S	1/2000	Toriyama		D619,177	S	7/2010	Lee
6,041,023	A	3/2000	Lakhansingh		D619,659	S	7/2010	Damani
6,048,271	A	4/2000	Barcelou		D629,382	S	12/2010	Nathan et al.
D425,508	S	5/2000	Fiebel et al.		D642,553	S	8/2011	Nathan et al.
D426,527	S	6/2000	Sakaguchi		D654,470	S	2/2012	Nathan et al.
6,079,985	A	6/2000	Wohl et al.		D662,487	S	6/2012	Nathan et al.
D428,062	S	7/2000	Hayashi		D665,375	S	8/2012	Garneau et al.
6,086,380	A	7/2000	Chu et al.		D670,675	S	11/2012	Garneau et al.
D439,931	S	4/2001	Yamaguchi		D686,591	S	7/2013	Garneau et al.
D442,152	S	5/2001	Roustaei		D689,461	S	9/2013	Garneau et al.
D449,346	S	10/2001	Gatto et al.		D704,160	S	5/2014	Garneau et al.
					D722,039	S	2/2015	Garneau et al.
					D727,869	S	4/2015	Jarema, III et al.
					D775,603	S	1/2017	Tooker et al.

\* cited by examiner

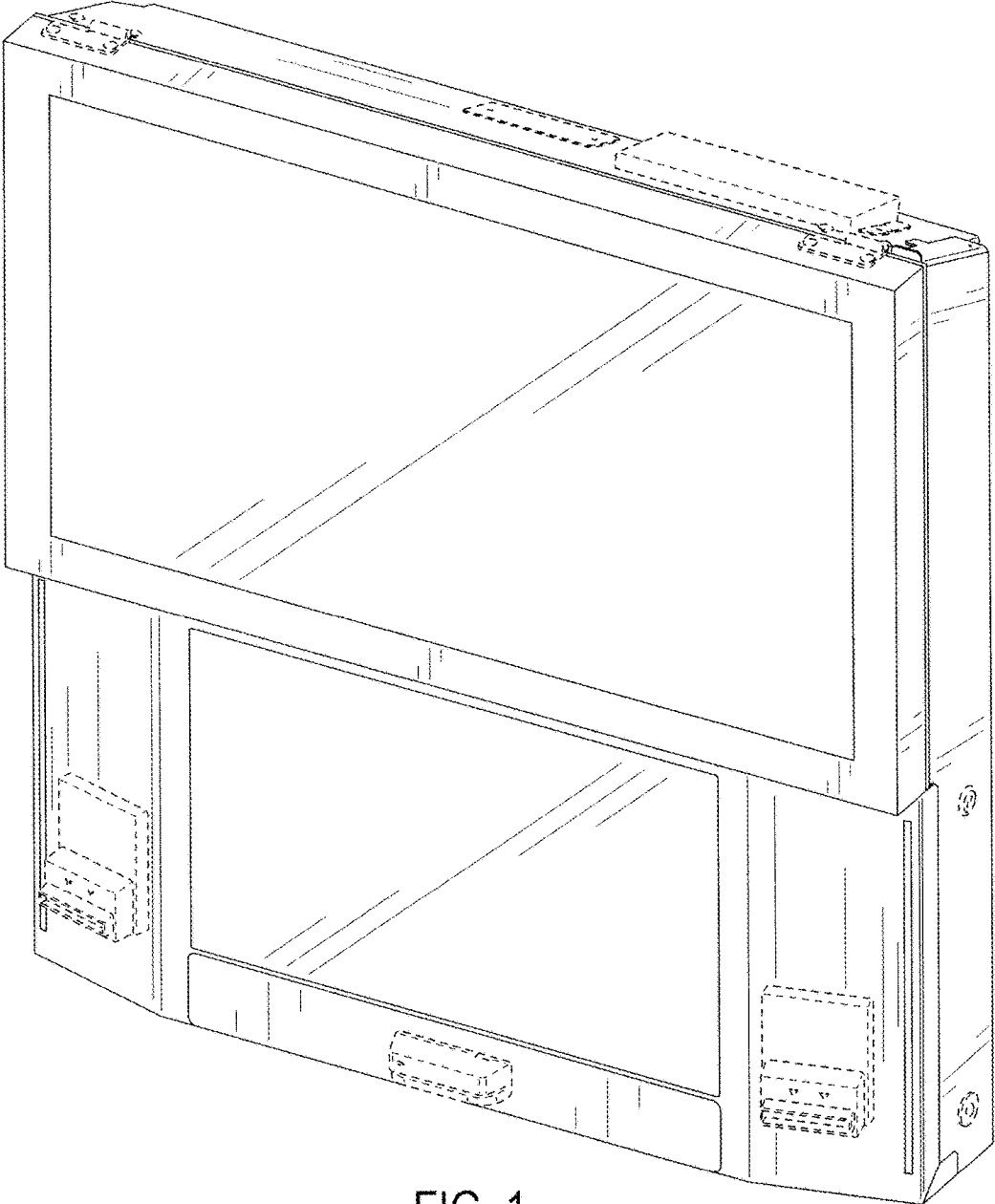


FIG. 1

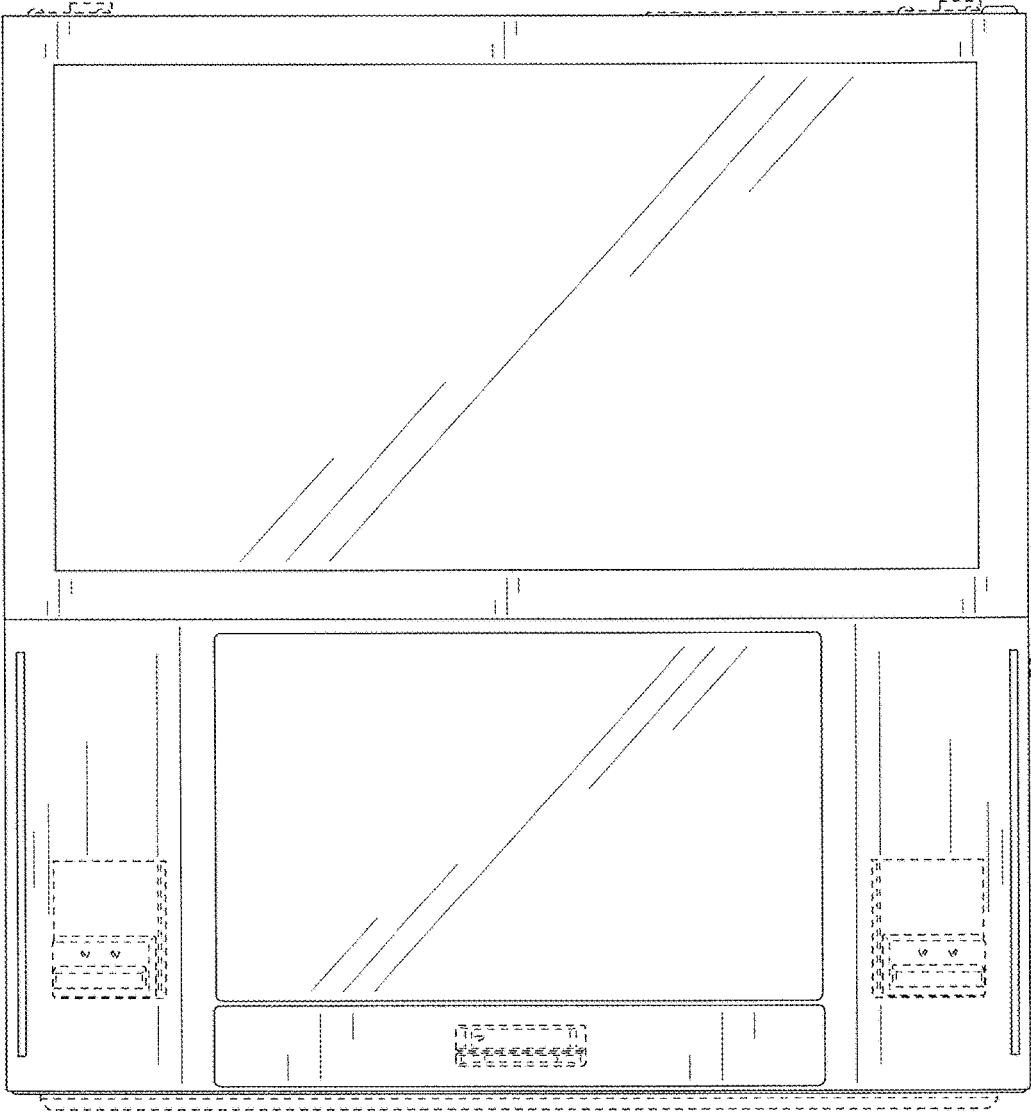


FIG. 2

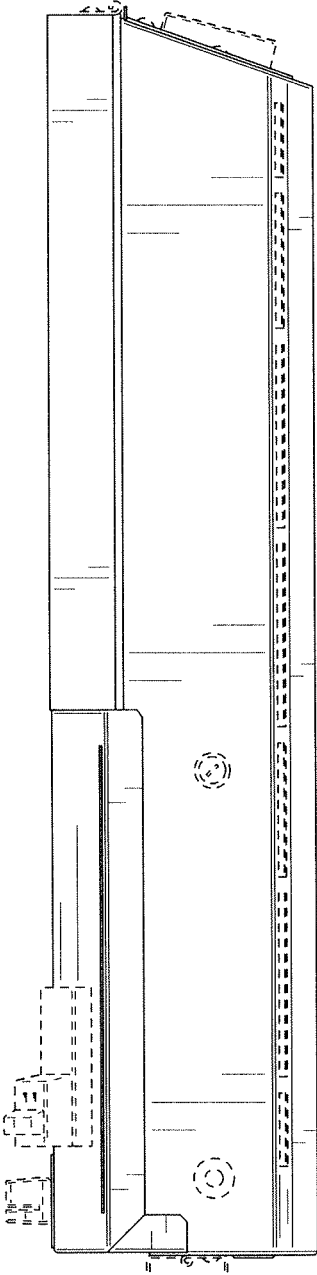


FIG. 3

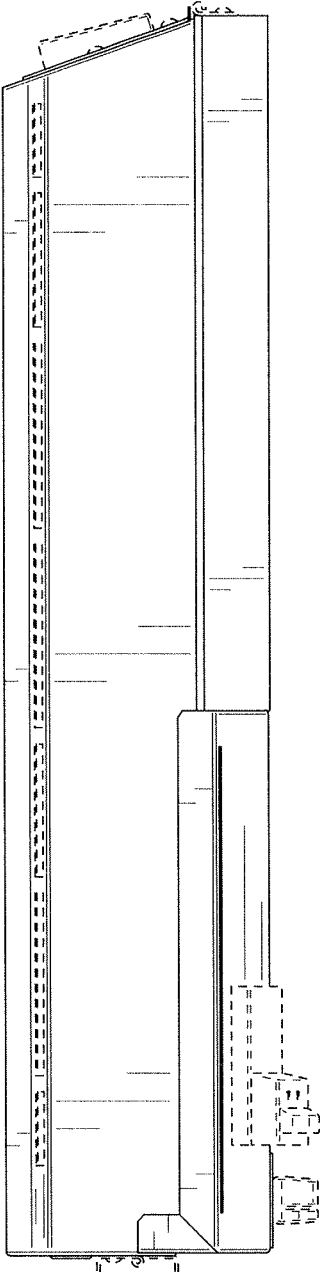


FIG. 4

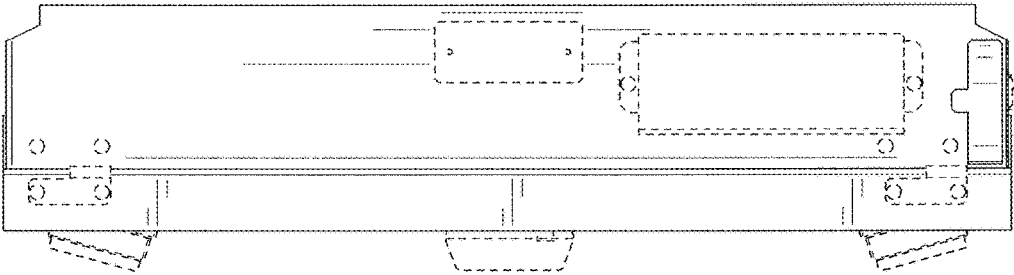


FIG. 5

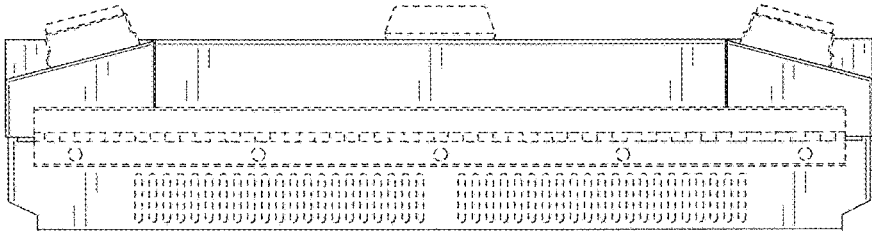


FIG. 6