

(19) World Intellectual Property Organization
International Bureau



(43) International Publication Date
28 September 2006 (28.09.2006)

PCT

(10) International Publication Number
WO 2006/101392 A3

- (51) **International Patent Classification:**
H01L 31/042 (2006.01) *E04D 13/18* (2006.01)
- (21) **International Application Number:**
PCT/NL2006/050031
- (22) **International Filing Date:**
22 February 2006 (22.02.2006)
- (25) **Filing Language:** Dutch
- (26) **Publication Language:** English
- (30) **Priority Data:**
1028379 23 February 2005 (23.02.2005) NL
- (71) **Applicant (for all designated States except US):** GIRA-SOL INTERNATIONAL B.V. [NL/NL]; Vegerinkskamp 8, NL-7437 AB Bathmen (NL).
- (72) **Inventors; and**
- (75) **Inventors/Applicants (for US only):** SMIDT, Theo, Jacob [NL/NL]; Bathmenseweg 12a, NL-7216 PB Kring Van Dorth (NL). DE VOGEL, Jeroen [NL/NL]; Pieter Bothstraat 10, NL-7412 GS Deventer (NL).
- (74) **Agents:** LANGENHUIJSEN, Bastiaan, Wilhelmus, Herman et al.; Patentwerk B.V., P.O. Box 1514, NL-5200 BN 's-Hertogenbosch (NL).
- (81) **Designated States (unless otherwise indicated, for every kind of national protection available):** AE, AG, AL, AM, AT, AU, AZ, BA, BB, BG, BR, BW, BY, BZ, CA, CH, CN,

CO, CR, CU, CZ, DE, DK, DM, DZ, EC, EE, EG, ES, FI, GB, GD, GE, GH, GM, HR, HU, ID, IL, IN, IS, JP, KE, KG, KM, KN, KP, KR, KZ, LC, LK, LR, LS, LT, LU, LV, LY, MA, MD, MG, MK, MN, MW, MX, MZ, NA, NG, NI, NO, NZ, OM, PG, PH, PL, PT, RO, RU, SC, SD, SE, SG, SK, SL, SM, SY, TJ, TM, TN, TR, TT, TZ, UA, UG, US, UZ, VC, VN, YU, ZA, ZM, ZW.

- (84) **Designated States (unless otherwise indicated, for every kind of regional protection available):** ARIPO (BW, GH, GM, KE, LS, MW, MZ, NA, SD, SL, SZ, TZ, UG, ZM, ZW), Eurasian (AM, AZ, BY, KG, KZ, MD, RU, TJ, TM), European (AT, BE, BG, CH, CY, CZ, DE, DK, EE, ES, FI, FR, GB, GR, HU, IE, IS, IT, LT, LU, LV, MC, NL, PL, PT, RO, SE, SI, SK, TR), OAPI (BF, BJ, CF, CG, CI, CM, GA, GN, GQ, GW, ML, MR, NE, SN, TD, TG).

Declaration under Rule 4.17:

— as to applicant's entitlement to apply for and be granted a patent (Rule 4.17(ii))

Published:

— with international search report

- (88) **Date of publication of the international search report:**
29 March 2007

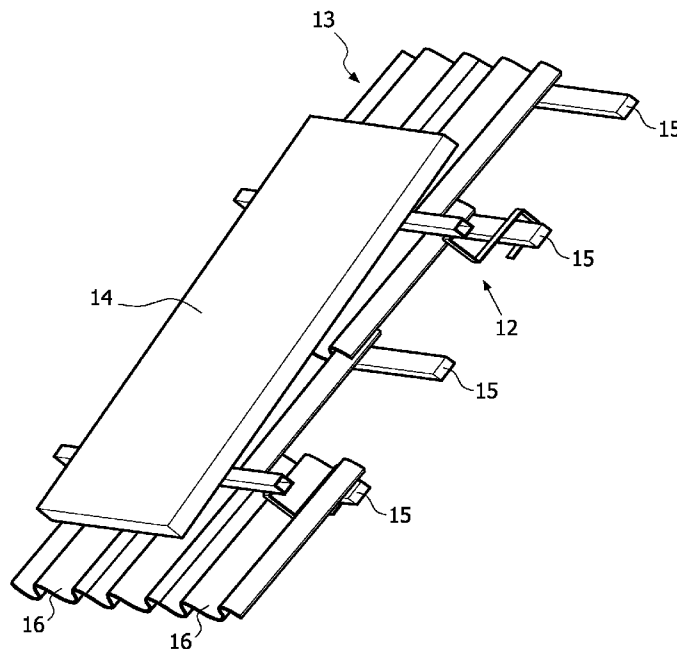
(15) **Information about Correction:**

Previous Correction:

see PCT Gazette No. 07/2007 of 15 February 2007

[Continued on next page]

- (54) **Title:** DEVICE AND METHOD FOR FIXING OBJECTS, IN PARTICULAR SOLAR PANELS, TO A ROOF



- (57) **Abstract:** The invention relates to a device for fixing objects, in particular solar panels, to a roof. The invention also relates to an assembly of such devices. The invention further relates to a method for fixing objects, in particular solar panels, to a roof.

WO 2006/101392 A3



For two-letter codes and other abbreviations, refer to the "Guidance Notes on Codes and Abbreviations" appearing at the beginning of each regular issue of the PCT Gazette.

INTERNATIONAL SEARCH REPORT

International application No
PCT/NL2006/050031

A. CLASSIFICATION OF SUBJECT MATTER
INV. H01L31/042 E04D13/18

According to International Patent Classification (IPC) or to both national classification and IPC

B. FIELDS SEARCHED

Minimum documentation searched (classification system followed by classification symbols)
H01L F24J

Documentation searched other than minimum documentation to the extent that such documents are included in the fields searched

Electronic data base consulted during the international search (name of data base and, where practical, search terms used)

EPO-Internal, WPI Data

C. DOCUMENTS CONSIDERED TO BE RELEVANT

Category*	Citation of document, with indication, where appropriate, of the relevant passages	Relevant to claim No.
X	DE 198 11 399 A1 (DACHZIEGELWERKE PFLEIDERER GMB [DE]) 23 September 1999 (1999-09-23) column 3, line 14 - column 5, line 1; claim 1; figures 1,3-5	1-7,9, 11-13
X	DE 298 17 311 U1 (MAGE GMBH [DE]) 3 December 1998 (1998-12-03) page 6 - page 7; claims 1-12; figure 1	1-7,9, 11-13
X	WO 99/17063 A (WISMETH WOLFGANG [DE]) 8 April 1999 (1999-04-08) page 5, line 24 - page 7, line 2; figures 2,3	1-4,8,9, 11-13
	----- -/--	

Further documents are listed in the continuation of Box C.

See patent family annex.

* Special categories of cited documents :

- *A* document defining the general state of the art which is not considered to be of particular relevance
- *E* earlier document but published on or after the international filing date
- *L* document which may throw doubts on priority claim(s) or which is cited to establish the publication date of another citation or other special reason (as specified)
- *O* document referring to an oral disclosure, use, exhibition or other means
- *P* document published prior to the international filing date but later than the priority date claimed

- *T* later document published after the international filing date or priority date and not in conflict with the application but cited to understand the principle or theory underlying the invention
- *X* document of particular relevance; the claimed invention cannot be considered novel or cannot be considered to involve an inventive step when the document is taken alone
- *Y* document of particular relevance; the claimed invention cannot be considered to involve an inventive step when the document is combined with one or more other such documents, such combination being obvious to a person skilled in the art.
- *&* document member of the same patent family

Date of the actual completion of the international search

19 December 2006

Date of mailing of the international search report

29/12/2006

Name and mailing address of the ISA/
European Patent Office, P.B. 5818 Patentlaan 2
NL - 2280 HV Rijswijk
Tel. (+31-70) 340-2040, Tx. 31 651 epo nl,
Fax: (+31-70) 340-3016

Authorized officer

Visentin, Alberto

INTERNATIONAL SEARCH REPORT

International application No
PCT/NL2006/050031

C(Continuation). DOCUMENTS CONSIDERED TO BE RELEVANT		
Category*	Citation of document, with indication, where appropriate, of the relevant passages	Relevant to claim No.
X	DE 299 12 699 U1 (REGEN ENERGIESYSTEME GMBH [DE]) 5 January 2000 (2000-01-05) page 3, line 33 - page 5, line 15; figures 1-5	1-4, 11-13
A	EP 1 348 915 A2 (SCHUECO INT KG [DE]) 1 October 2003 (2003-10-01) the whole document	1-4,8,9, 11-13
A	DE 103 44 202 A1 (MUELLER GERALD [DE]) 1 April 2004 (2004-04-01) the whole document	1-5,8,9, 11-13
A	US 2004/221524 A1 (PODDANY JAMES J [US] ET AL.) 11 November 2004 (2004-11-11)	
A	DE 101 32 557 A1 (ANTEC SOLAR GMBH [DE]) 6 June 2002 (2002-06-06)	

INTERNATIONAL SEARCH REPORT

Information on patent family members

International application No
PCT/NL2006/050031

Patent document cited in search report	Publication date	Patent family member(s)	Publication date
DE 19811399	A1	23-09-1999	NONE
DE 29817311	U1	03-12-1998	AU 1372800 A 17-04-2000 WO 0019542 A1 06-04-2000 DE 19981949 D2 20-06-2002
WO 9917063	A	08-04-1999	AT 209325 T 15-12-2001 DE 29717449 U1 08-01-1998 EP 1034406 A1 13-09-2000 US 6405494 B1 18-06-2002
DE 29912699	U1	05-01-2000	NONE
EP 1348915	A2	01-10-2003	DE 10213902 A1 09-10-2003
DE 10344202	A1	01-04-2004	DE 10344201 A1 13-05-2004
US 2004221524	A1	11-11-2004	EP 1623083 A1 08-02-2006 WO 2004101938 A1 25-11-2004
DE 10132557	A1	06-06-2002	NONE