

(19) World Intellectual Property Organization  
International Bureau



(43) International Publication Date  
31 May 2001 (31.05.2001)

PCT

(10) International Publication Number  
WO 01/38767 A3

(51) International Patent Classification<sup>7</sup>: F16C 11/00,  
11/06, G09B 9/14, 19/08, 19/16

Sr.: 12077 Cottonwood Street, NW, Coon Rapids, MN  
55448 (US).

(21) International Application Number: PCT/US00/42258

(74) Agents: KOEHLER, Steven, M. et al.; Westman, Cham-  
plin & Kelly, P.A., Suite 1600, International Centre, 900  
Second Avenue South, Minneapolis, MN 55402-3319  
(US).

(22) International Filing Date:  
22 November 2000 (22.11.2000)

(81) Designated States (national): JP, KR.

(25) Filing Language: English

(84) Designated States (regional): European patent (AT, BE,  
CH, CY, DE, DK, ES, FI, FR, GB, GR, IE, IT, LU, MC,  
NL, PT, SE, TR).

(26) Publication Language: English

(30) Priority Data:  
60/167,143 23 November 1999 (23.11.1999) US

Published:  
— with international search report

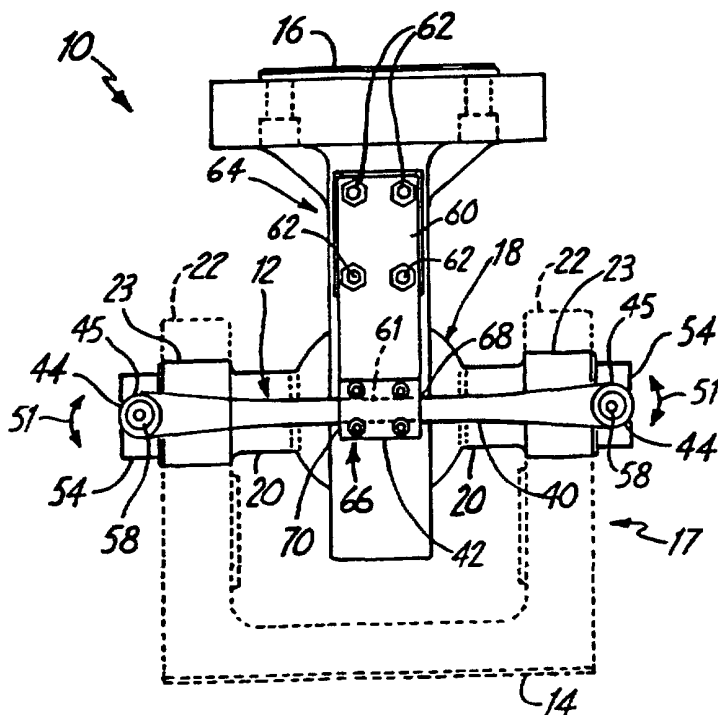
(71) Applicant: MTS SYSTEMS CORPORATION  
[US/US]; 14000 Technology Drive, Eden Prairie, MN  
55344-2290 (US).

(88) Date of publication of the international search report:  
10 January 2002

(72) Inventors: TUSHAR, Thomas, A.; 10816 Little Avenue  
South, Bloomington, MN 55437 (US). LESKA, Paul, J.,

For two-letter codes and other abbreviations, refer to the "Guid-  
ance Notes on Codes and Abbreviations" appearing at the begin-  
ning of each regular issue of the PCT Gazette.

(54) Title: SPHERICAL SWIVEL WITH ELASTOMERIC POSITIONING DEVICE



(57) Abstract: A spherical swivel (10) includes a base assembly (17) having a clevis (14) and a ball (18) joined to the clevis (14). A swivel eye (16) is movably joined to the ball (18). An elastomeric band positioning device (12) includes an elastomeric band (40) that is secured at opposite ends to the base assembly (17) and is further secured to the swivel eye (16).

WO 01/38767 A3

**INTERNATIONAL SEARCH REPORT**

International application No.  
PCT/US00/42258

**A. CLASSIFICATION OF SUBJECT MATTER**  
 IPC(7) : F16C 11/00,06; G09B 9/14, 19/08, 19/16  
 US CL : 403/57,79,122,131,132,157,  
 According to International Patent Classification (IPC) or to both national classification and IPC

**B. FIELDS SEARCHED**  
 Minimum documentation searched (classification system followed by classification symbols)  
 U.S. : 403/57,79,122,131,132,157,

Documentation searched other than minimum documentation to the extent that such documents are included in the fields searched

Electronic data base consulted during the international search (name of data base and, where practicable, search terms used)

**C. DOCUMENTS CONSIDERED TO BE RELEVANT**

| Category * | Citation of document, with indication, where appropriate, of the relevant passages | Relevant to claim No. |
|------------|--|-----------------------|
| A          | US 526,013 A (Howard) 11 September 1894 (11.09.1894), page 1, lines 48-60.         | 1-8 and 17-20         |
| A          | US 4,139,245 A (McCloskey) 13 February 1979 (13.02.1979), Abstract.                | 1-8 and 17-20         |
| A          | US 5,519,913 A (Schedule) 28 May 1996 (28.05.1996), Abstract                       | 1-8 and 17-20         |
| A          | US 5,752,834 A (Ling) 19 May 1998 (19.05.1998), column 3, lines 46-55.             | 9-16                  |

Further documents are listed in the continuation of Box C.  See patent family annex.

| * Special categories of cited documents:  | "T" | later document published after the international filing date or priority date and not in conflict with the application but cited to understand the principle or theory underlying the invention  |
|---|-----|--|
| "A" document defining the general state of the art which is not considered to be of particular relevance  | "X" | document of particular relevance; the claimed invention cannot be considered novel or cannot be considered to involve an inventive step when the document is taken alone   |
| "E" earlier application or patent published on or after the international filing date   | "Y" | document of particular relevance; the claimed invention cannot be considered to involve an inventive step when the document is combined with one or more other such documents, such combination being obvious to a person skilled in the art |
| "L" document which may throw doubts on priority claim(s) or which is cited to establish the publication date of another citation or other special reason (as specified) | "&" | document member of the same patent family  |
| "O" document referring to an oral disclosure, use, exhibition or other means  |     |  |
| "P" document published prior to the international filing date but later than the priority date claimed  |     |  |

Date of the actual completion of the international search: 09 April 2001 (09.04.2001)  
 Date of mailing of the international search report: 05 JUN 2001

Name and mailing address of the ISA/US: Commissioner of Patents and Trademarks, Box PCT, Washington, D.C. 20231, Facsimile No. (703)305-3230  
 Authorized officer: Lynne H Browne (signature), Telephone No. 703-308-2168