



US00D513817S

(12) **United States Design Patent**
Miller et al.

(10) **Patent No.:** US D513,817 S
(45) **Date of Patent:** ** Jan. 24, 2006

- (54) **LITTER BOX**
- (76) Inventors: **RuthAnne Miller**, 27 E. 22nd St., Suite 10B, New York, NY (US) 10010;
Adrianna Fusco, 27 E. 22nd St., Suite 10B, New York, NY (US) 10010
- (**) Term: **14 Years**
- (21) Appl. No.: **29/209,649**
- (22) Filed: **Jul. 20, 2004**

Related U.S. Application Data

- (62) Division of application No. 29/155,564, filed on Feb. 12, 2002, now Pat. No. Des. 502,576.
- (51) **LOC (8) Cl.** **30-99**
- (52) **U.S. Cl.** **D30/161; D7/550.1**
- (58) **Field of Classification Search** D30/108-112, D30/114-119, 160-161; 119/161-170, 847, 119/706, 285, 485, 498; 15/257.05, 257.06; D7/691, 550.1; D32/53.1, 55; D9/431, 456; 217/5

See application file for complete search history.

(56) **References Cited**

U.S. PATENT DOCUMENTS

3,111,932 A	*	11/1963	Knutson	119/165
3,227,138 A	*	1/1966	Campbell	119/163
D212,009 S	*	8/1968	Madlem	D30/118
D214,919 S	*	8/1969	Moberger	D30/161
3,752,494 A	*	8/1973	Dunn	15/257.06
3,790,201 A	*	2/1974	Morsilli	15/257.06
D237,283 S		10/1975	Evans	
D248,333 S		6/1978	Haugen	
4,103,810 A	*	8/1978	Hickey	D30/118
D250,051 S		10/1978	Spinks	
D260,722 S	*	9/1981	Bateman	D7/691
4,711,198 A	*	12/1987	Mossbarger	119/168
D298,672 S		11/1988	Herbst	

D300,967 S		5/1989	Conner	
D300,968 S		5/1989	Conner	
D308,429 S		6/1990	VanSkiver	
4,986,218 A	*	1/1991	Cassone	119/169
5,080,046 A	*	1/1992	Cassone	119/168
5,099,794 A		3/1992	Pearce, Jr.	
D331,649 S		12/1992	Saja	
5,195,464 A	*	3/1993	Mutter	119/165
5,211,134 A		5/1993	Bolo, III	
D342,164 S	*	12/1993	Dalman	D6/333
D350,422 S		9/1994	Foster, Sr.	
D367,733 S		3/1996	Paxman et al.	
5,522,347 A	*	6/1996	Merino	119/165
5,601,052 A	*	2/1997	Rood et al.	119/166
D388,560 S	*	12/1997	Savicki	D30/161
D392,076 S		3/1998	Goemans	
D408,599 S	*	4/1999	Vice et al.	D30/161
6,270,275 B1	*	8/2001	Martz	15/257.05
D453,243 S	*	1/2002	Burke	D30/161
6,622,340 B2	*	9/2003	Rosa	15/257.06

* cited by examiner

Primary Examiner—Cathy Anne MacCormac
(74) *Attorney, Agent, or Firm*—Cowan Liebowitz & Latman, P.C.; Mark Montague, Esq.

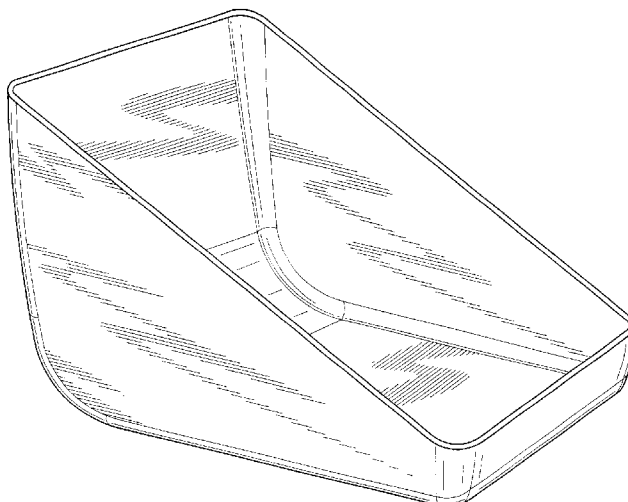
(57) **CLAIM**

An ornamental design for a litter box, as shown and described.

DESCRIPTION

FIG. 1 is a perspective view of the litter box of the present invention;
FIG. 2 is a front elevational view thereof;
FIG. 3 is a rear elevational view thereof;
FIG. 4 is a right side elevational view thereof;
FIG. 5 is a left side elevational view thereof; and,
FIG. 6 is a top plan view thereof.

1 Claim, 3 Drawing Sheets



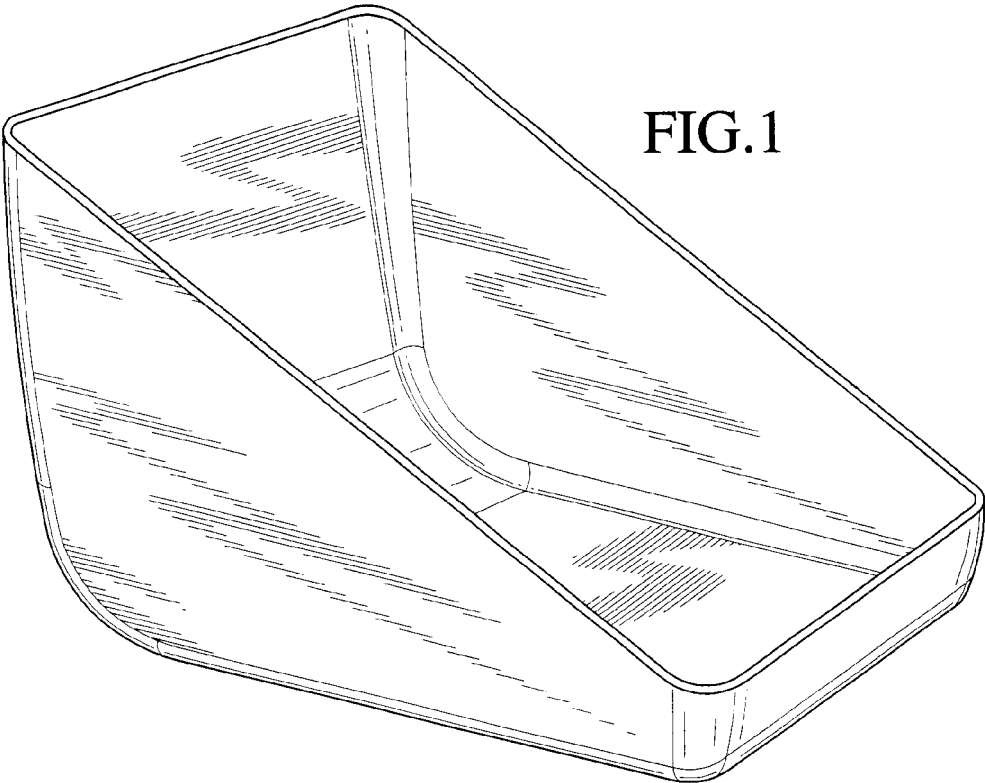
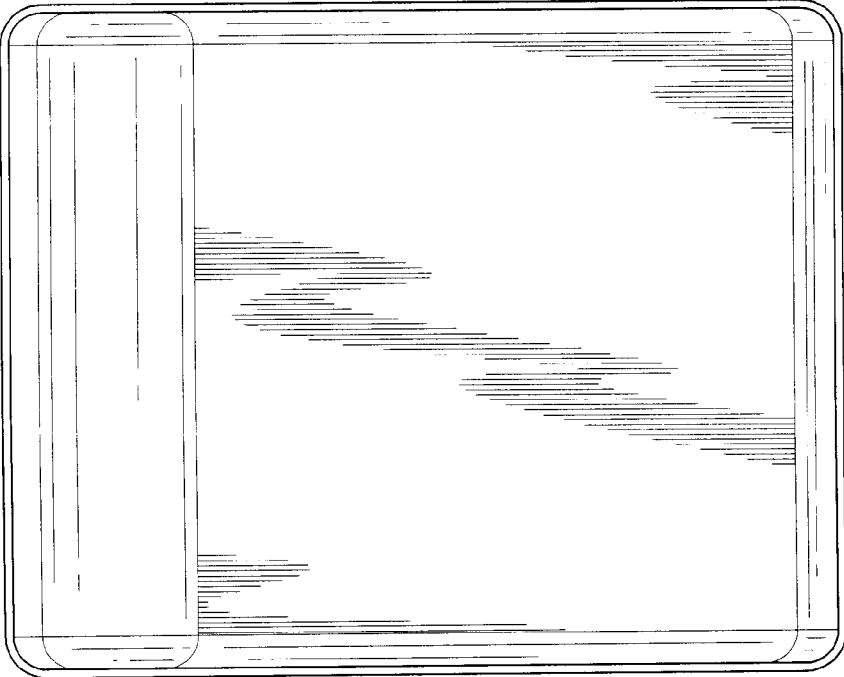


FIG. 1

FIG. 6



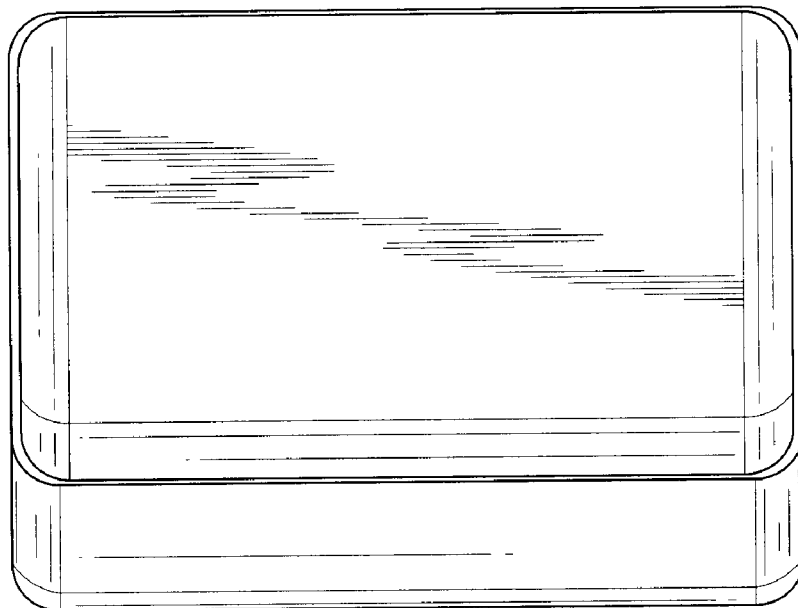


FIG. 2

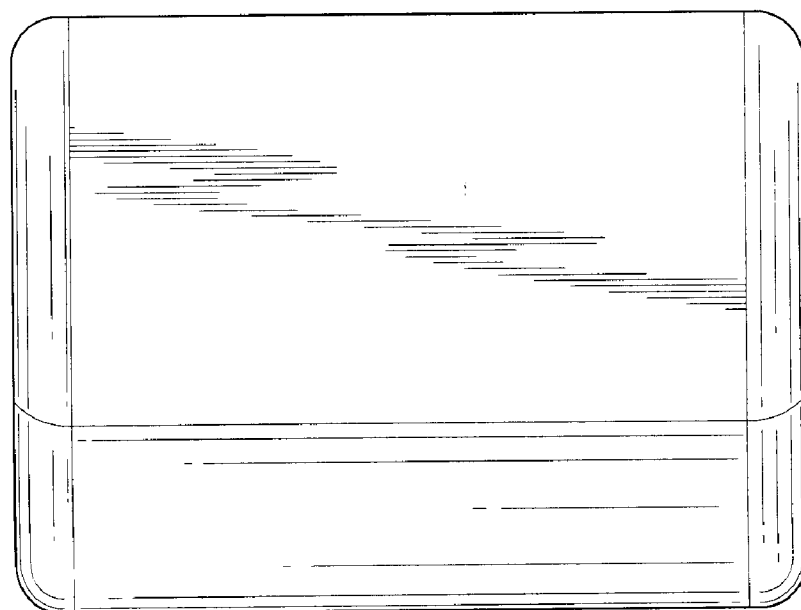


FIG. 3

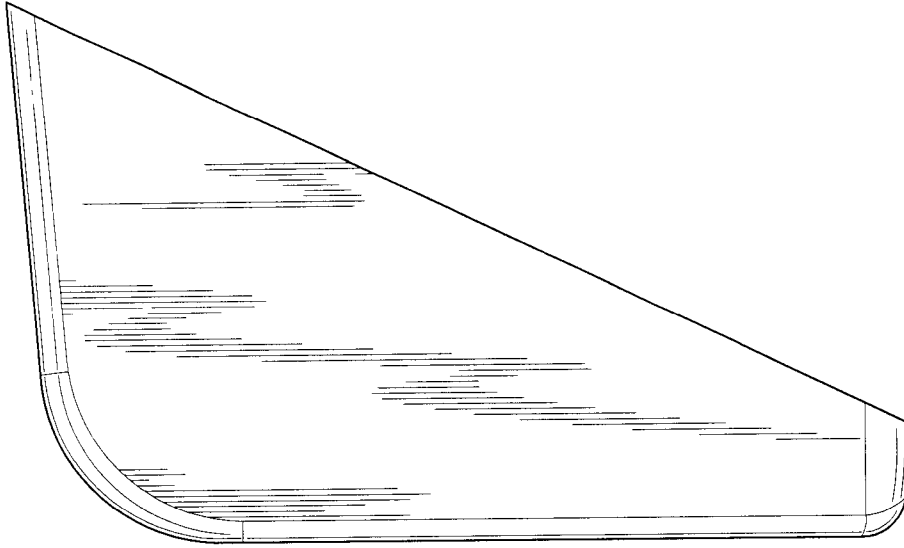


FIG. 4

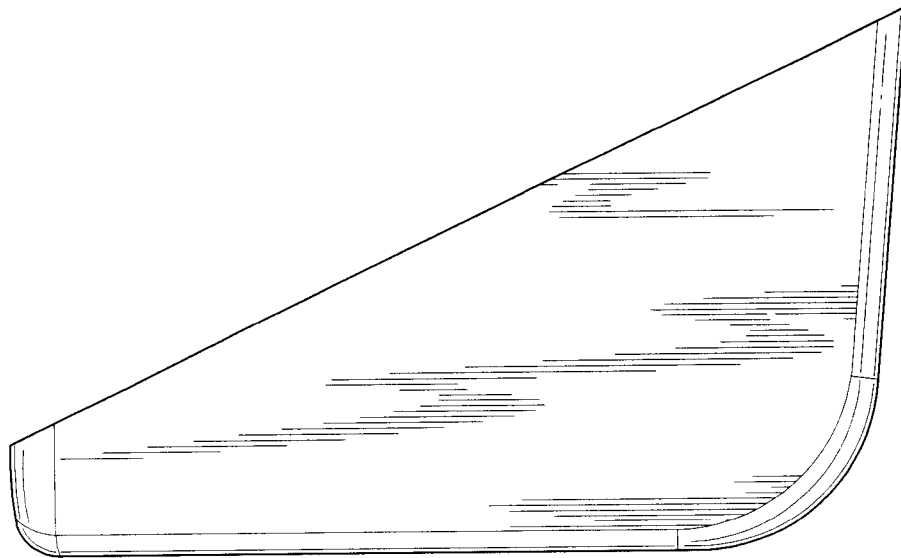


FIG. 5