



US0D1024763S

(12) **United States Design Patent**  
**Tan**

(10) **Patent No.:** **US D1,024,763 S**

(45) **Date of Patent:** **\*\* Apr. 30, 2024**

(54) **CONTAINER**

(71) Applicant: **TAISHAN SHILONG PLASTICS CO., LTD**, Taishan (CN)

(72) Inventor: **Xuneng Tan**, Taishan (CN)

(\*\*) Term: **15 Years**

(21) Appl. No.: **29/864,890**

(22) Filed: **Jun. 27, 2022**

(30) **Foreign Application Priority Data**

Dec. 27, 2021 (CN) ..... 202130861475.0

(51) **LOC (14) Cl.** ..... **09-03**

(52) **U.S. Cl.**  
USPC ..... **D9/425**

(58) **Field of Classification Search**

USPC ..... D9/414, 415, 418, 420, 421, 422, 423, D9/424, 425, 428, 429, 430, 431, 432, D9/434, 455, 456, 457, 499, 500, 501, D9/502, 503, 504, 722, 737, 748, 655, D9/661, 707, 711, 713, 702; D7/387, D7/391, 392, 392.1, 396.1, 396.2, 396.3, D7/396.4, 397, 398, 401.1, 507, 509, 510, D7/511, 538, 900, 600, 601; D3/201,  
(Continued)

(56) **References Cited**

**U.S. PATENT DOCUMENTS**

D408,734 S \* 4/1999 McCann ..... D9/423  
D680,860 S \* 4/2013 Schuler ..... D9/426  
(Continued)

**FOREIGN PATENT DOCUMENTS**

CA 184576 \* 2/2019  
CA 184577 \* 2/2019  
(Continued)

**OTHER PUBLICATIONS**

Clamshell Food Containers, posted Jun. 8, 2022 [retrieved Aug. 28, 2023]. Retrieved from internet, <https://www.amazon.com/YANGRUI-Clamshell-Containers-Compartment-Microwave/dp/B0B3J8WXCXN> (Year: 2022).\*

(Continued)

*Primary Examiner* — Darcey E Gottschalk

*Assistant Examiner* — Haley K Schnebele

(74) *Attorney, Agent, or Firm* — INNOVATION CAPITAL LAW GROUP, LLP; Vic Lin

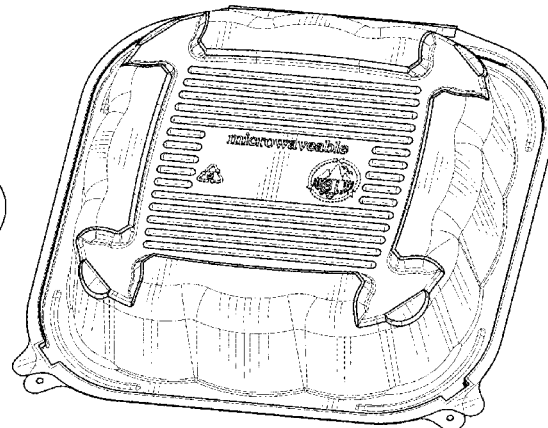
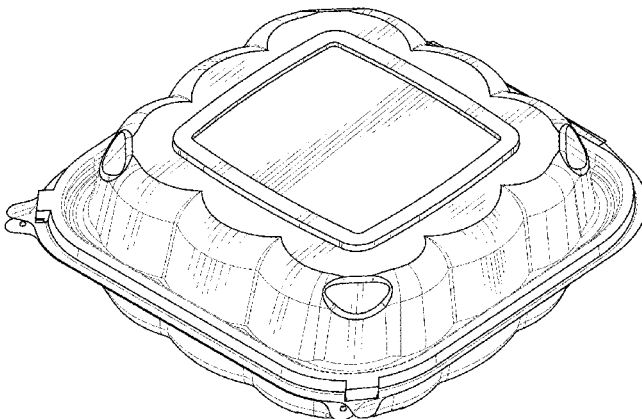
(57) **CLAIM**

The ornamental design for a container, as shown and described.

**DESCRIPTION**

FIG. 1 is a top plan view of a first embodiment of a container, showing my new design;  
FIG. 2 is a bottom plan view thereof;  
FIG. 3 is a left side elevation view thereof;  
FIG. 4 is a right side elevation view thereof;  
FIG. 5 is a front elevation view thereof;  
FIG. 6 is a rear elevation view thereof;  
FIG. 7 is a top perspective view thereof;  
FIG. 8 is a bottom perspective view thereof;  
FIG. 9 is a top plan view of a second embodiment of a container, showing my new design;  
FIG. 10 is a bottom plan view thereof;  
FIG. 11 is a left side elevation view thereof;  
FIG. 12 is a right side elevation view thereof;  
FIG. 13 is a front elevation view thereof;  
FIG. 14 is a rear elevation view thereof;  
FIG. 15 is a top perspective view thereof; and,  
FIG. 16 is a bottom perspective view thereof.  
The broken lines shown in the figures depict portions of the container that form no part of the claimed design.

**1 Claim, 14 Drawing Sheets**



(58) **Field of Classification Search**

USPC ..... D3/202, 203.1, 203.2, 203.5, 203.8, 204,  
                   D3/205, 206, 207, 212, 276, 282;  
                   D28/91, 91.1; D34/1, 5, 6, 7, 8, 9, 10,  
                   D34/11; D19/113, 114, 135; D6/682.3,  
                   D6/682.4; D24/227  
 CPC .... A61J 1/00; A61J 1/16; A61J 1/2055; A61J  
           1/2065; A61J 1/1412; B65D 1/00; B65D  
           1/02; B65D 1/10; B65D 1/46; B65D  
           2585/56; B65D 2585/545; B65D 41/00;  
           B65D 41/38; B65D 41/56; B65D 41/62;  
           B65D 47/00; B65D 47/06; B65D 47/08;  
           B65D 2543/00046; B65D 2543/00092;  
           B65D 2543/00296; B65D 5/46; B65D  
           2251/00; B65D 1/12; B65D 1/14; B65D  
           25/00; B65D 43/02; B65D 73/00; B65D  
           73/0014; B65D 75/00; B65D 2201/00;  
           A61M 5/002; A61M 2209/06

See application file for complete search history.

(56) **References Cited**

U.S. PATENT DOCUMENTS

D681,446 S *	5/2013	Schulter .....	D9/761
D694,619 S *	12/2013	Pham .....	D9/426
D749,412 S *	2/2016	Hu .....	D9/426
D793,811 S *	8/2017	Ng .....	D7/540
D805,857 S *	12/2017	Mei .....	D7/629

D826,709 S *	8/2018	Mei .....	D9/426
D886,595 S *	6/2020	Wouters .....	D9/426
D896,636 S *	9/2020	Tan .....	D9/426
D919,427 S *	5/2021	Huang .....	D9/426
D924,051 S *	7/2021	Mueller .....	D9/425
D937,672 S *	12/2021	Bontrager .....	D9/425
D996,206 S *	8/2023	Liu .....	D9/425
D1,007,297 S *	12/2023	Liu .....	D9/425

FOREIGN PATENT DOCUMENTS

CN	305051527	*	3/2019
IN	361778-001-0001	*	6/2023
JP	D1706896	*	2/2022

OTHER PUBLICATIONS

Disposable Take out Microwave Safe Food Containers, posted date not available [retrieved Aug. 28, 2023]. Retrieved from internet, <https://www.easynngreen.com/products/disposable-eco-friendly-take-out-microwave-safe-cornstarch-food-containers-294/> (Year: 2023).\*

Clamshell Food Containers, posted Mar. 31, 2022 [retrieved Aug. 28, 2023]. Retrieved from internet, <https://www.amazon.com/YANGRUI-Clamshell-Containers-Microwave-Biodegradable/dp/B09WYJFYMS> (Year: 2022).\*

Eco Friendly Clam Shell Take Out Food Container, posted Dec. 23, 2020 [retrieved Aug. 28, 2023]. Retrieved from internet, <https://www.amazon.com/PACK-6x9x3-Friendly-Shell-Container/dp/B08R7VGJF1> (Year: 2020).\*

\* cited by examiner

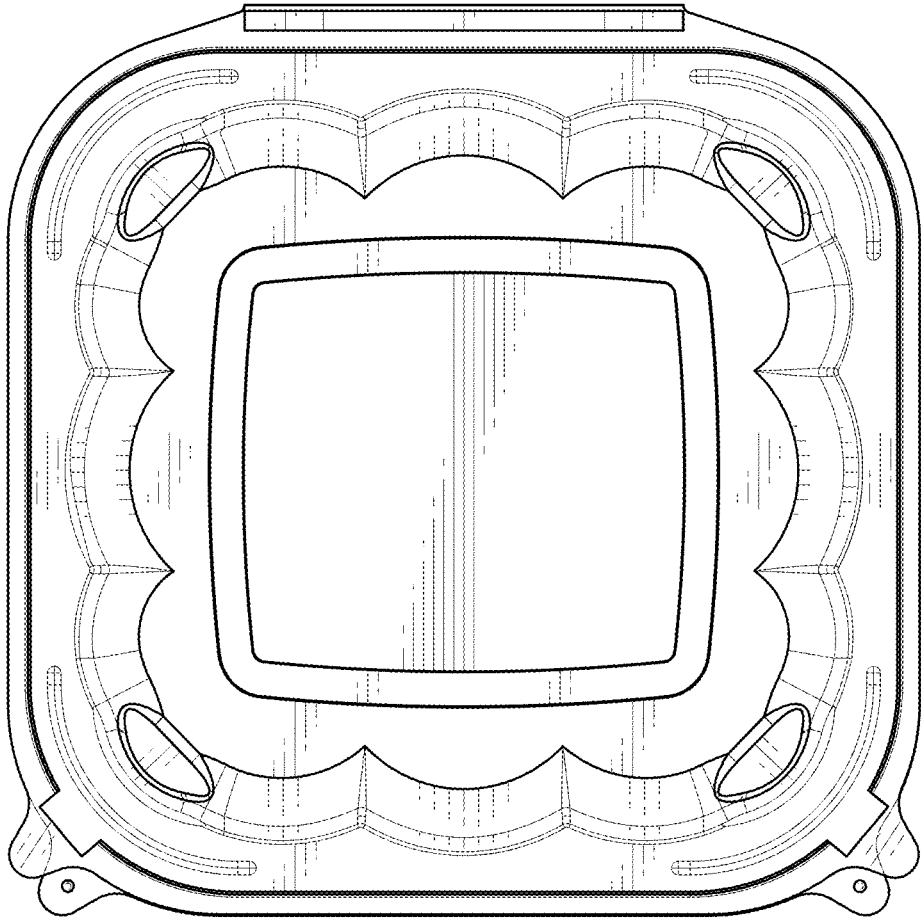


FIG. 1

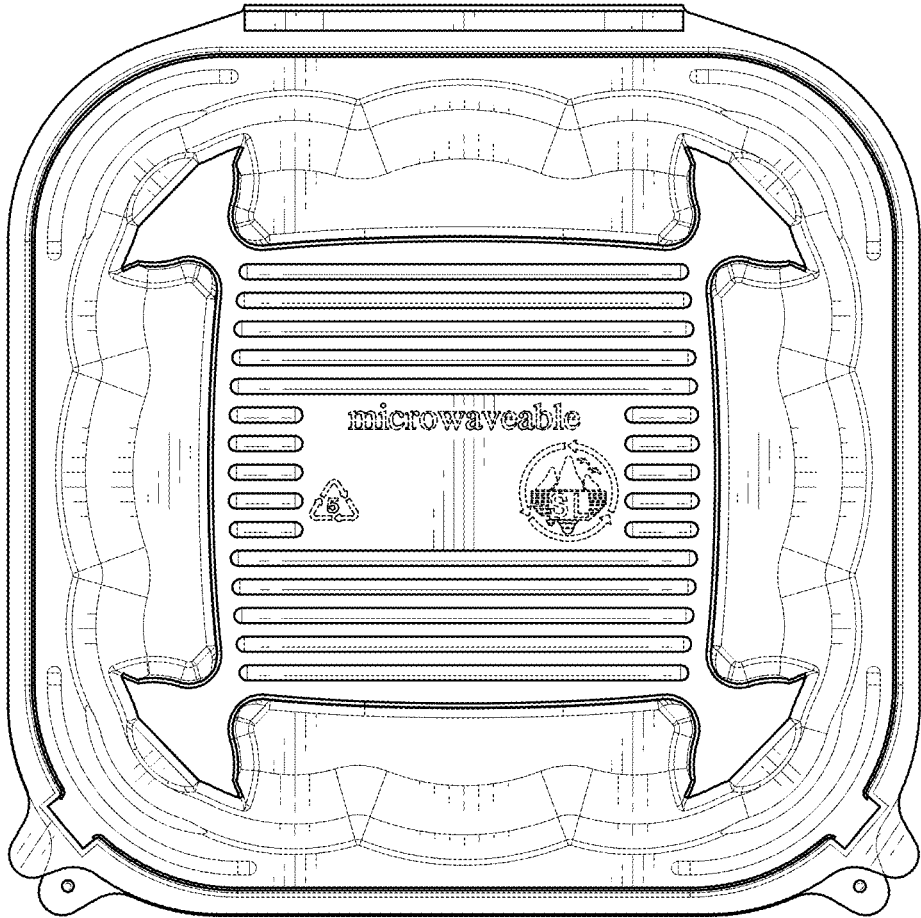


FIG. 2

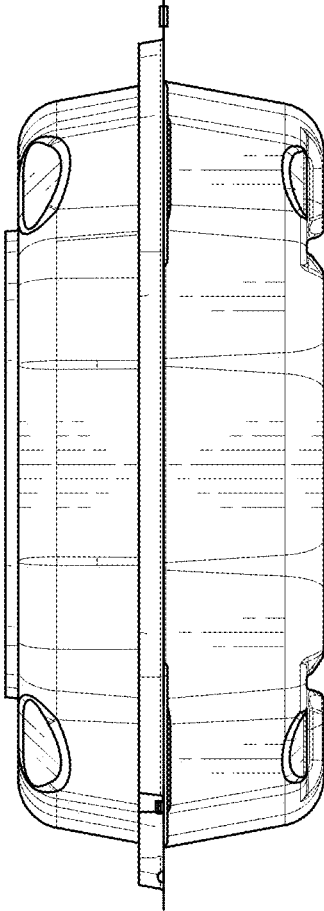


FIG. 3

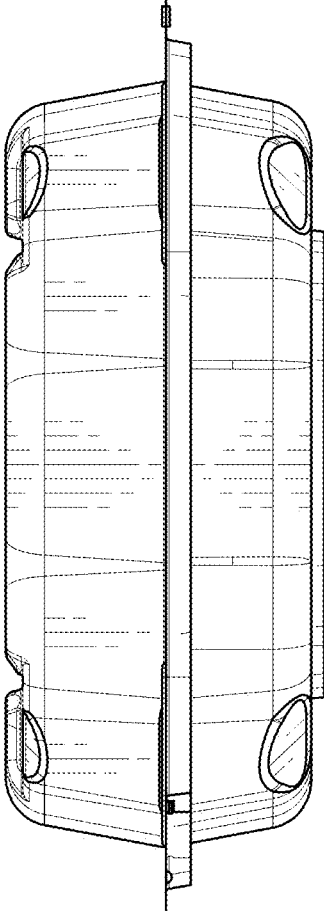


FIG. 4

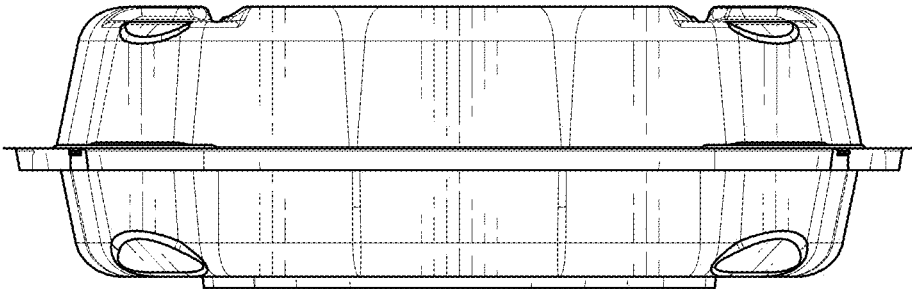


FIG. 5

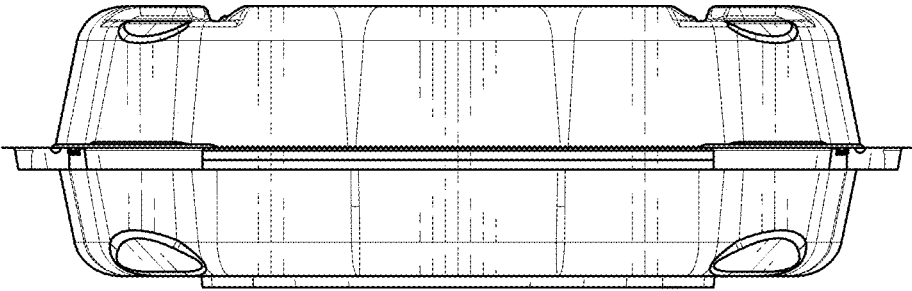


FIG. 6

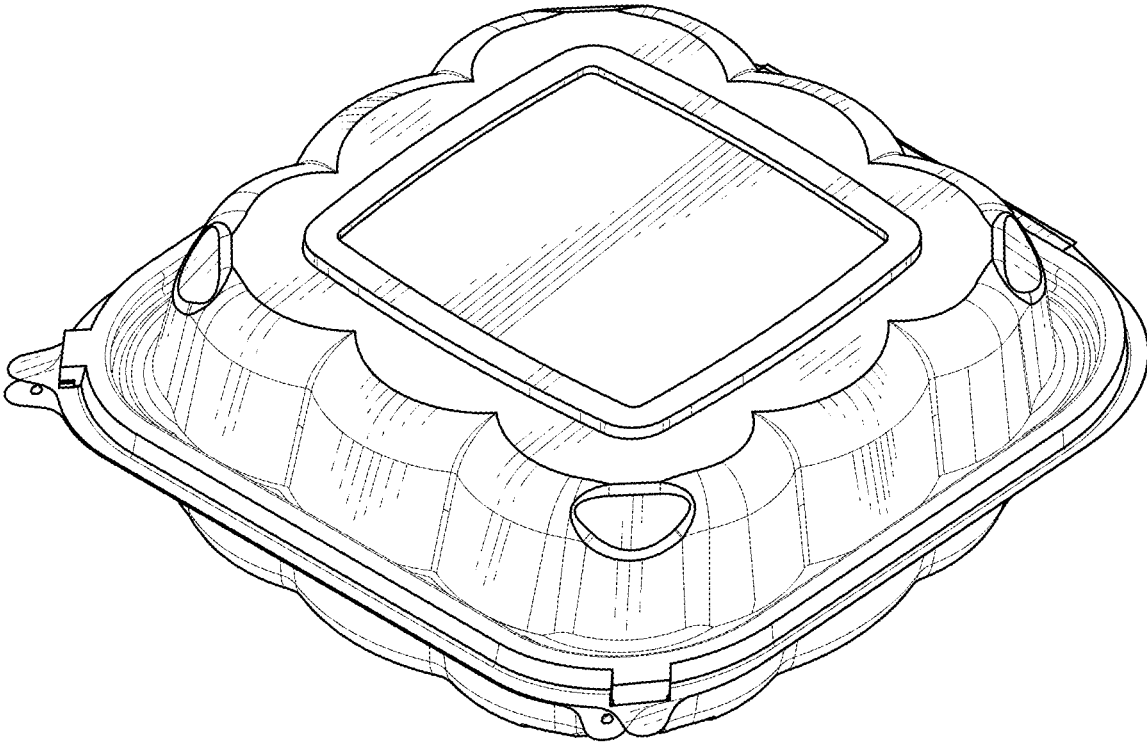


FIG. 7

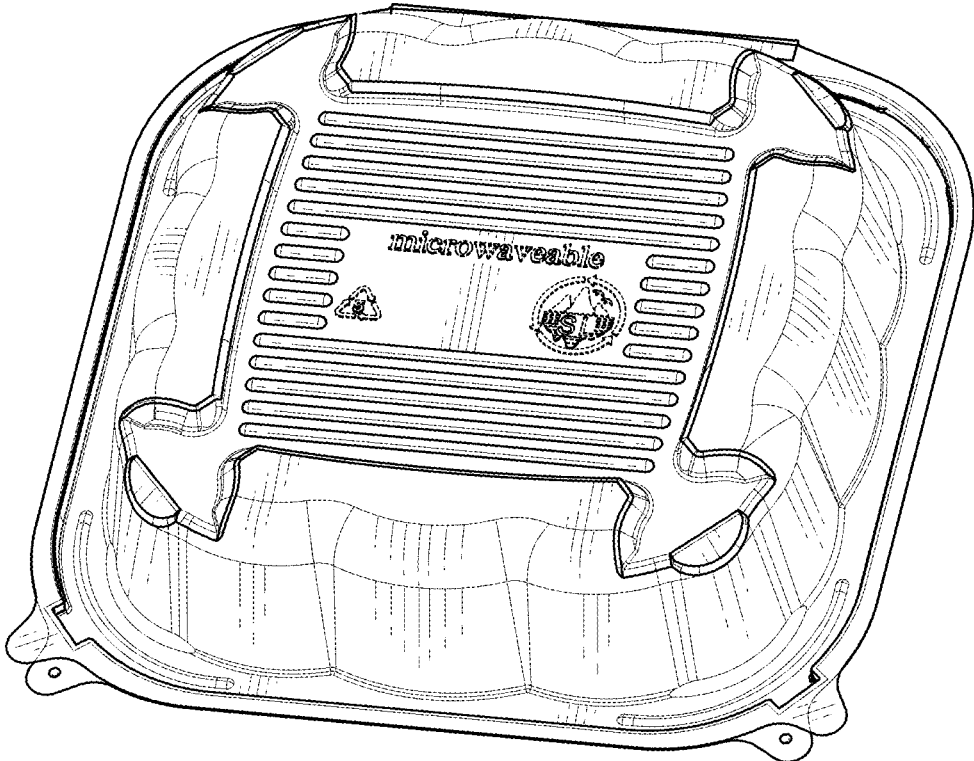


FIG. 8

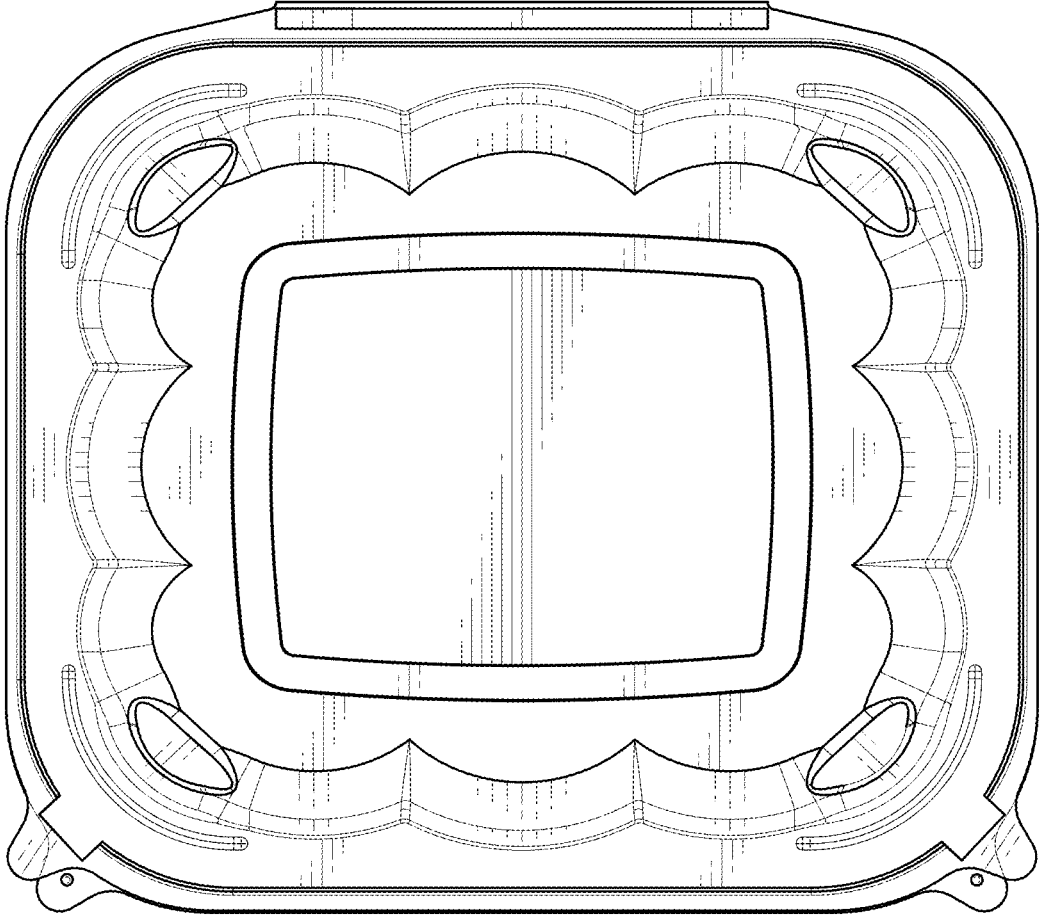


FIG. 9

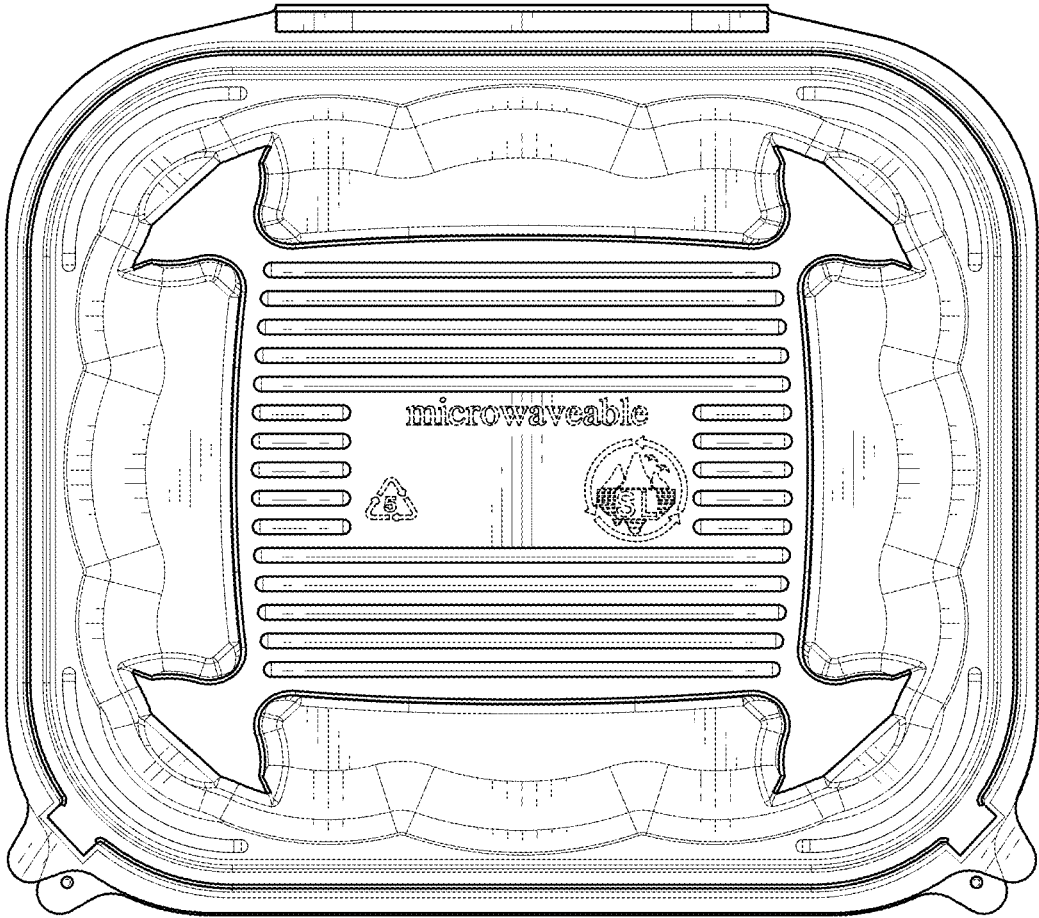


FIG. 10

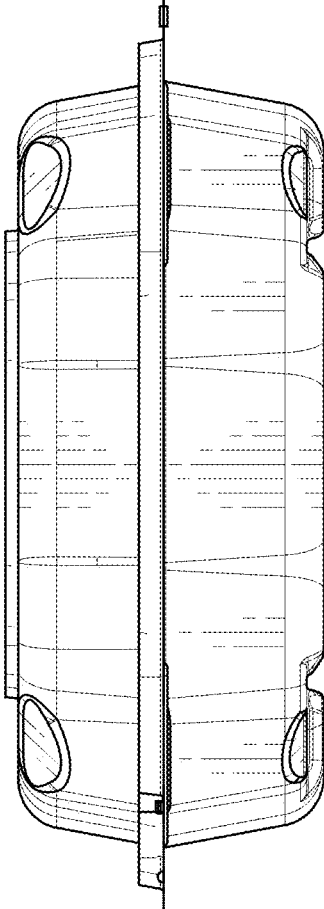


FIG. 11

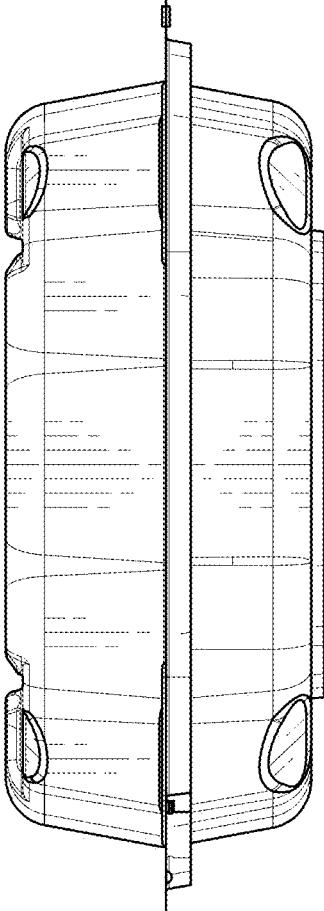


FIG. 12

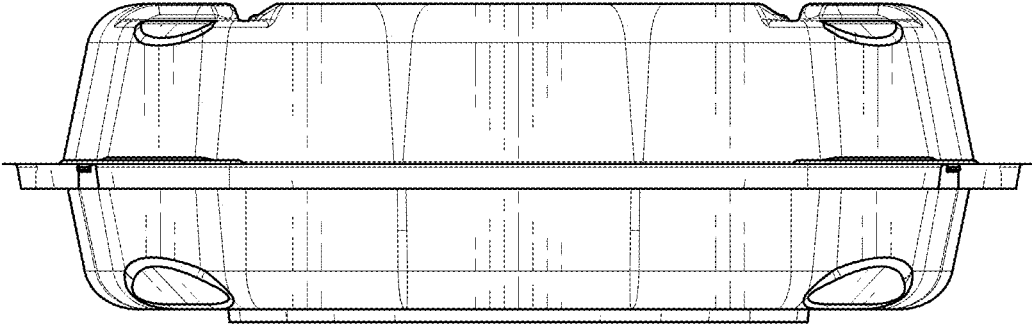


FIG. 13

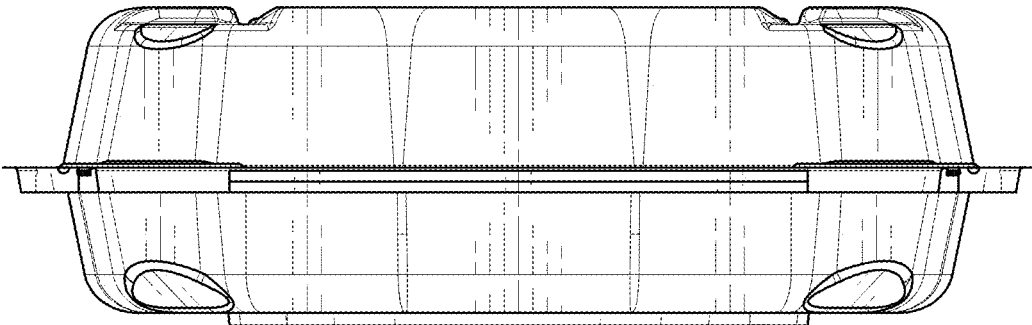


FIG. 14

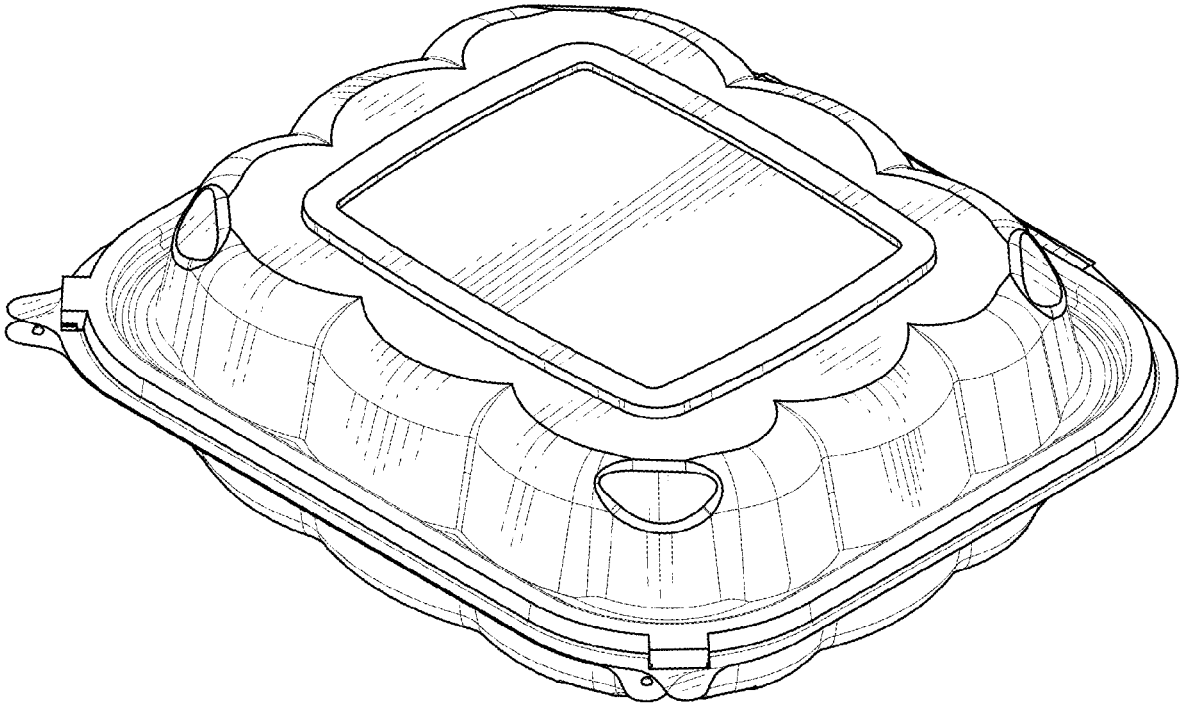


FIG. 15

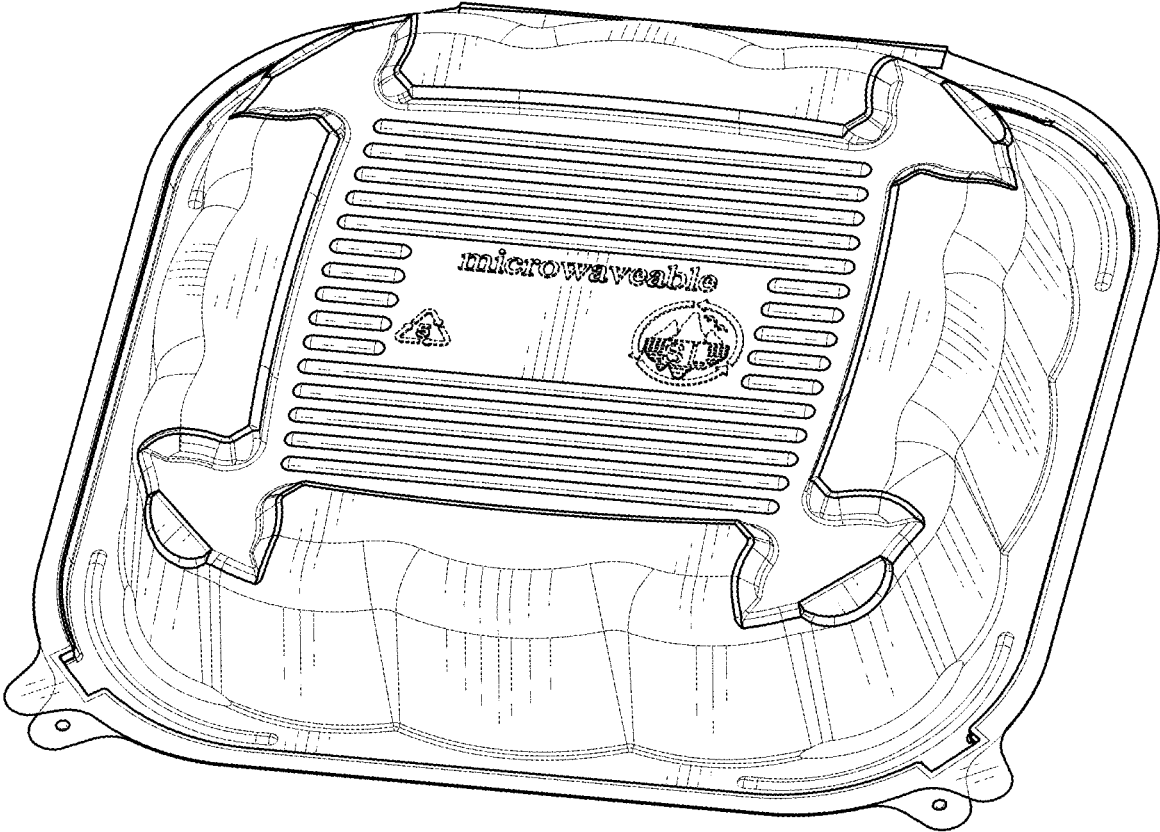


FIG. 16