



US00D503233S

(12) **United States Design Patent**
Smith

(10) **Patent No.:** **US D503,233 S**

(45) **Date of Patent:** **** Mar. 22, 2005**

(54) **OPHTHALMOLOGICAL INSTRUMENT
STAND CONTROL PANEL**

(75) **Inventor:** **Neil Smith, Hanover, PA (US)**

(73) **Assignee:** **Reliance Medical Products, Ltd.,
Mason, OH (US)**

(**) **Term:** **14 Years**

(21) **Appl. No.:** **29/193,117**

(22) **Filed:** **Oct. 31, 2003**

(51) **LOC (7) Cl. 24-01**

(52) **U.S. Cl. D24/172**

(58) **Field of Search** D24/172; 351/205,
351/245, 121

(56) **References Cited**

U.S. PATENT DOCUMENTS

4,643,547 A	2/1987	Collins et al.	351/245
D320,074 S *	9/1991	Frost et al.	D24/158
5,480,212 A	1/1996	Marconet	297/188.01
D378,315 S	3/1997	Schwaegerle et al.	D24/185
5,717,480 A	2/1998	Brooks et al.	351/221
5,907,387 A	5/1999	Schwaegerle	351/200
D424,200 S	5/2000	Smith	D24/172
D425,991 S	5/2000	Smith et al.	D24/172
6,095,649 A	8/2000	Brooks et al.	351/221
D437,415 S *	2/2001	Khalifa	D24/172

* cited by examiner

Primary Examiner—Louis S. Zarfes
Assistant Examiner—John Windmuller
(74) *Attorney, Agent, or Firm*—Wood, Herron & Evans,
L.L.P.

(57) **CLAIM**

The ornamental design for an ophthalmological instrument stand control panel, as shown and described.

DESCRIPTION

FIG. 1 is a perspective view of the ophthalmological instrument stand control panel;

FIG. 2 is a front view of the ophthalmological instrument stand control panel;

FIG. 3 is a left side view of the ophthalmological instrument stand control panel with the right side being a mirror image thereof;

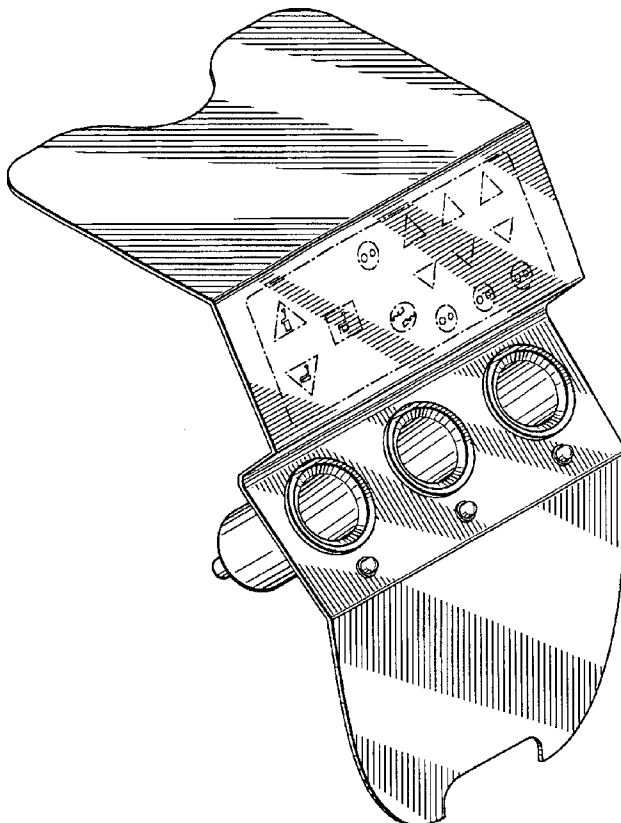
FIG. 4 is a rear view of the ophthalmological instrument stand control panel;

FIG. 5 is a top view of the ophthalmological instrument stand control panel; and,

FIG. 6 is a bottom view of the ophthalmological instrument stand control panel.

The broken line showing of portions of the control panel is for illustrative purposes only and forms no part of the claimed design.

1 Claim, 3 Drawing Sheets



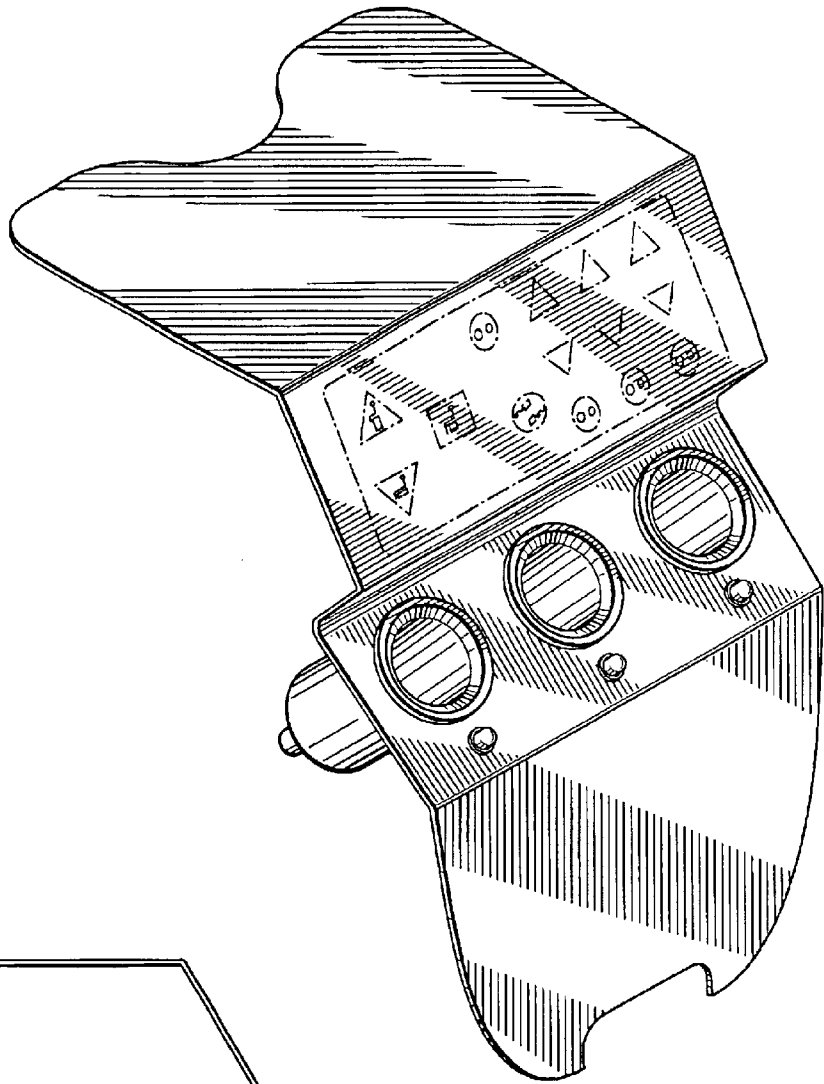


FIG. 1

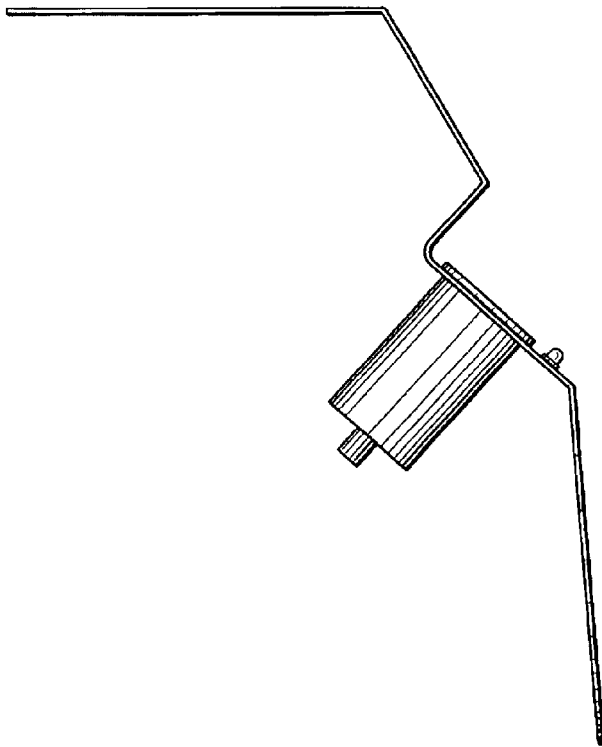


FIG. 3

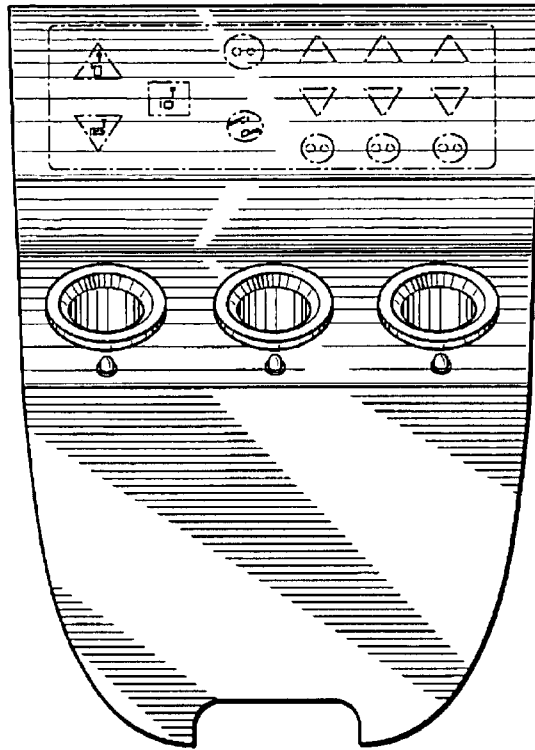


FIG. 2

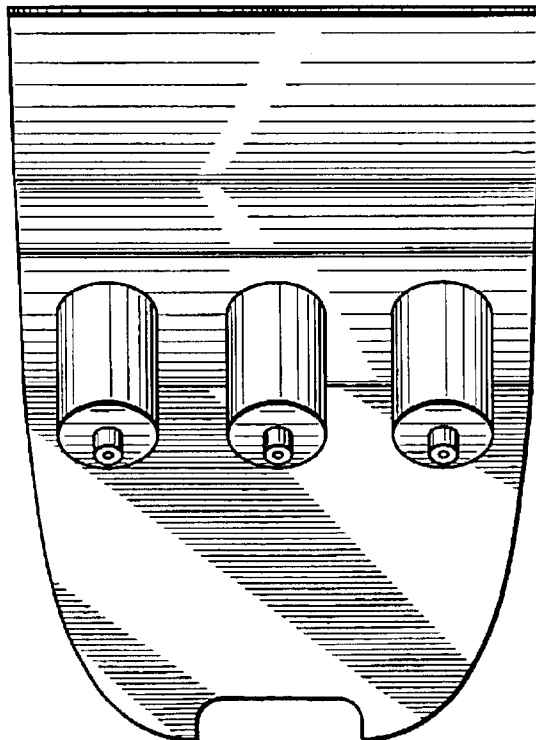


FIG. 4

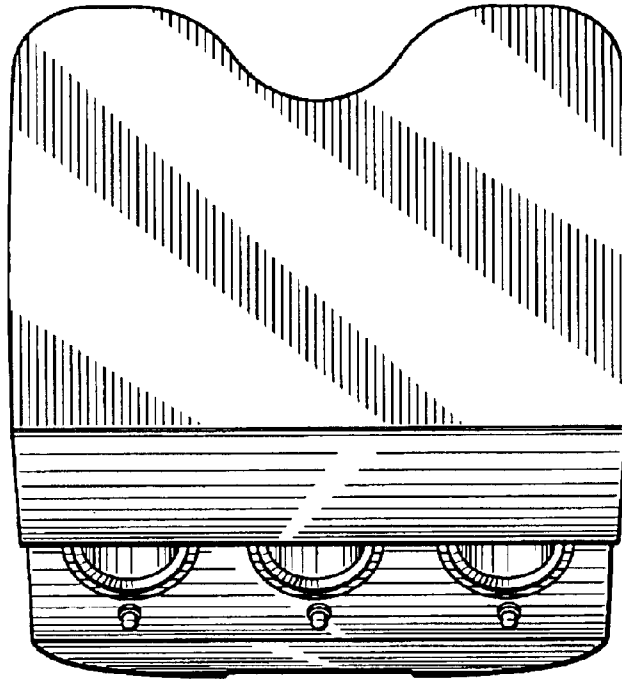


FIG. 5

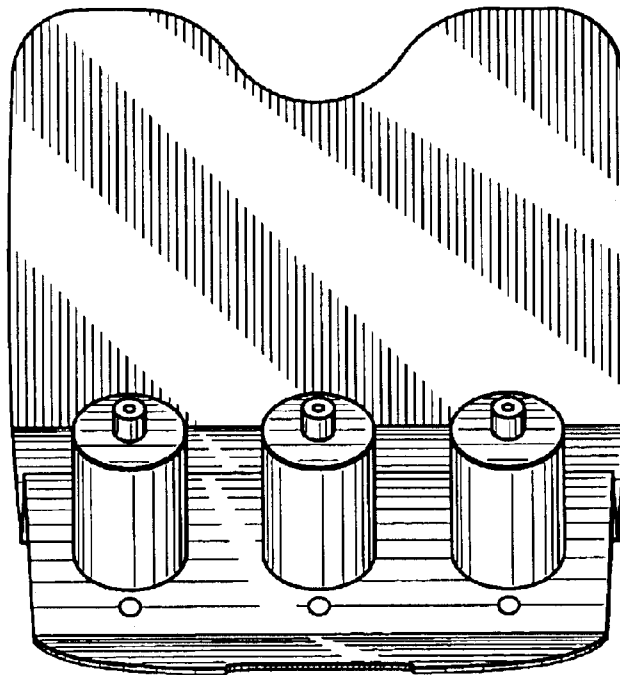


FIG. 6