



US00D729905S

(12) **United States Design Patent**  
**Batiste**

(10) **Patent No.:** **US D729,905 S**

(45) **Date of Patent:** **\*\* \*May 19, 2015**

(54) **VALVE COVER**

(71) Applicant: **Puronics Inc.**, Livermore, CA (US)

(72) Inventor: **Scott A. Batiste**, Livermore, CA (US)

(73) Assignee: **PURONICS INC.**, Livermore, CA (US)

(\* ) Notice: This patent is subject to a terminal disclaimer.

(\*\*) Term: **14 Years**

(21) Appl. No.: **29/486,278**

(22) Filed: **Mar. 27, 2014**

(51) **LOC (10) Cl.** ..... **23-01**

(52) **U.S. Cl.**

USPC ..... **D23/249**

(58) **Field of Classification Search**

CPC ..... F16K 27/12; F16K 35/10; F16K 27/048;  
F16K 1/2007; F16K 27/0209; F16K 27/041;  
F16K 31/0613; F16K 51/02; F16K 15/026;  
F16K 31/0637; F16K 35/04; B67D 1/0418;  
F04B 53/10

USPC ..... D23/209, 233-250; D10/85, 102, 103,  
D10/84, 99, 52, 46, 49; 73/738, 737, 741,  
73/708, 866.5, 431, 715, 706; 116/297

See application file for complete search history.

(56) **References Cited**

**U.S. PATENT DOCUMENTS**

D99,332	S	*	4/1936	Rice	.....	D23/235
2,216,374	A	*	10/1940	Martin	.....	73/706
D153,064	S	*	3/1949	Hammon	.....	D23/235
D153,244	S	*	3/1949	Teague	.....	D23/235
D156,391	S	*	12/1949	Wertheimer	.....	D10/49
2,607,228	A	*	8/1952	Coxon	.....	73/715
D179,181	S	*	11/1956	Becker	.....	D23/209
3,335,610	A	*	8/1967	Nelson	.....	73/738

3,520,192	A	*	7/1970	Condie	.....	73/738
3,929,020	A	*	12/1975	Honkanen	.....	73/738
4,051,730	A	*	10/1977	Andrews et al.	.....	73/738
4,124,931	A	*	11/1978	Miele, Jr.	.....	29/407.05
4,175,444	A	*	11/1979	Harland	.....	73/738
4,196,633	A	*	4/1980	Bissell	.....	73/738
D255,225	S	*	6/1980	Lewis	.....	D10/102
D259,734	S	*	6/1981	Cerrato	.....	D23/235
D288,469	S	*	2/1987	Pryor	.....	D23/235
D291,231	S	*	8/1987	Datta	.....	D23/235
4,838,090	A	*	6/1989	Hestich	.....	73/738
D302,394	S	*	7/1989	Merrell	.....	D10/85

(Continued)

**OTHER PUBLICATIONS**

Puronics Hydronex The Next Generation of Ionics Solutions, 2008.  
Accessed Nov. 3, 2014.

(Continued)

*Primary Examiner* — Cynthia Ramirez

*Assistant Examiner* — Gino Colan

(74) *Attorney, Agent, or Firm* — Wilson Sonsini Goodrich & Rosati

(57)

**CLAIM**

The ornamental design for a valve cover, as shown and described.

**DESCRIPTION**

FIG. 1 is a front perspective view of a valve cover;

FIG. 2 is a top view of the valve cover;

FIG. 3 is a front view of the valve cover;

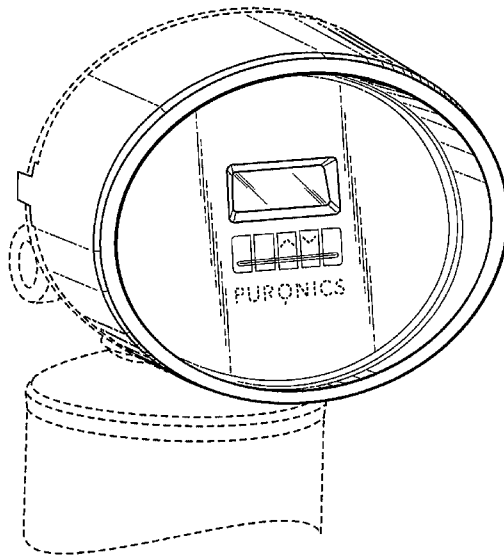
FIG. 4 is a left side view of the valve cover;

FIG. 5 is a right side view of the valve cover; and,

FIG. 6 is a rear view of the valve cover.

The broken lines shown in the figures are included for the purpose of illustrating elements of the valve cover and form no part of the claimed design.

**1 Claim, 3 Drawing Sheets**



(56)

References Cited

U.S. PATENT DOCUMENTS

D317,269 S \* 6/1991 Selg ..... D10/52  
 D351,113 S \* 10/1994 Hermansen ..... D10/85  
 D353,113 S \* 12/1994 Cook-Martin ..... D10/85  
 D416,822 S \* 11/1999 Slate et al. .... D10/103  
 6,672,178 B2 \* 1/2004 Durnen ..... 73/866.5  
 D486,748 S \* 2/2004 Cain ..... D10/102  
 D512,334 S \* 12/2005 Tang ..... D10/85  
 D514,007 S \* 1/2006 Buchanan ..... D10/99  
 7,036,382 B2 \* 5/2006 Sherman et al. .... 73/715  
 7,047,811 B2 \* 5/2006 Sherman et al. .... 73/708  
 D543,476 S \* 5/2007 Barmettler et al. .... D10/85  
 D545,707 S \* 7/2007 Barmettler et al. .... D10/85  
 7,278,317 B2 \* 10/2007 Bessette et al. .... 73/708  
 D607,356 S \* 1/2010 Moon et al. .... D10/85  
 D612,277 S \* 3/2010 Cain et al. .... D10/85  
 D631,944 S \* 2/2011 Karmel et al. .... D23/233  
 D678,476 S \* 3/2013 Shumway ..... D23/235  
 8,495,916 B2 \* 7/2013 Popp ..... 73/700

D698,010 S \* 1/2014 Boyer ..... D23/235  
 D700,075 S \* 2/2014 Bould et al. .... D10/49  
 2008/0271540 A1 \* 11/2008 Wu ..... 73/741

OTHER PUBLICATIONS

Ecowater Systems website. Accessed Nov. 3, 2014. [ecowater.com](http://ecowater.com).  
 Kinetico Home Water Systems website. Accessed Nov. 3, 2014. [www.kinetico.com](http://www.kinetico.com).  
 AdvantaPure website. Accessed Nov. 3, 2014. [www.advantapure.com](http://www.advantapure.com).  
 Proelite website. Accessed Nov. 3, 2014. [www.proelitesystems.com](http://www.proelitesystems.com).  
 Best Water Technology website. Accessed Nov. 3, 2014. <https://www.bwt.de/de/Produkte/Haustechnik/Enthaerter/Seiten/default.aspx>.  
 Culligan website. Accessed Nov. 3, 2014. [www.culligan.com](http://www.culligan.com).  
 Rainsoft website. Accessed Nov. 3, 2014. [www.rainsoft.com](http://www.rainsoft.com).  
 Notice of allowance dated Dec. 10, 2014 for U.S. Appl. No. 29/485,219.

\* cited by examiner

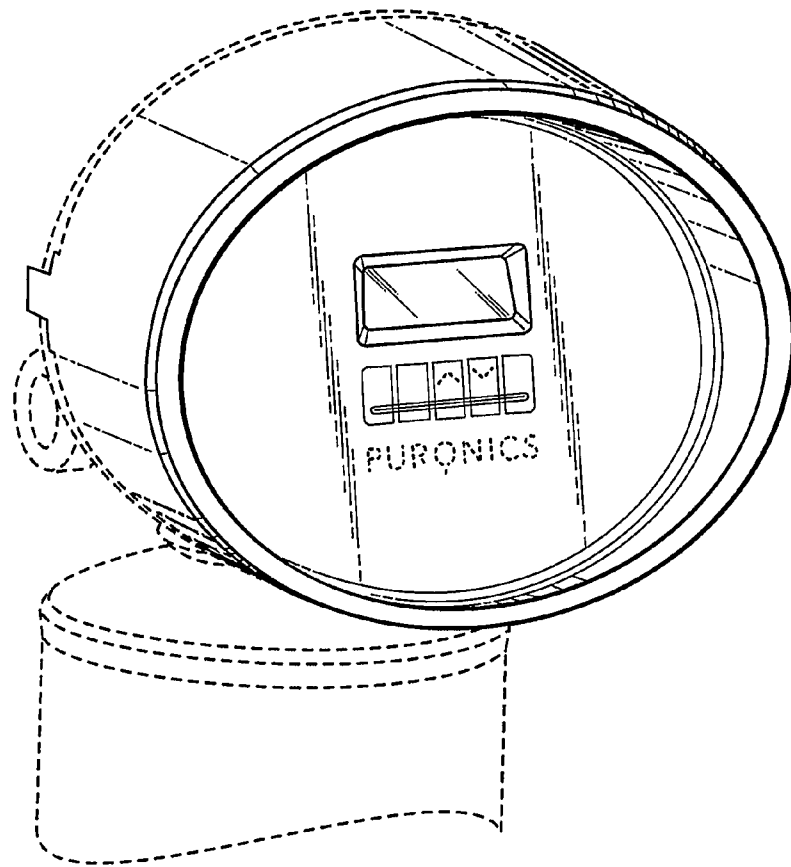
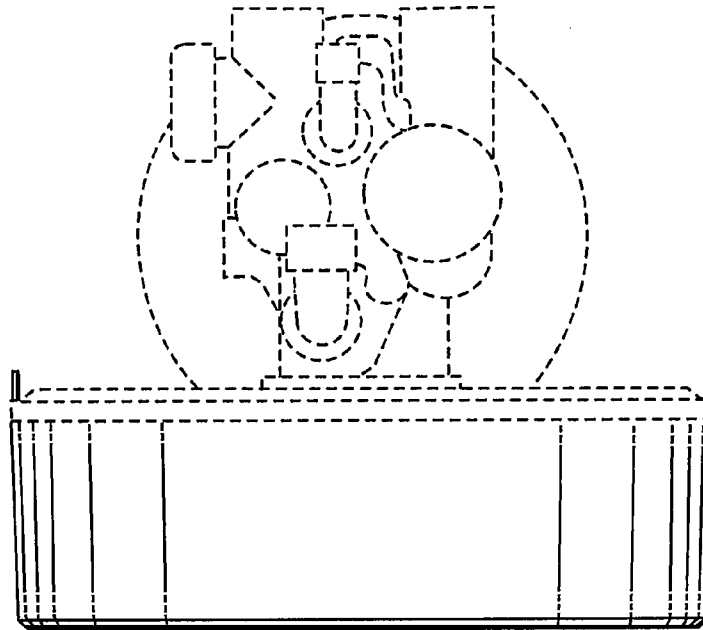
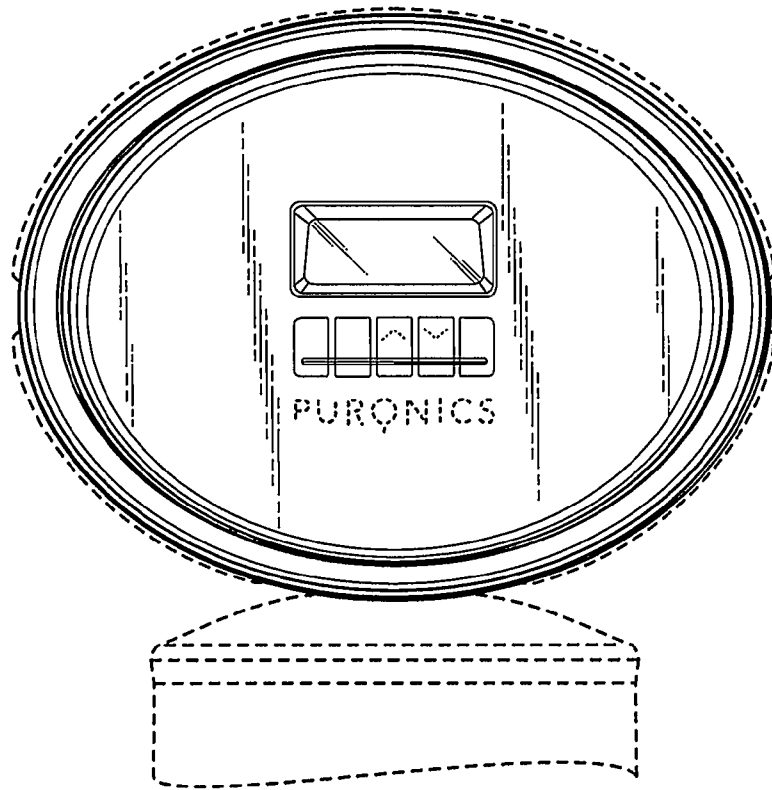
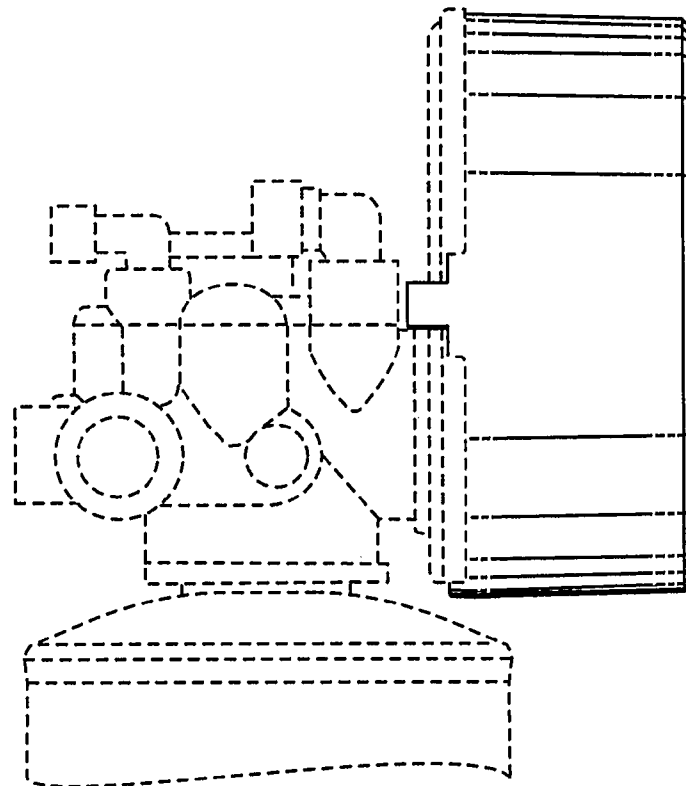


FIG. 2

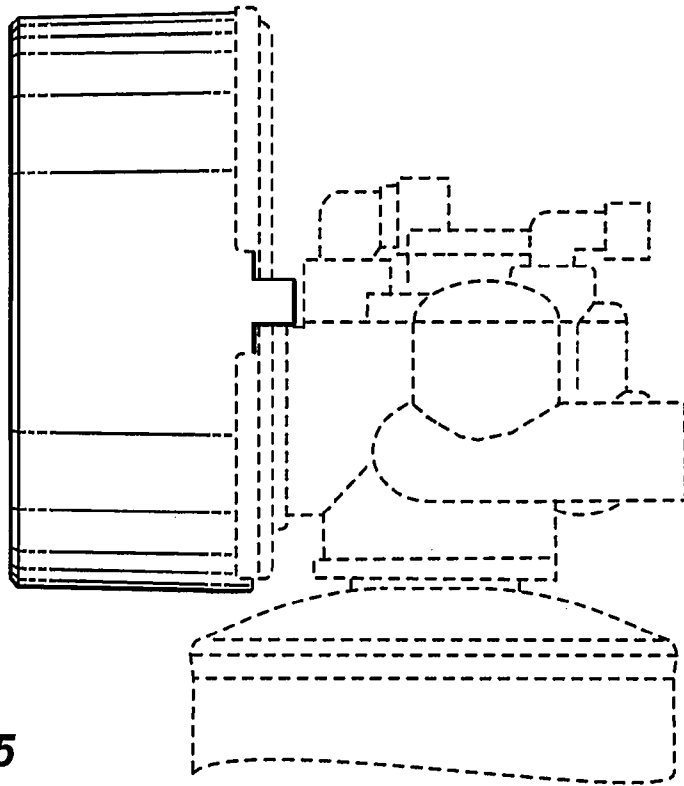




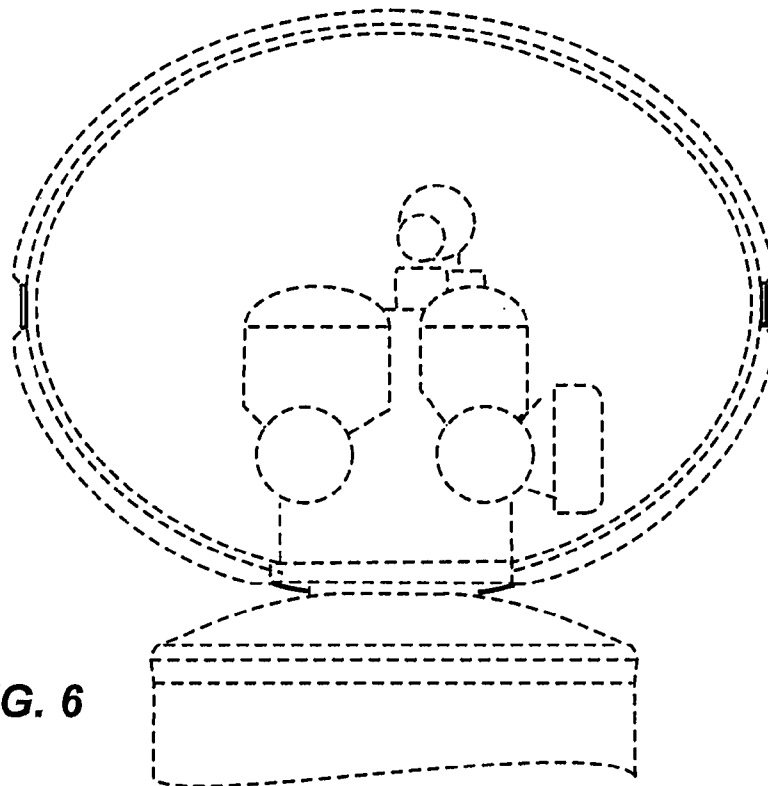
**FIG. 3**



**FIG. 4**



**FIG. 5**



**FIG. 6**