



US00D994789S

(12) **United States Design Patent**  
**Xu**

(10) **Patent No.:** **US D994,789 S**

(45) **Date of Patent:** **\*\* Aug. 8, 2023**

(54) **TOY TRUCK**

(71) Applicant: **Weihe Xu**, Shantou (CN)

(72) Inventor: **Weihe Xu**, Shantou (CN)

(\*\*) Term: **15 Years**

(21) Appl. No.: **29/887,392**

(22) Filed: **Mar. 21, 2023**

(30) **Foreign Application Priority Data**

Mar. 6, 2023 (CN) ..... 202330093916.6

(51) **LOC (14) Cl.** ..... **21-01**

(52) **U.S. Cl.**  
USPC ..... **D21/552**; D21/533; D21/483

(58) **Field of Classification Search**  
USPC ..... D21/552, 548, 424, 427, 428, 433, 549,  
D21/550, 559, 561; D12/82  
CPC ..... A63H 17/00; A63H 17/266  
See application file for complete search history.

(56) **References Cited**

**U.S. PATENT DOCUMENTS**

2,311,123	A *	2/1943	Osborne	.....	A63H 17/05 446/434
4,304,066	A *	12/1981	Brand	.....	A63H 17/264 446/434
4,382,632	A *	5/1983	Pitts	.....	B60G 17/005 298/17 S
D297,037	S *	8/1988	Matsumoto	.....	D21/580
D313,322	S *	1/1991	Ventulett	.....	D21/558
D352,075	S *	11/1994	Washington	.....	D21/434
D375,333	S *	11/1996	Golden	.....	D21/558
D567,885	S	4/2008	Amadio et al.		
D611,880	S *	3/2010	Voss	.....	D20/19
D678,425	S	3/2013	Foster		

D835,213	S	12/2018	Schmitt		
D952,053	S *	5/2022	Chen	.....	D21/470
D966,427	S *	10/2022	Phillips	.....	D21/434

**FOREIGN PATENT DOCUMENTS**

CN	307281932	*	4/2022
CN	307465101	*	7/2022
GB	6268239	*	3/2023

**OTHER PUBLICATIONS**

Amazon Website, Temi Construction Truck, Earliest Comment Date: Aug. 25, 2021 [Website Visited: May 12, 2023] Available on the internet URL <https://www.amazon.com/TEMI-Toddler-Construction-Vehicles-Transport/dp/B09927H4JP/> (Year: 2021).\*

(Continued)

*Primary Examiner* — S. Bryan Reinholdt, Jr.  
*Assistant Examiner* — James T Tyree  
(74) *Attorney, Agent, or Firm* — Jose Cherson Weissbrot

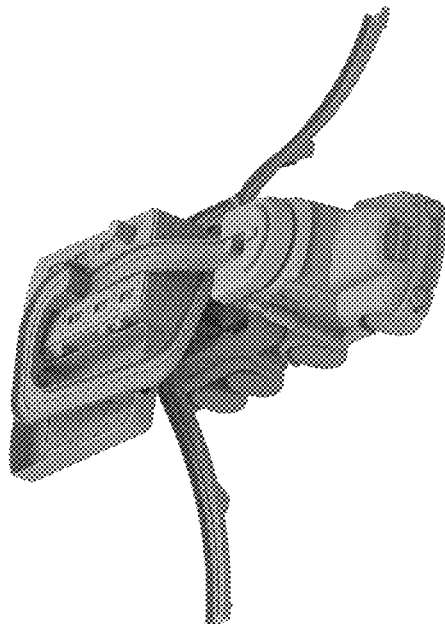
(57) **CLAIM**

The ornamental design for a toy truck, as shown and described.

**DESCRIPTION**

FIG. 1 is a first perspective view of a toy truck showing my new design;  
FIG. 2 is a second perspective view thereof;  
FIG. 3 is a front view thereof;  
FIG. 4 is a back view thereof;  
FIG. 5 is a left side view thereof;  
FIG. 6 is a right side view thereof;  
FIG. 7 is a top view thereof;  
FIG. 8 is a bottom view thereof; and,  
FIG. 9 is a perspective view of another state of the toy truck thereof.

**1 Claim, 9 Drawing Sheets**



(56)

**References Cited**

OTHER PUBLICATIONS

Walmart Website, Hot Wheels Transport Hauler, Earliest Comment Date: Aug. 7, 2022 [Website Visited: May 12, 2023] Available on the internet URL <https://www.walmart.com/ip/772457956> (Year: 2022).\*

Walmart Website, Hot Wheels Launch Hauler, Earliest Comment Date: Feb. 24, 2021 [Website Visited: May 12, 2023] Available on the internet URL <https://www.walmart.com/ip/191187625> (Year: 2021).\*

\* cited by examiner



FIG.1

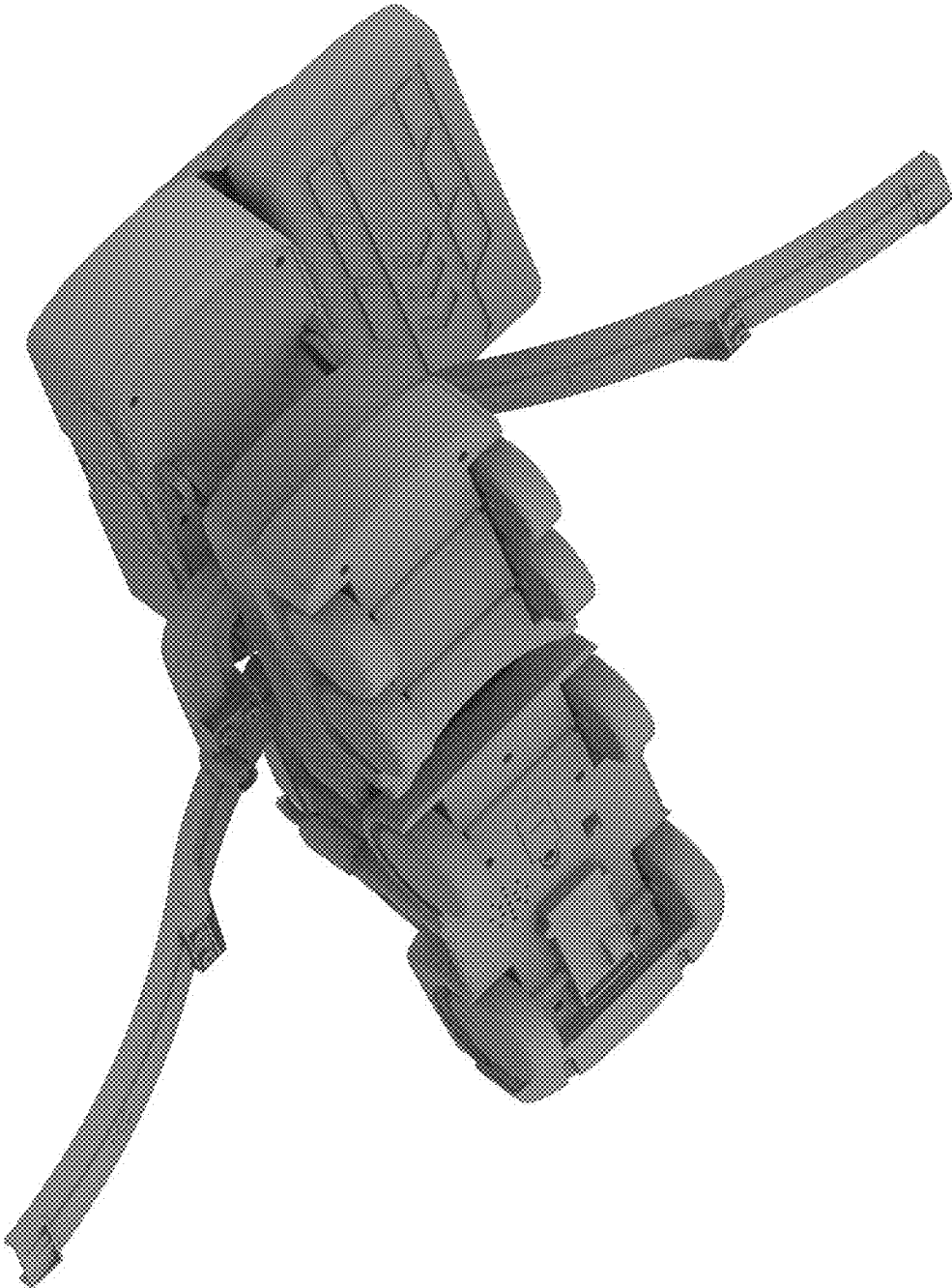


FIG.2

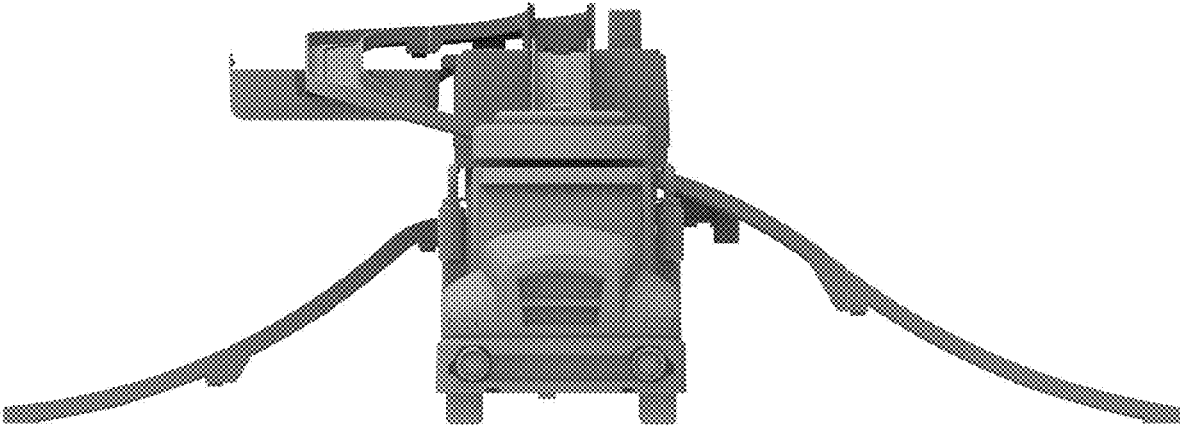


FIG.3

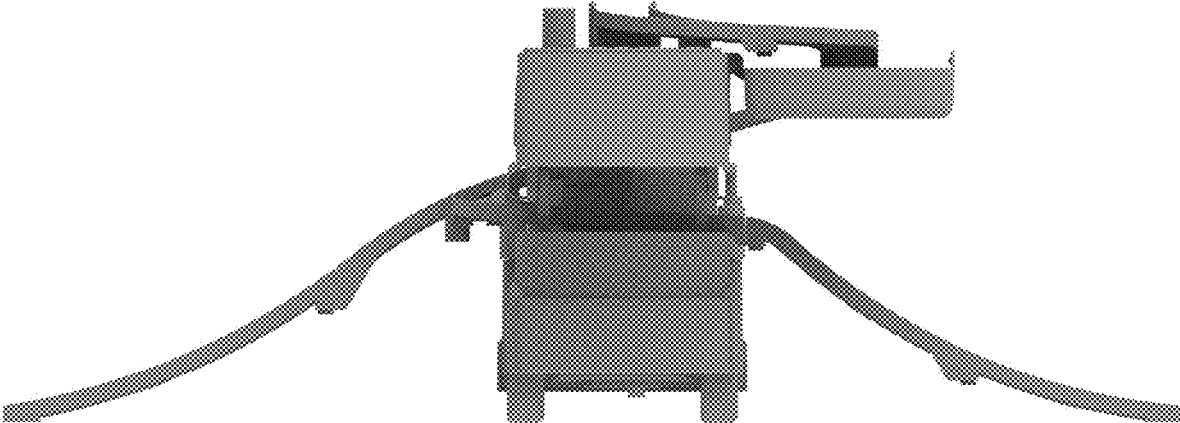


FIG.4

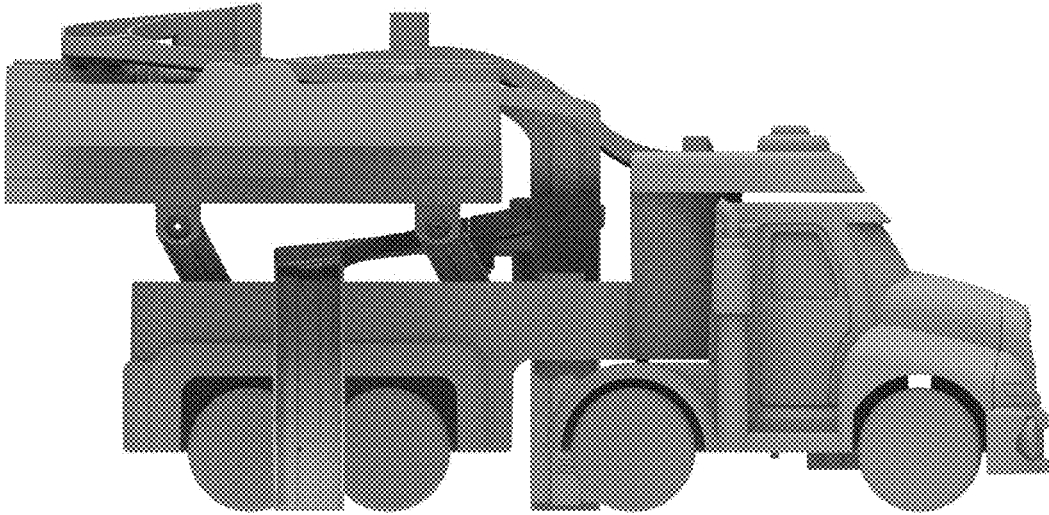


FIG.5

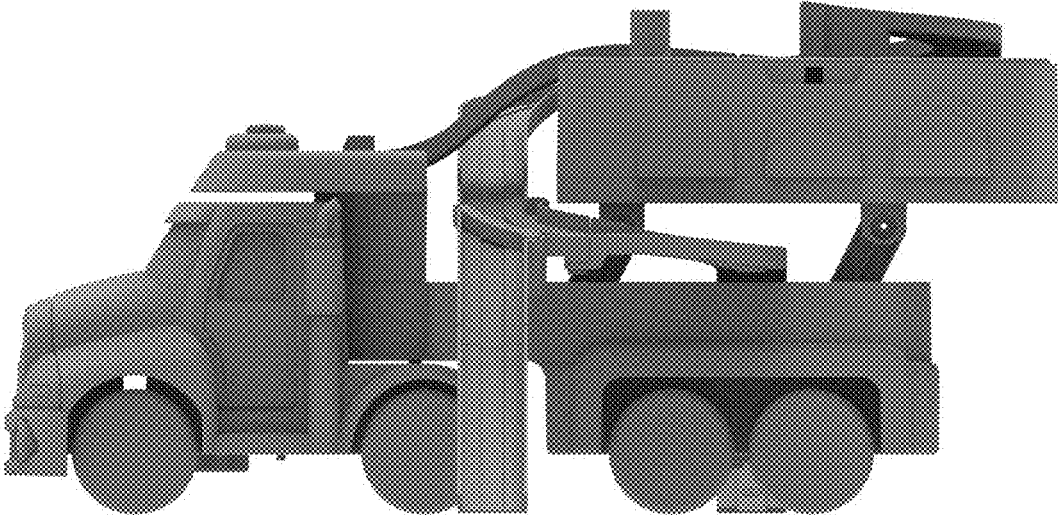


FIG.6

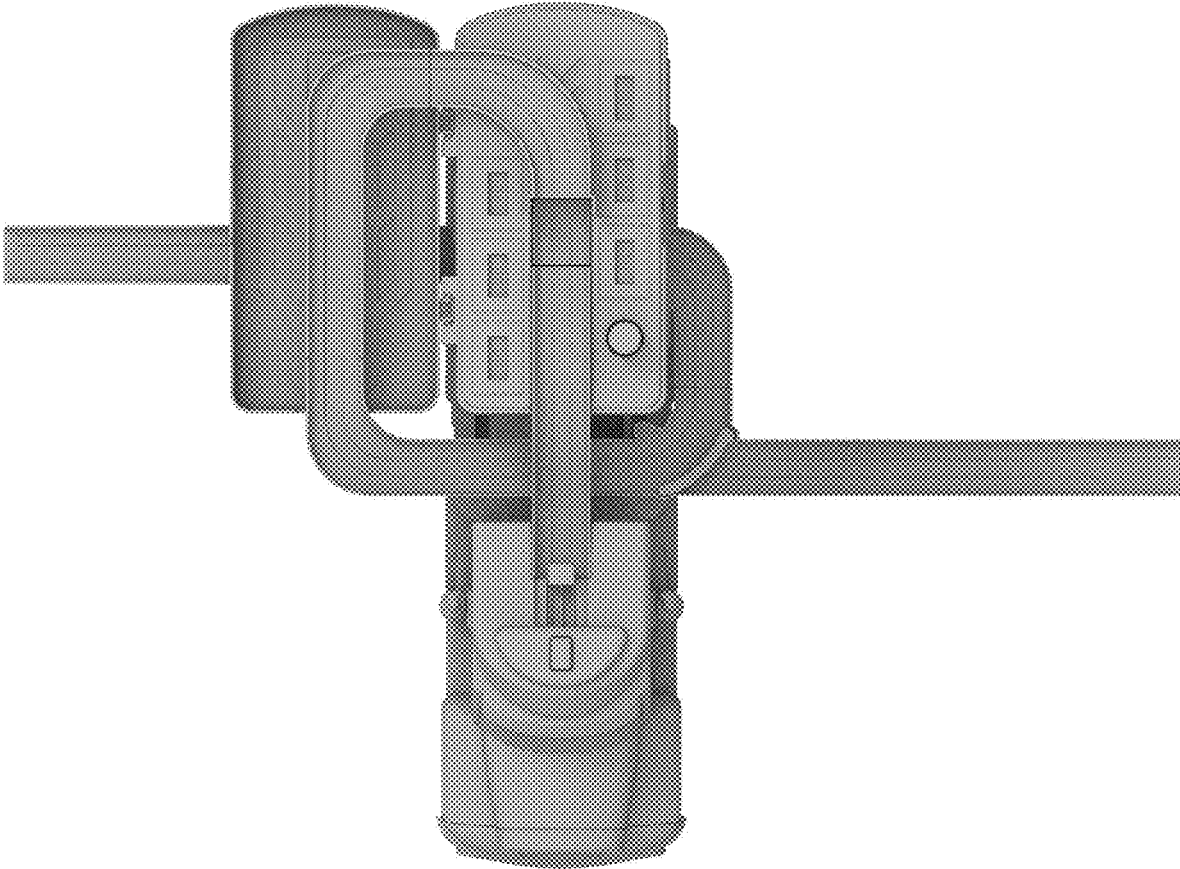


FIG. 7

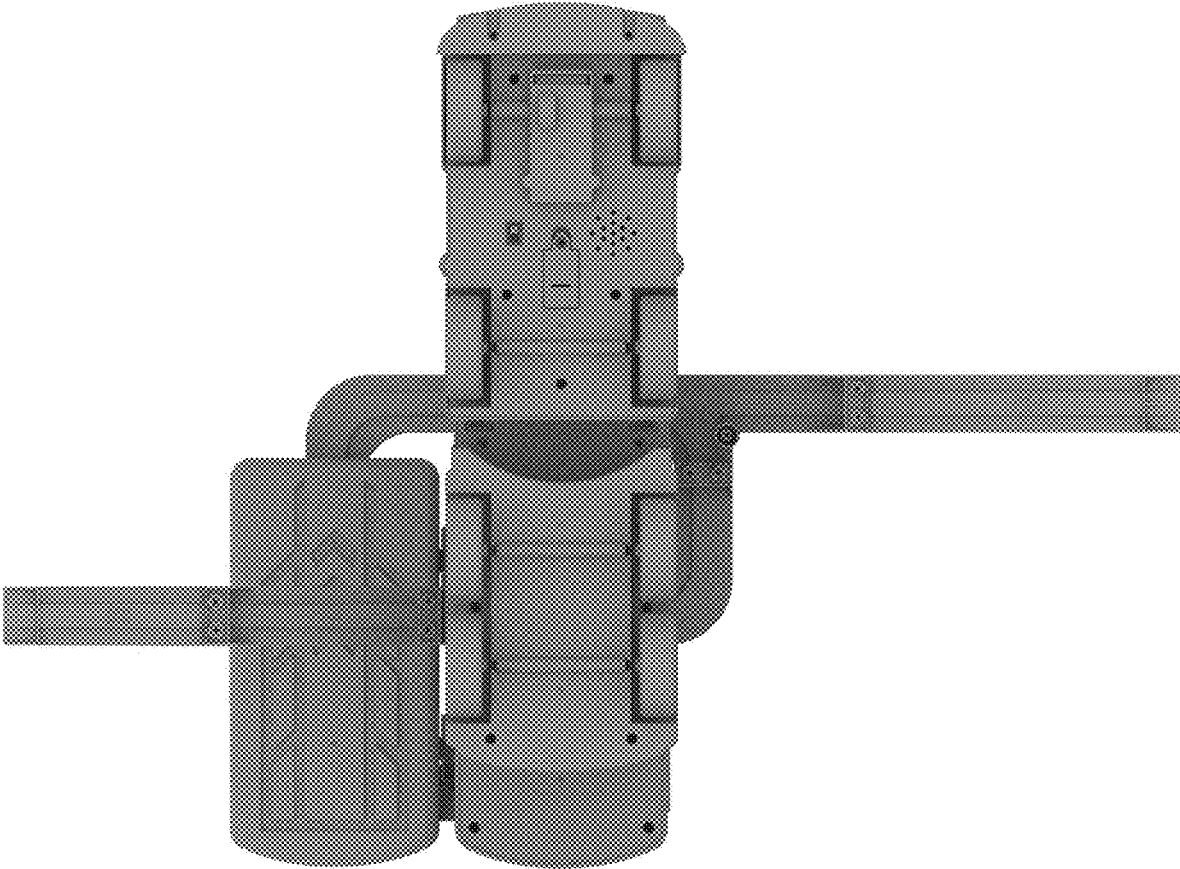


FIG.8



FIG.9