



US00D606643S

(12) **United States Design Patent**
Butler et al.

(10) **Patent No.:** **US D606,643 S**

(45) **Date of Patent:** **** Dec. 22, 2009**

(54) **AIR FRESHENER DEVICE**

(75) Inventors: **Martin Butler**, Hull (GB); **Ruben Garcia**, Barcelona (ES); **Kristian Hall**, Hull (GB); **Sam Leach**, Hull (GB); **Fernando Mayor**, Barcelona (ES)

(73) Assignee: **Reckitt Benckiser (UK) Limited**, Slough, Berkshire (GB)

(**) Term: **14 Years**

(21) Appl. No.: **29/334,513**

(22) Filed: **Mar. 27, 2009**

(30) **Foreign Application Priority Data**

Sep. 30, 2008 (EM) 001011381-0001

(51) **LOC (9) Cl.** **28-99**

(52) **U.S. Cl.** **D23/366**

(58) **Field of Classification Search** D23/355-369;
D28/5, 6; 261/DIG. 17, DIG. 42, DIG. 65,
261/DIG. 88, DIG. 89; 239/34, 35, 36, 44,
239/45, 48, 52, 53, 55, 56, 57, 60, 302, 303,
239/326, 380; 392/386, 390, 392, 394, 395
See application file for complete search history.

(56) **References Cited**

U.S. PATENT DOCUMENTS

- D432,222 S * 10/2000 Rymer et al. D23/366
- D433,744 S * 11/2000 Basaganas D23/366
- D461,549 S * 8/2002 Garcia D23/360
- D501,921 S * 2/2005 Caserta et al. D23/366
- D510,423 S * 10/2005 Caserta et al. D23/366

- D539,892 S * 4/2007 Caserta et al. D23/366
- D561,883 S * 2/2008 Cantoni et al. D23/366
- D567,920 S * 4/2008 Cantoni et al. D23/366
- D567,923 S * 4/2008 Turchi et al. D23/366
- D568,454 S * 5/2008 Bellofatto et al. D23/366
- D568,978 S * 5/2008 Kennedy et al. D23/366
- RE40,392 E * 6/2008 Rymer et al. D23/366
- D573,705 S * 7/2008 Turchi et al. D23/366
- D582,537 S * 12/2008 Kay et al. D23/366
- D583,038 S * 12/2008 Kay et al. D23/366
- D583,039 S * 12/2008 Kay et al. D23/366
- D583,457 S * 12/2008 Kay et al. D23/366

* cited by examiner

Primary Examiner—Sandra Snapp

(74) *Attorney, Agent, or Firm*—Norris, McLaughlin & Marcus, P.A.

(57) **CLAIM**

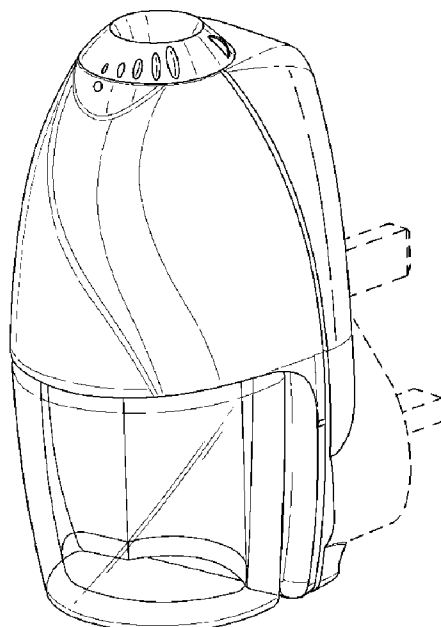
The ornamental design for an air freshener device, as shown and described.

DESCRIPTION

FIG. 1 is a front perspective view of our air freshener device;
 FIG. 2 is an elevation view of the front thereof;
 FIG. 3 is an elevation view of the rear thereof;
 FIG. 4 is an elevation view of the left side thereof;
 FIG. 5 is an elevation view of the right side thereof;
 FIG. 6 is a plan view of the top thereof; and,
 FIG. 7 is a plan view of the bottom thereof.

The broken lines show in the figures are for illustrative purposes only and form no part of the claimed design.

1 Claim, 2 Drawing Sheets



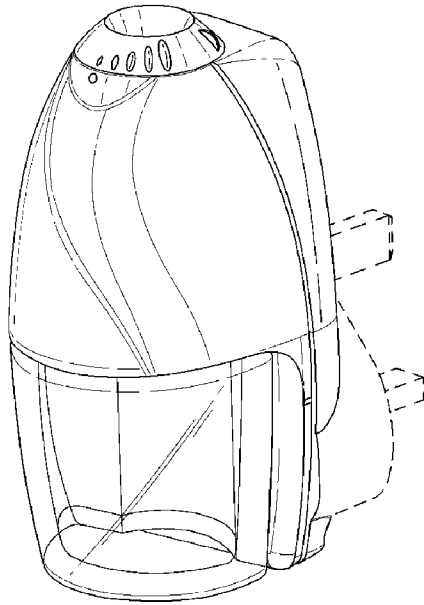


Fig.1.

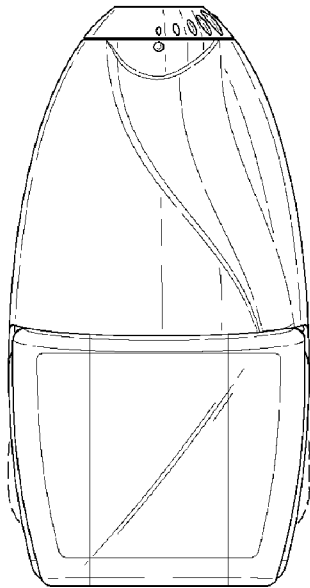


Fig.2.

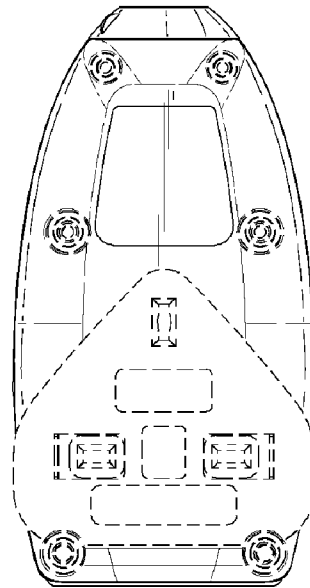


Fig.3.

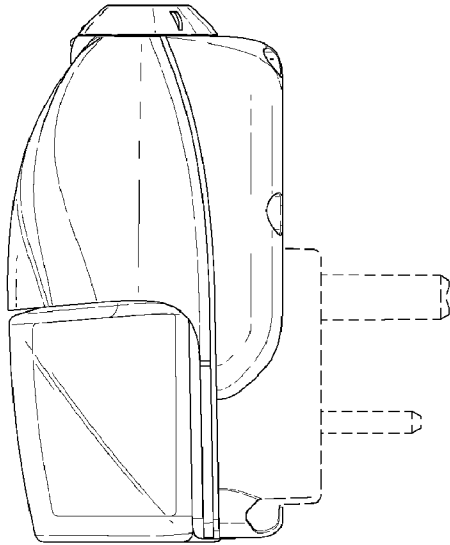


Fig.4.

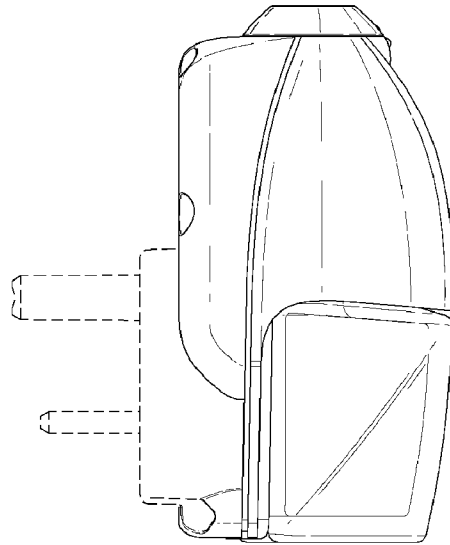


Fig.5.

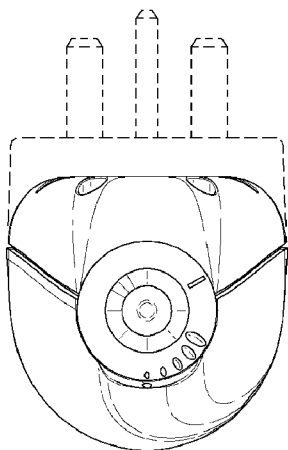


Fig.6.

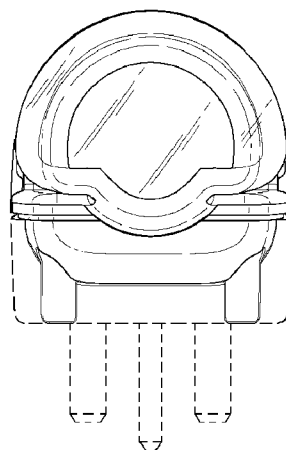


Fig.7.