



US00D701949S

(12) **United States Design Patent**  
**Bates et al.**

(10) **Patent No.:** **US D701,949 S**

(45) **Date of Patent:** **\*\* Apr. 1, 2014**

(54) **TOILET**

FOREIGN PATENT DOCUMENTS

(71) Applicant: **Kohler Co.**, Kohler, WI (US)  
(72) Inventors: **Michael R. Bates**, Kohler, WI (US);  
**Herbert V. Kohler, Jr.**, Kohler, WI (US)

JP D1335527 6/2009  
JP D1382322 3/2010  
JP D1336299 7/2011

(73) Assignee: **Kohler Co.**, Kohler, WI (US)

OTHER PUBLICATIONS

(\*\*) Term: **14 Years**

<http://www.sz-wholesaler.com/usering/1172/1187sw1/wall---hung-toilet-528.jpg> (1pg).

(21) Appl. No.: **29/469,480**

(Continued)

(22) Filed: **Oct. 10, 2013**

*Primary Examiner* — Robert Delehanty  
(74) *Attorney, Agent, or Firm* — Foley & Lardner LLP

(57) **CLAIM**

We claim the ornamental design for a toilet, as shown and described.

**Related U.S. Application Data**

**DESCRIPTION**

(62) Division of application No. 29/448,058, filed on Mar. 8, 2013, now Pat. No. Des. 693,910.

(51) **LOC (10) Cl.** ..... **23-02**

(52) **U.S. Cl.**  
USPC ..... **D23/295**

(58) **Field of Classification Search**  
USPC ..... D23/295, 301, 309, 300, 311; 4/300,  
4/420, 234, 237, 239, 242.1  
See application file for complete search history.

FIG. 1 is a perspective view of an embodiment of the claimed design;  
FIG. 2 is a front view of the embodiment of the claimed design shown in FIG. 1;  
FIG. 3 is a rear view of the embodiment of the claimed design shown in FIG. 1;  
FIG. 4 is a side view of the embodiment of the claimed design shown in FIG. 1;  
FIG. 5 is another side view of the embodiment of the claimed design shown in FIG. 1;  
FIG. 6 is top view of the embodiment of the claimed design shown in FIG. 1; and,  
FIG. 7 is bottom view of the embodiment of the claimed design shown in FIG. 1.

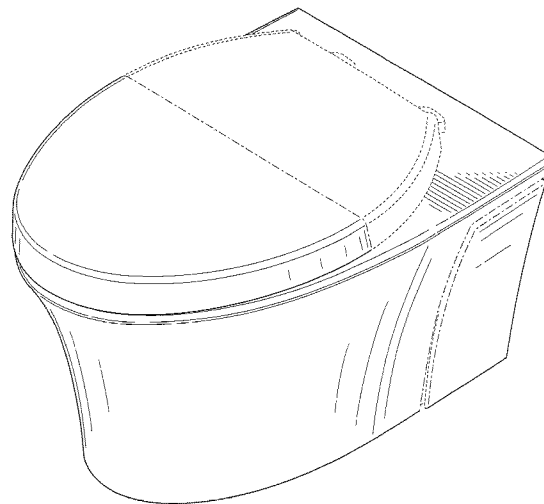
The ornamental design which is claimed is shown in solid lines in the drawings. The broken lines in the drawings are for illustrative purposes only and form no part of the claimed design. Broken lines formed by equal length dashes show unclaimed portions of the design. Broken lines formed of unequal length dashes (i.e., dash-dot) show boundaries between claimed and unclaimed portions of the design.

(56) **References Cited**

U.S. PATENT DOCUMENTS

5,926,863 A 7/1999 Arita et al.  
6,986,176 B1 1/2006 Lin  
7,325,258 B2 2/2008 Asada et al.  
7,661,153 B2 2/2010 Nakamura et al.  
D621,487 S 8/2010 Toyohara  
7,827,628 B2 11/2010 Ichiki et al.  
8,037,552 B2 10/2011 Ichiki et al.  
D653,315 S 1/2012 Yoshioka  
D658,277 S 4/2012 Irani et al.  
2008/0271234 A1 11/2008 Okada et al.  
2010/0186158 A1 7/2010 Morita et al.

**1 Claim, 7 Drawing Sheets**



(56)

**References Cited**

OTHER PUBLICATIONS

Wall Hung Toilet—Wall Hung Toilet Distributor; <http://www.sz-wholesaler.com/p/1172/1187-1/wall-hung-toilet-615932.html> (2 pgs).

Toilet Accessories—And More Toilet Accessories Distributor Information; <http://www.sz-wholesaler.com/cn-cat/1172/1187/toilet-accessories-27.html> (4 pgs).

Duravit wall-hung toilet on the Geberit frame system with tank, etc.; Dec. 14, 2010 (3 pgs).

Installation Instructions Care and Maintenance; Porcher Solutions; Wall Hung Dual Flush Toilet with Seat Model 47010-11 (4 pgs).

Porcher Solutions; Wall Mounted Dual Flush Water Closet with Standard Carrier; 97010-11—Standard Carrier Kit (2 pgs).

Faucet.com; Porcher 97010-11.001 White Solutions 1.6 to .8 GPF Wall Mounted Dual Flush Toilet (2 pgs).

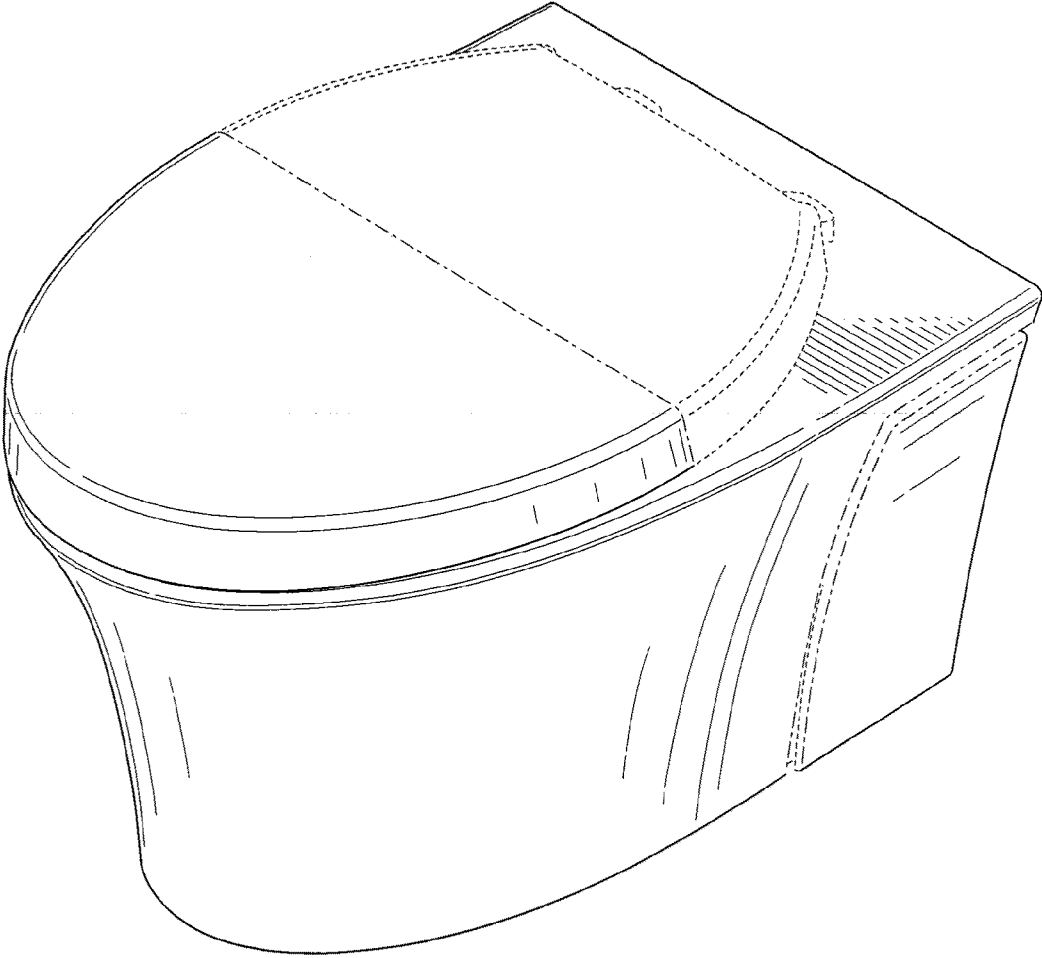


FIG. 1

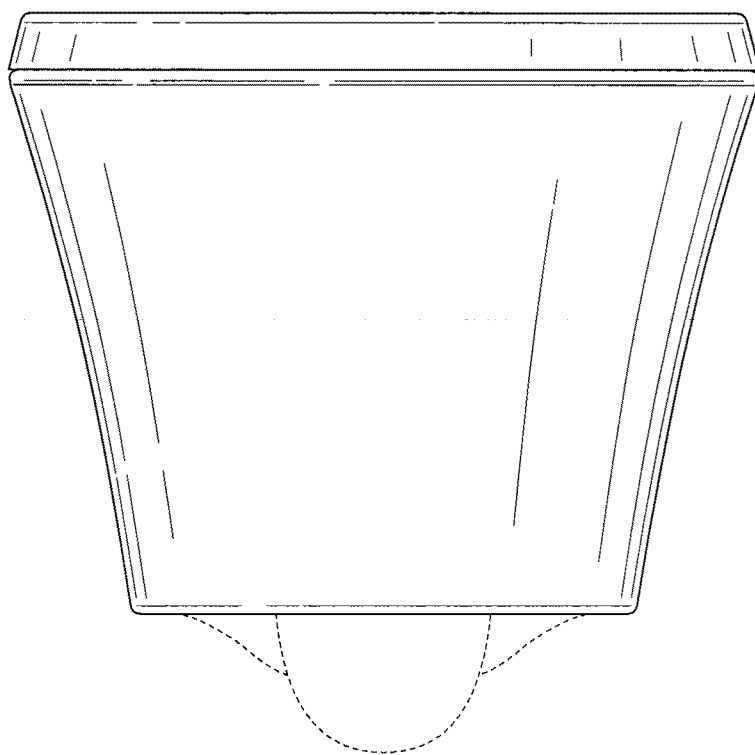


FIG. 2

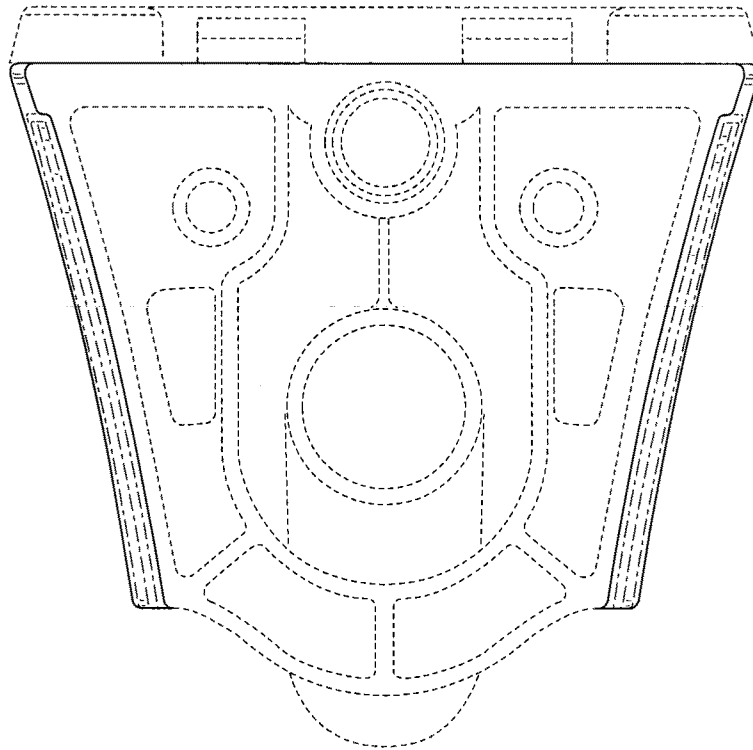


FIG. 3

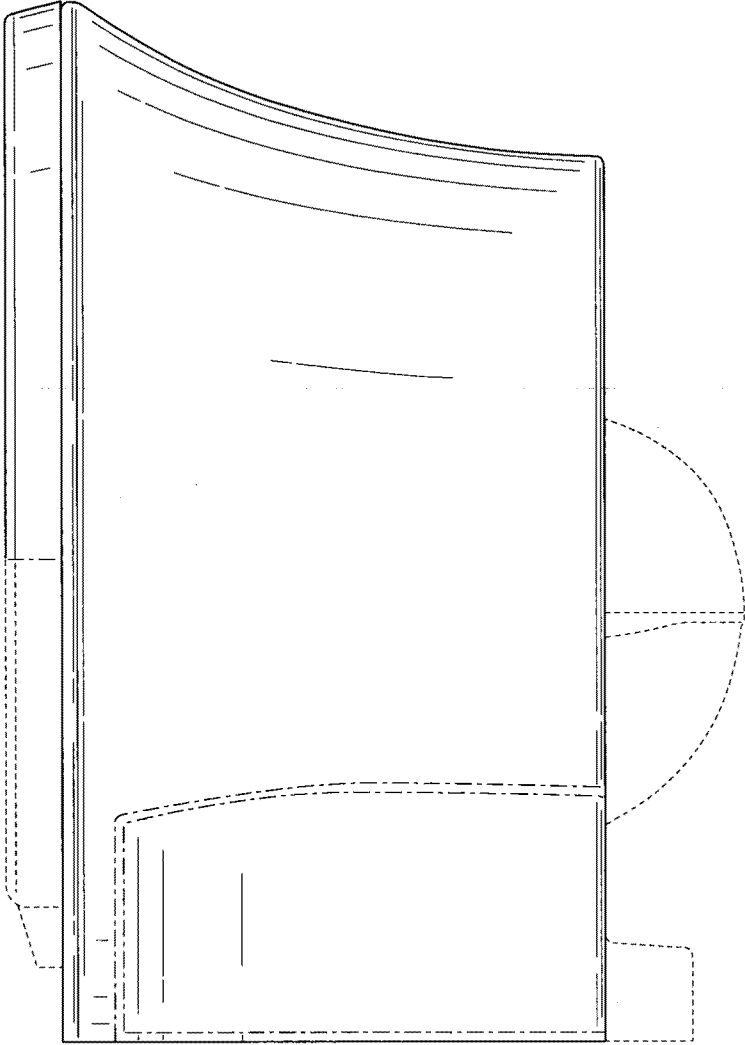


FIG. 4

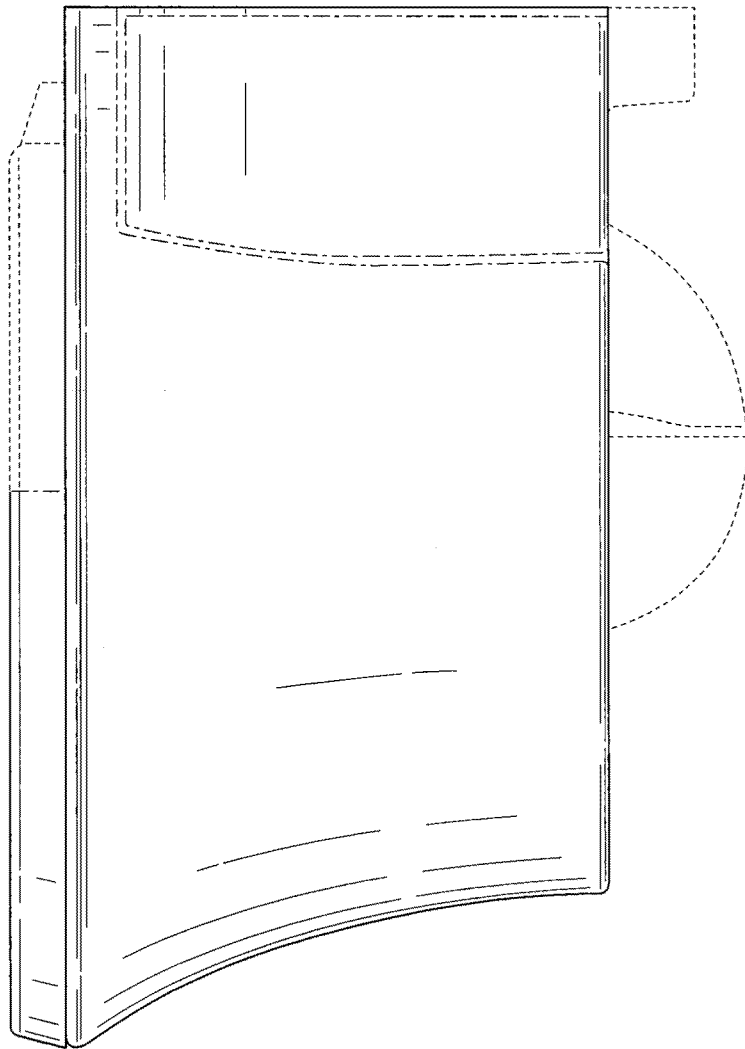


FIG. 5

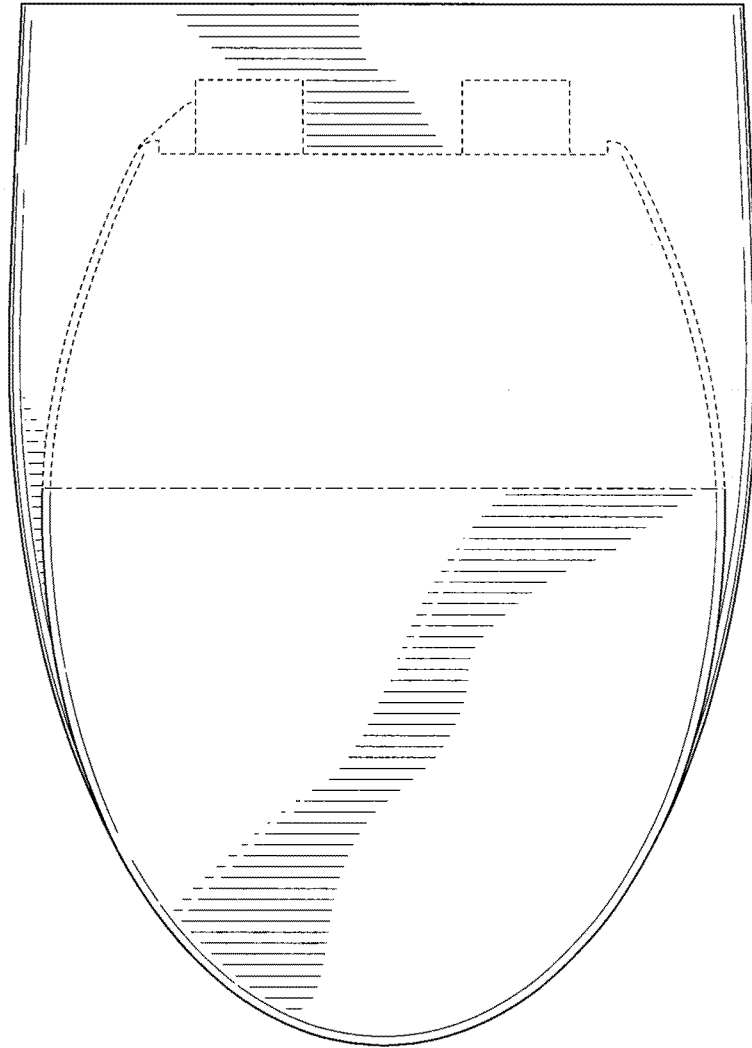


FIG. 6

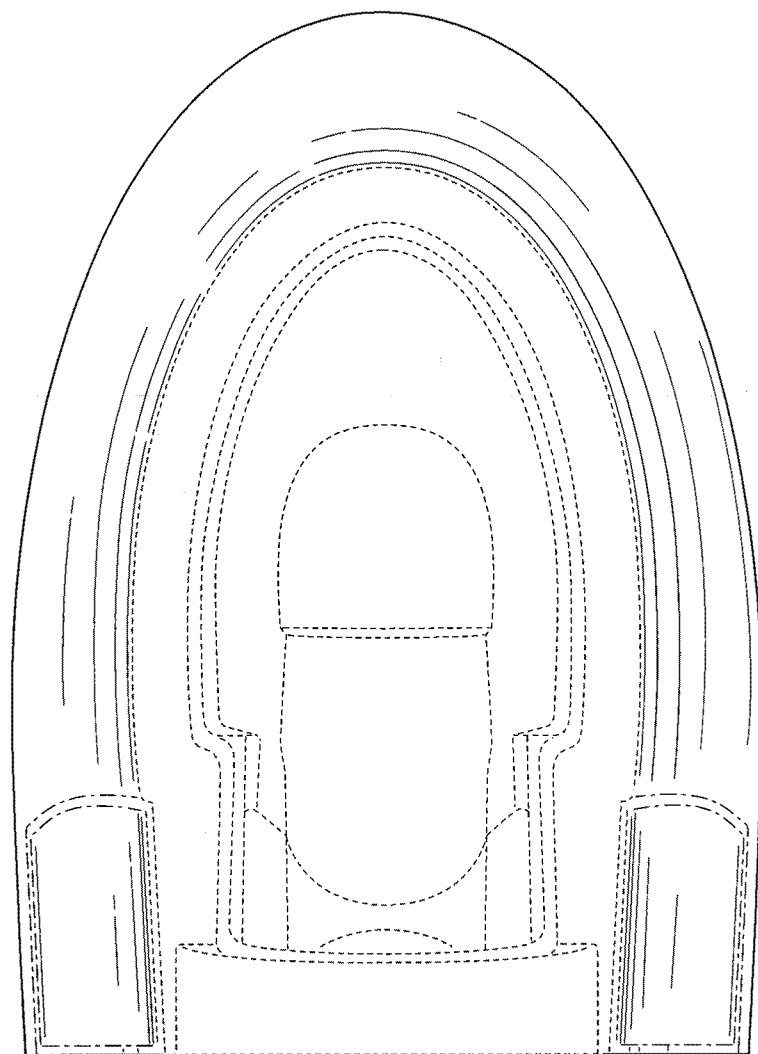


FIG. 7