



US00D466472S

(12) **United States Design Patent** (10) **Patent No.:** **US D466,472 S**
Abe et al. (45) **Date of Patent:** **** Dec. 3, 2002**

(54) **TIRE TREAD**

D372,891 S * 8/1996 McKisson D12/528

(75) Inventors: **Osamu Abe**, Kobe (JP); **Saburo Miyabe**, Grossauheim (DE)

* cited by examiner

Primary Examiner—Robert M. Spear
(74) *Attorney, Agent, or Firm*—David L. King

(73) Assignee: **The Goodyear Tire & Rubber Company**, Akron, OH (US)

(57) **CLAIM**

(**) Term: **14 Years**

The ornamental Design for a tire tread, as shown and described.

(21) Appl. No.: **29/151,225**

DESCRIPTION

(22) Filed: **Nov. 2, 2001**

FIG. 1 is a perspective view of a tire tread showing our new design, it being understood that the pattern repeats uniformly throughout the circumference of the tread; FIG. 2 is a front elevational view thereof; FIG. 3 is a side elevational view thereof; FIG. 4 is the opposite side elevational view thereof; and, FIG. 5 is an enlarged fragmentary perspective view.

(30) **Foreign Application Priority Data**

May 2, 2001 (JP) 2001-012802

(51) **LOC (7) Cl.** **12-15**

(52) **U.S. Cl.** **D12/518**

(58) **Field of Search** D12/515, 517,
D12/518; 152/209.1, 209.8, 209.9, 209.18,
209.25, 209.28, 455

In the drawings, the broken lines defining the sidewall and inner bead and the peripheral boundary between the tire tread and the sidewall are for illustrative purposes only and form no part of the claimed design.

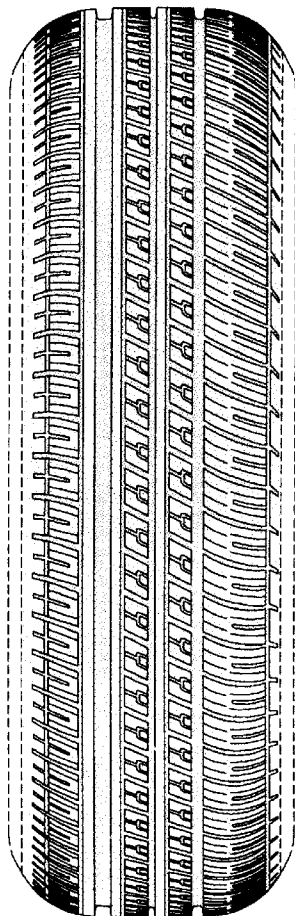
(56) **References Cited**

The dark stippled surface shading represents the recessed portion of the tread grooves, having a depth as best shown at the top and bottom of FIG. 2.

U.S. PATENT DOCUMENTS

D310,804 S * 9/1990 Covert et al. D12/532

1 Claim, 5 Drawing Sheets



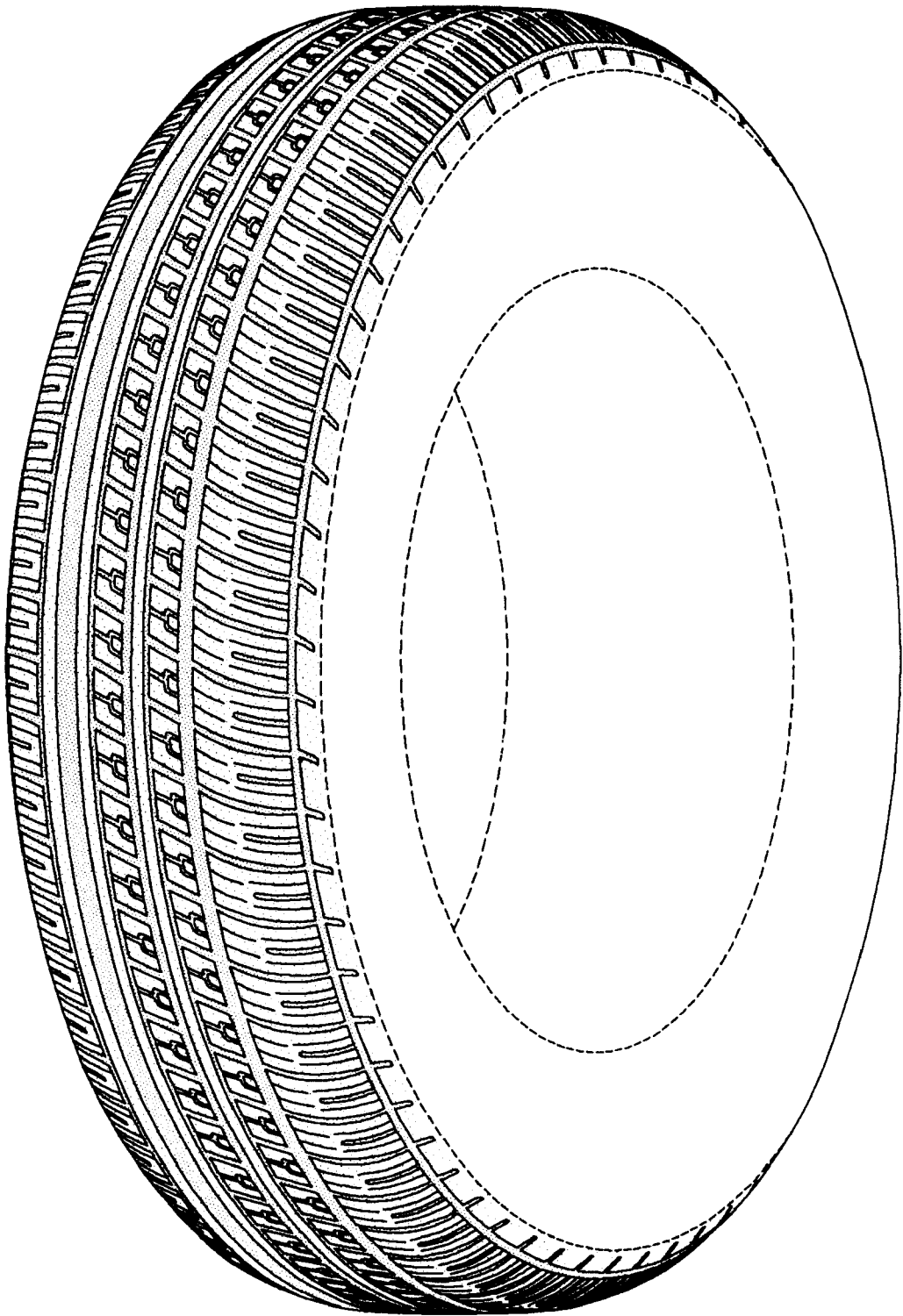


FIG-1

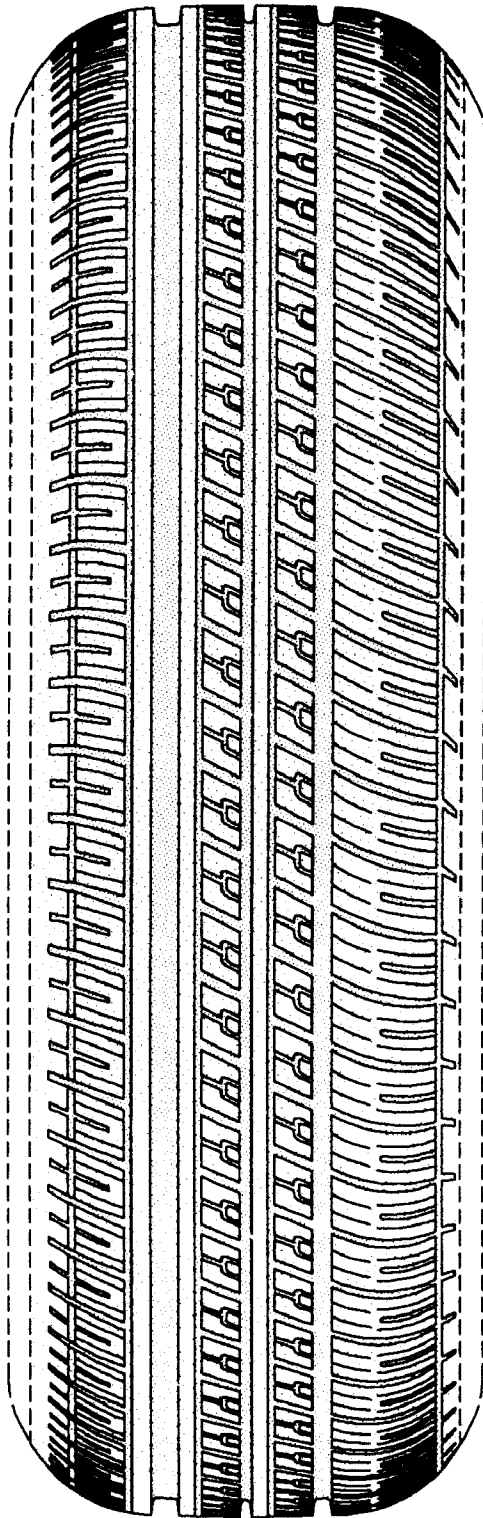


FIG-2

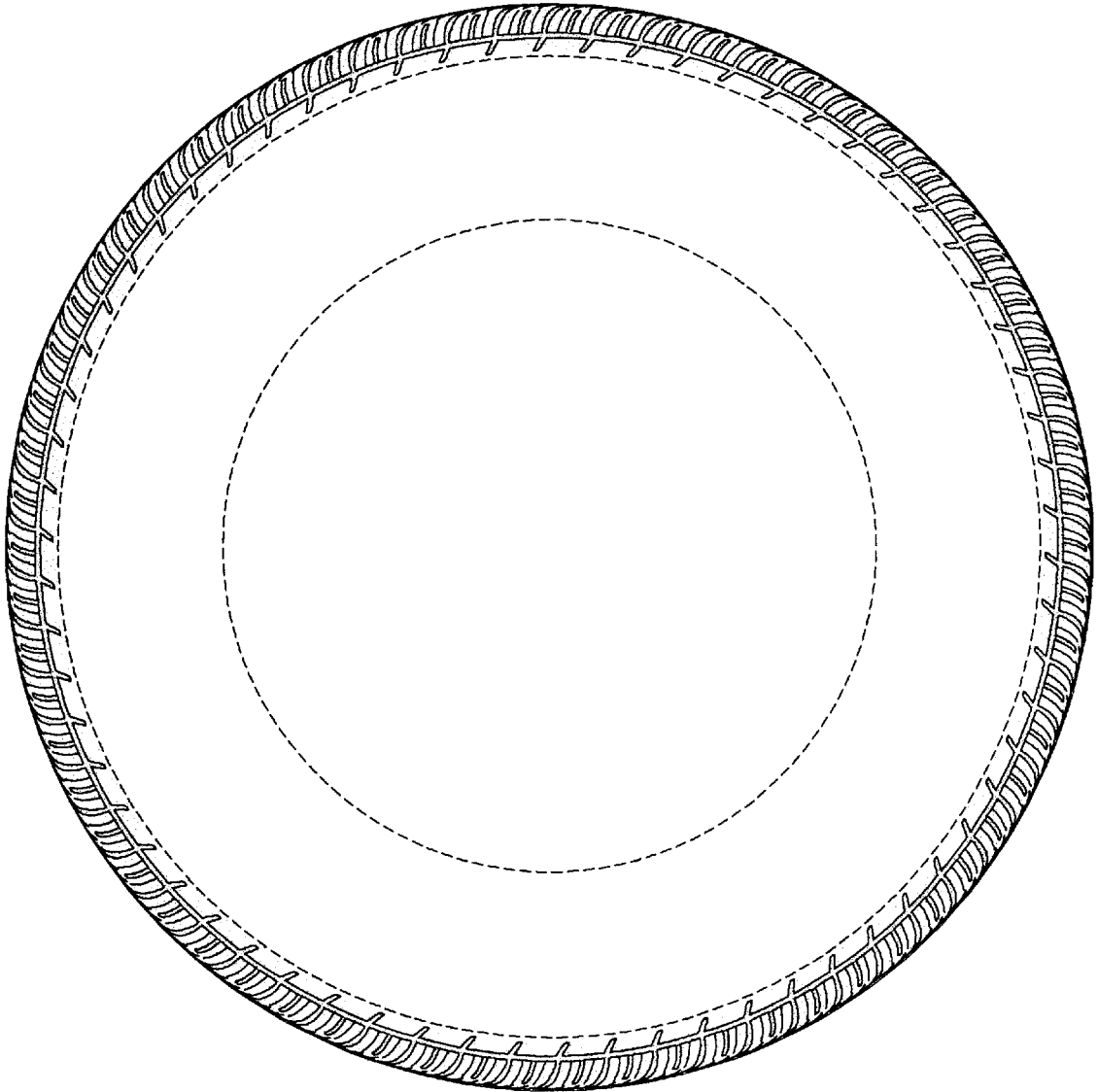


FIG-3

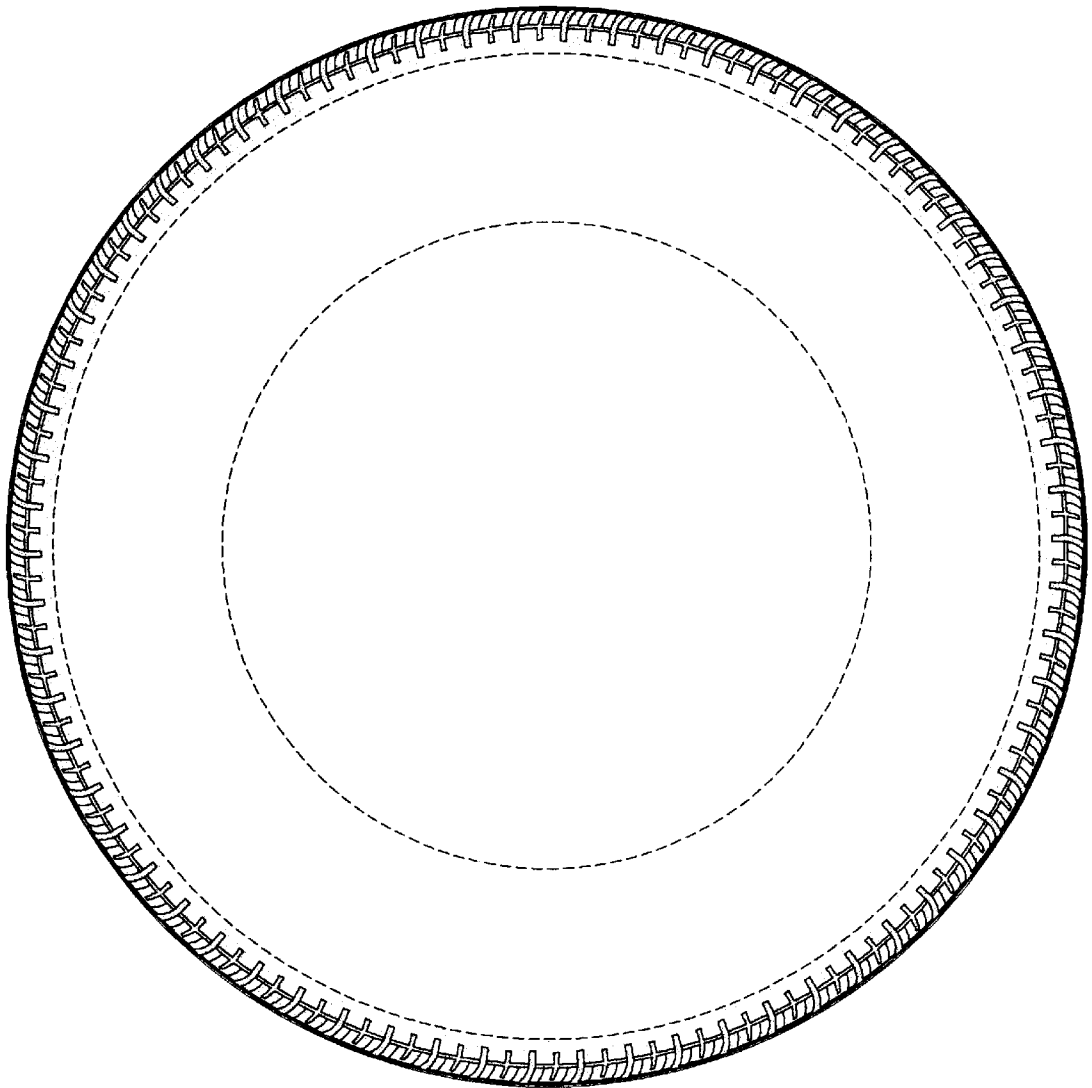


FIG-4

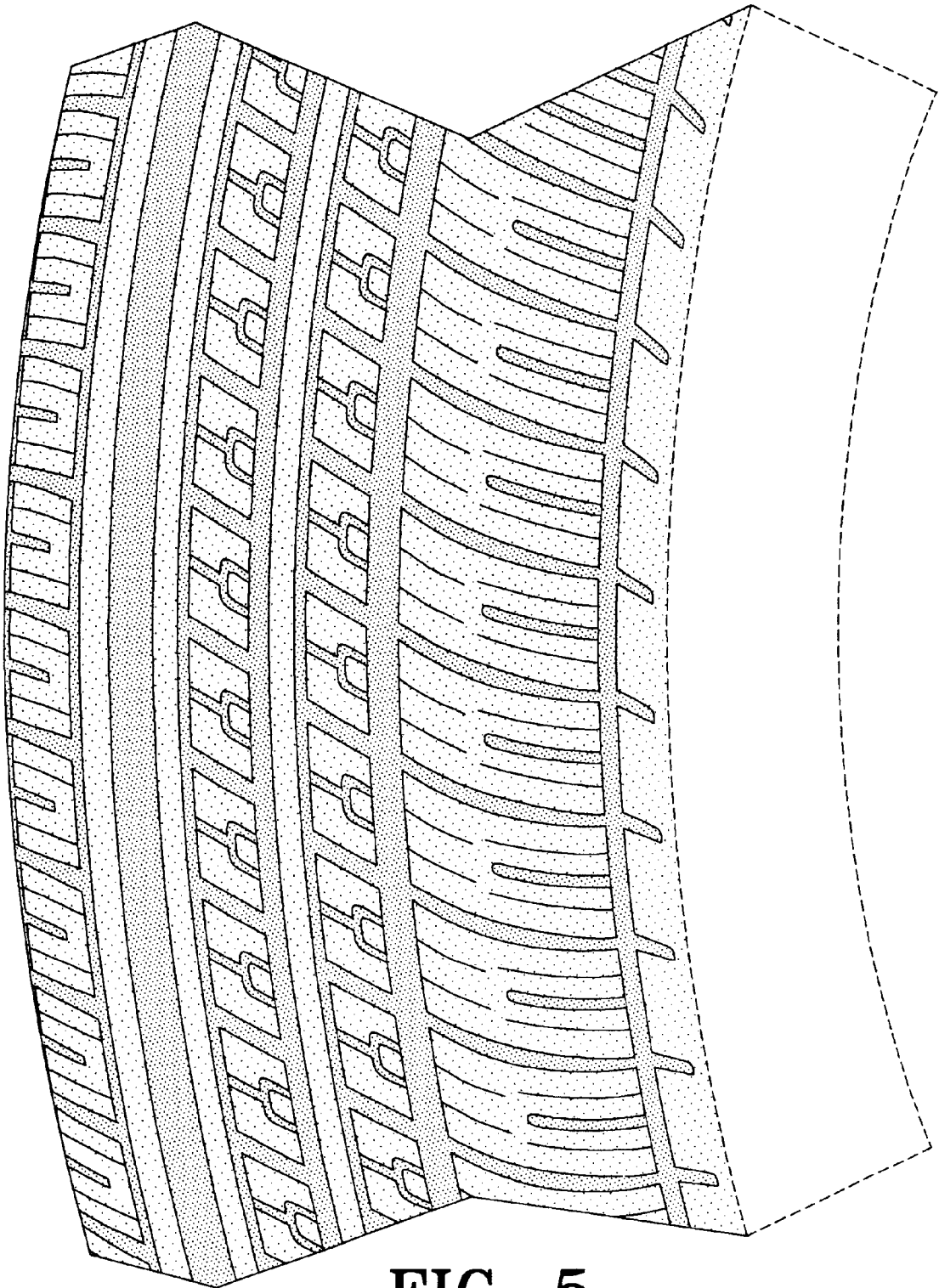


FIG-5