

(19) World Intellectual Property Organization
International Bureau



(43) International Publication Date
16 December 2010 (16.12.2010)

(10) International Publication Number
WO 2010/144580 A3

- (51) International Patent Classification:
E21B 34/06 (2006.01) *E21B 23/02* (2006.01)
E21B 34/14 (2006.01)
- (21) International Application Number:
PCT/US2010/037979
- (22) International Filing Date:
9 June 2010 (09.06.2010)
- (25) Filing Language: English
- (26) Publication Language: English
- (30) Priority Data:
12/482,181 10 June 2009 (10.06.2009) US
- (71) Applicant (for all designated States except US): **BAKER HUGHES INCORPORATED** [US/US]; PO Box 4740, Houston, Texas 77210-4740 (US).
- (72) Inventor; and
(75) Inventor/Applicant (for US only): **KELLNER, Justin** [US/US]; 3317 Irish Shores Lane, Pearland, Texas 77584 (US).
- (81) Designated States (unless otherwise indicated, for every kind of national protection available): AE, AG, AL, AM, AO, AT, AU, AZ, BA, BB, BG, BH, BR, BW, BY, BZ, CA, CH, CL, CN, CO, CR, CU, CZ, DE, DK, DM, DO, DZ, EC, EE, EG, ES, FI, GB, GD, GE, GH, GM, GT, HN, HR, HU, ID, IL, IN, IS, JP, KE, KG, KM, KN, KP, KR, KZ, LA, LC, LK, LR, LS, LT, LU, LY, MA, MD, ME, MG, MK, MN, MW, MX, MY, MZ, NA, NG, NI, NO, NZ, OM, PE, PG, PH, PL, PT, RO, RS, RU, SC, SD, SE, SG, SK, SL, SM, ST, SV, SY, TH, TJ, TM, TN, TR, TT, TZ, UA, UG, US, UZ, VC, VN, ZA, ZM, ZW.
- (84) Designated States (unless otherwise indicated, for every kind of regional protection available): ARIPO (BW, GH, GM, KE, LR, LS, MW, MZ, NA, SD, SL, SZ, TZ, UG, ZM, ZW), Eurasian (AM, AZ, BY, KG, KZ, MD, RU, TJ, TM), European (AL, AT, BE, BG, CH, CY, CZ, DE, DK,

[Continued on next page]

(54) Title: SEAT APPARATUS AND METHOD

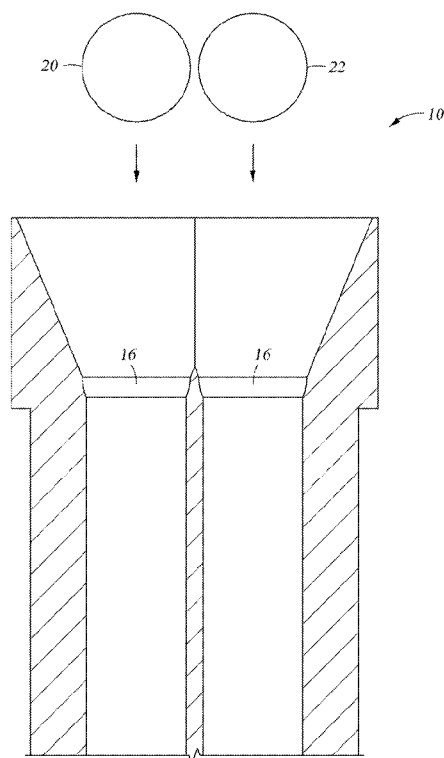


Fig. 2

(57) Abstract: A seat apparatus comprises a housing defining at least a first flow path and at least a second flow path, a first seat disposed in the housing for receipt of a first object operative to obstruct the first flow path, and a second seat disposed in the housing for receipt of a second object operative to obstruct the second flow path and method.

WO 2010/144580 A3



EE, ES, FI, FR, GB, GR, HR, HU, IE, IS, IT, LT, LU,
LV, MC, MK, MT, NL, NO, PL, PT, RO, SE, SI, SK,
SM, TR), OAPI (BF, BJ, CF, CG, CI, CM, GA, GN, GQ,
GW, ML, MR, NE, SN, TD, TG).

Published:

- *with international search report (Art. 21(3))*
- *before the expiration of the time limit for amending the claims and to be republished in the event of receipt of amendments (Rule 48.2(h))*

Declarations under Rule 4.17:

- *as to applicant's entitlement to apply for and be granted a patent (Rule 4.17(ii))*
- *as to the applicant's entitlement to claim the priority of the earlier application (Rule 4.17(iii))*

(88) Date of publication of the international search report:

7 April 2011

INTERNATIONAL SEARCH REPORT

International application No.
PCT/US2010/037979**A. CLASSIFICATION OF SUBJECT MATTER*****E21B 34/06(2006.01)i, E21B 34/14(2006.01)i, E21B 23/02(2006.01)i***

According to International Patent Classification (IPC) or to both national classification and IPC

B. FIELDS SEARCHED

Minimum documentation searched (classification system followed by classification symbols)

E21B 34/06; F21B 34/10; E21B 43/00; F16K 15/04; E21B 36/00

Documentation searched other than minimum documentation to the extent that such documents are included in the fields searched

Korean utility models and applications for utility models
Japanese utility models and applications for utility models

Electronic data base consulted during the international search (name of data base and, where practicable, search terms used)

eKOMPASS(KIPO internal) & Keywords:seat, ball, flow path, downflow

C. DOCUMENTS CONSIDERED TO BE RELEVANT

Category*	Citation of document, with indication, where appropriate, of the relevant passages	Relevant to claim No.
X	WO 98-03766 A1 (PICHER, RICK) 29 January 1998 See pages 8-10 and figures 2, 7-9.	1-20
A	US 6155350 A1 (MELENYZER; GEORGE JAMES) 05 December 2000 See abstract and figure 1.	1, 10, 19
A	US 2007-0295507 A1 (SPECIALISED PETROLEUM SERVICES GROUP LIMITED) 27 December 2007 See abstract and figure 1.	1, 10, 19
A	US 2008-0011487 A1 (BLACKHAWK ENVIRONMENTAL CO) 17 January 2008 See abstract and figure 1.	1, 10, 19

 Further documents are listed in the continuation of Box C. See patent family annex.

* Special categories of cited documents:

"A" document defining the general state of the art which is not considered to be of particular relevance

"E" earlier application or patent but published on or after the international filing date

"L" document which may throw doubts on priority claim(s) or which is cited to establish the publication date of citation or other special reason (as specified)

"O" document referring to an oral disclosure, use, exhibition or other means

"P" document published prior to the international filing date but later than the priority date claimed

"T" later document published after the international filing date or priority date and not in conflict with the application but cited to understand the principle or theory underlying the invention

"X" document of particular relevance; the claimed invention cannot be considered novel or cannot be considered to involve an inventive step when the document is taken alone

"Y" document of particular relevance; the claimed invention cannot be considered to involve an inventive step when the document is combined with one or more other such documents, such combination being obvious to a person skilled in the art

"&" document member of the same patent family

Date of the actual completion of the international search

25 JANUARY 2011 (25.01.2011)

Date of mailing of the international search report

26 JANUARY 2011 (26.01.2011)

Name and mailing address of the ISA/KR

Korean Intellectual Property Office
Government Complex-Daejeon, 139 Seonsa-ro, Seo-
gu, Daejeon 302-701, Republic of Korea

Facsimile No. 82-42-472-7140

Authorized officer

KANG, Min Sug

Telephone No. 82-42-481-5860



INTERNATIONAL SEARCH REPORT

Information on patent family members

International application No.

PCT/US2010/037979

Patent document cited in search report	Publication date	Patent family member(s)	Publication date
WO 98-03766 A1	29.01.1998	AU 3534997 A CA 2181671-A1	10.02.1998 20.01.1998
US 6155350 A1	05.12.2000	None	
US 2007-0295507 A1	27.12.2007	AT 390539 T BR P10510302A CA 2565133-A1 DE 602005005669 D1 DE 602005005669 T2 DK1756393T3 EA010731B1 EA200602006A1 EP 1756393 A1 EP 1756393 B1 GB 0409619 D0 MX PA06012538A NO20065515A US 7681650 B2 WO 2005-106186 A1	15.04.2008 02.10.2007 10.11.2005 08.05.2008 17.07.2008 28.07.2008 30.10.2008 29.06.2007 28.02.2007 26.03.2008 02.06.2004 10.05.2007 29.01.2007 23.03.2010 10.11.2005
US 2008-0011487 A1	17.01.2008	None	