



US00D888132S

(12) **United States Design Patent** (10) **Patent No.:** **US D888,132 S**
Kao et al. (45) **Date of Patent:** **** Jun. 23, 2020**

(54) **PROJECTOR EQUIPPED WITH FUNCTIONAL MODULE**
(71) Applicants: **Hsing-Yi Kao**, Taipei (TW);
Ming-Chung Liu, Taipei (TW);
Shih-Neng Hong, Taipei (TW)
(72) Inventors: **Hsing-Yi Kao**, Taipei (TW);
Ming-Chung Liu, Taipei (TW);
Shih-Neng Hong, Taipei (TW)
(73) Assignee: **COMPAL ELECTRONICS, INC.**,
Taipei (TW)
(**) Term: **15 Years**
(21) Appl. No.: **29/673,225**
(22) Filed: **Dec. 13, 2018**
(51) **LOC (12) Cl.** **16-02**
(52) **U.S. Cl.**
USPC **D16/235**
(58) **Field of Classification Search**
USPC D16/221, 225, 229, 230-233, 208, 214;
D14/423; 348/373, 375; 353/119, 122
(Continued)

(56) **References Cited**
U.S. PATENT DOCUMENTS
D401,954 S * 12/1998 Oh D16/232
6,695,452 B2 * 2/2004 Panasewicz G03B 21/145
353/119
(Continued)

Primary Examiner — Wan Laymon
(74) *Attorney, Agent, or Firm* — JCIPRNET

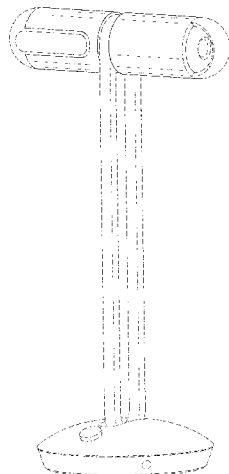
(57) **CLAIM**
The ornamental design for a projector equipped with functional module, as shown and described.

DESCRIPTION

FIG. 1 is a perspective view of a projector equipped with functional module showing our new design;

FIG. 2 is a front view thereof;
FIG. 3 is a rear view thereof;
FIG. 4 is a left side view thereof;
FIG. 5 is a right side view thereof;
FIG. 6 is a top view thereof;
FIG. 7 is a bottom view thereof;
FIG. 8 is a perspective view thereof in a state which the support, the projecting module and the functional module are moved;
FIG. 9 is a front view thereof in a state which the support, the projecting module and the functional module are moved;
FIG. 10 is a rear view thereof in a state which the support, the projecting module and the functional module are moved;
FIG. 11 is a left side view thereof in a state which the support, the projecting module and the functional module are moved;
FIG. 12 is a right side view thereof in a state which the support, the projecting module and the functional module are moved;
FIG. 13 is a top view thereof in a state which the support, the projecting module and the functional module are moved;
FIG. 14 is a bottom view thereof in a state which the support, the projecting module and the functional module are moved;
FIG. 15 is a perspective view thereof in a using state which the projecting module and the functional module are combined with each other;
FIG. 16 is a front view thereof in a using state which the projecting module and the functional module are combined with each other;
FIG. 17 is a rear view thereof in a using state which the projecting module and the functional module are combined with each other;
FIG. 18 is a left side view thereof in a using state which the projecting module and the functional module are combined with each other;
FIG. 19 is a right side view thereof in a using state which the projecting module and the functional module are combined with each other;
FIG. 20 is a top view thereof in a using state which the projecting module and the functional module are combined with each other; and,
FIG. 21 is a bottom view thereof in a using state which the projecting module and the functional module are combined with each other.

(Continued)



The dashed broken lines depict portions of the projector equipped with functional module and form no part of the claimed design. The dot-dash broken lines define the bounds of the claimed design and form no part thereof.

1 Claim, 16 Drawing Sheets

(58) **Field of Classification Search**

CPC G03B 21/00; G03B 21/001; G03B 21/003;
 G03B 21/12; G03B 21/14; G03B 21/145;
 G03B 21/2013; H04N 5/2251; H04N
 5/2252; H04N 5/2253; H04N 5/2254;
 F21V 21/32; F21V 23/04

See application file for complete search history.

(56) **References Cited**

U.S. PATENT DOCUMENTS

D487,903	S *	3/2004	Panasewicz	D16/225
D518,081	S *	3/2006	Peard	D16/225
7,281,807	B2 *	10/2007	Plut	G03B 21/16 348/771
D554,685	S *	11/2007	Ishikawa	D16/225
D695,814	S *	12/2013	Park	D16/232
D717,855	S *	11/2014	Hong	D16/232
D764,563	S *	8/2016	Magi	D16/221
9,562,673	B1 *	2/2017	Khubani	G03B 21/14
D819,713	S *	6/2018	Pickett	D16/214
10,146,120	B1 *	12/2018	Zhang	G03B 21/145
2004/0165389	A1 *	8/2004	Chang	H04N 9/3141 362/317
2018/0106471	A1 *	4/2018	Gao	G03B 21/145

* cited by examiner

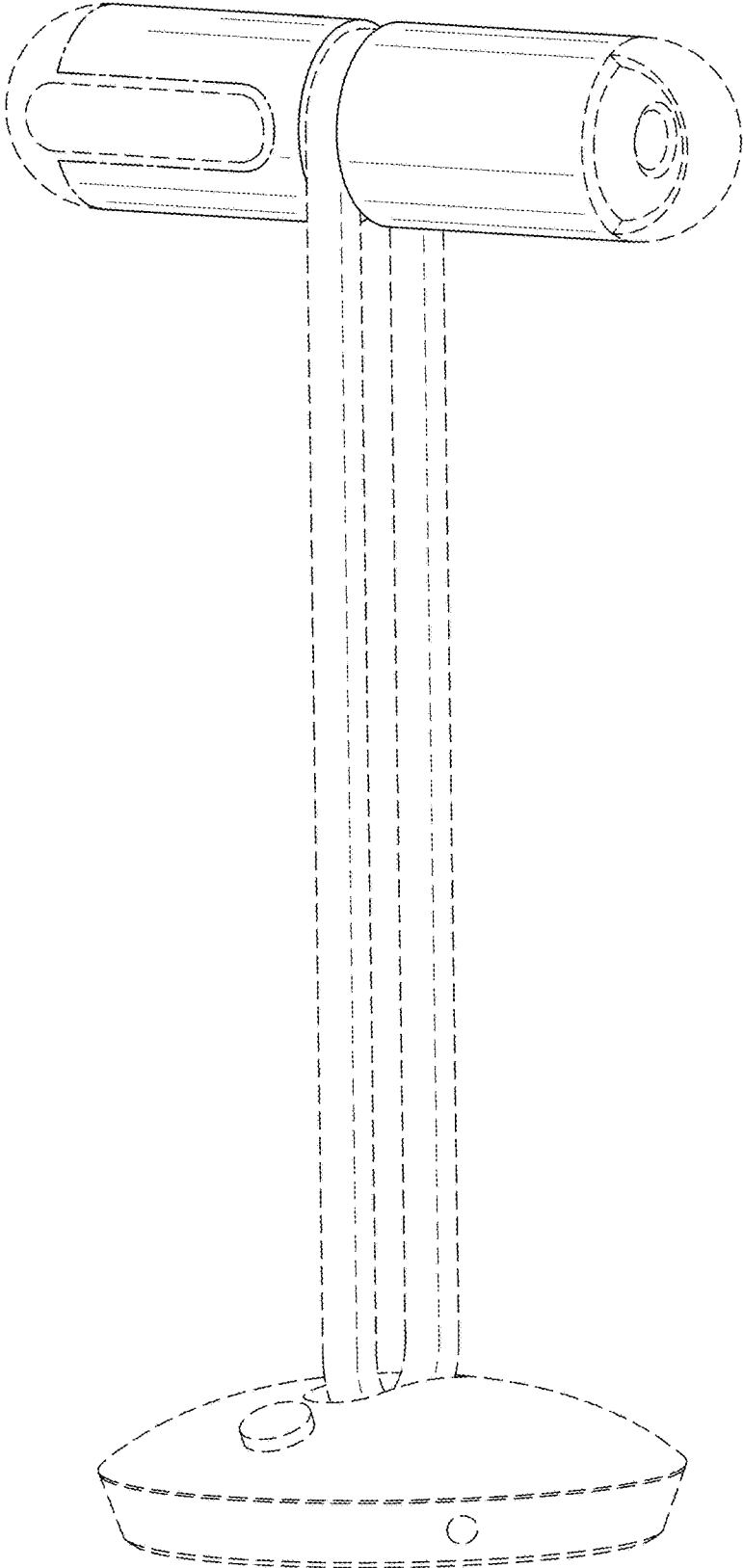


FIG. 1

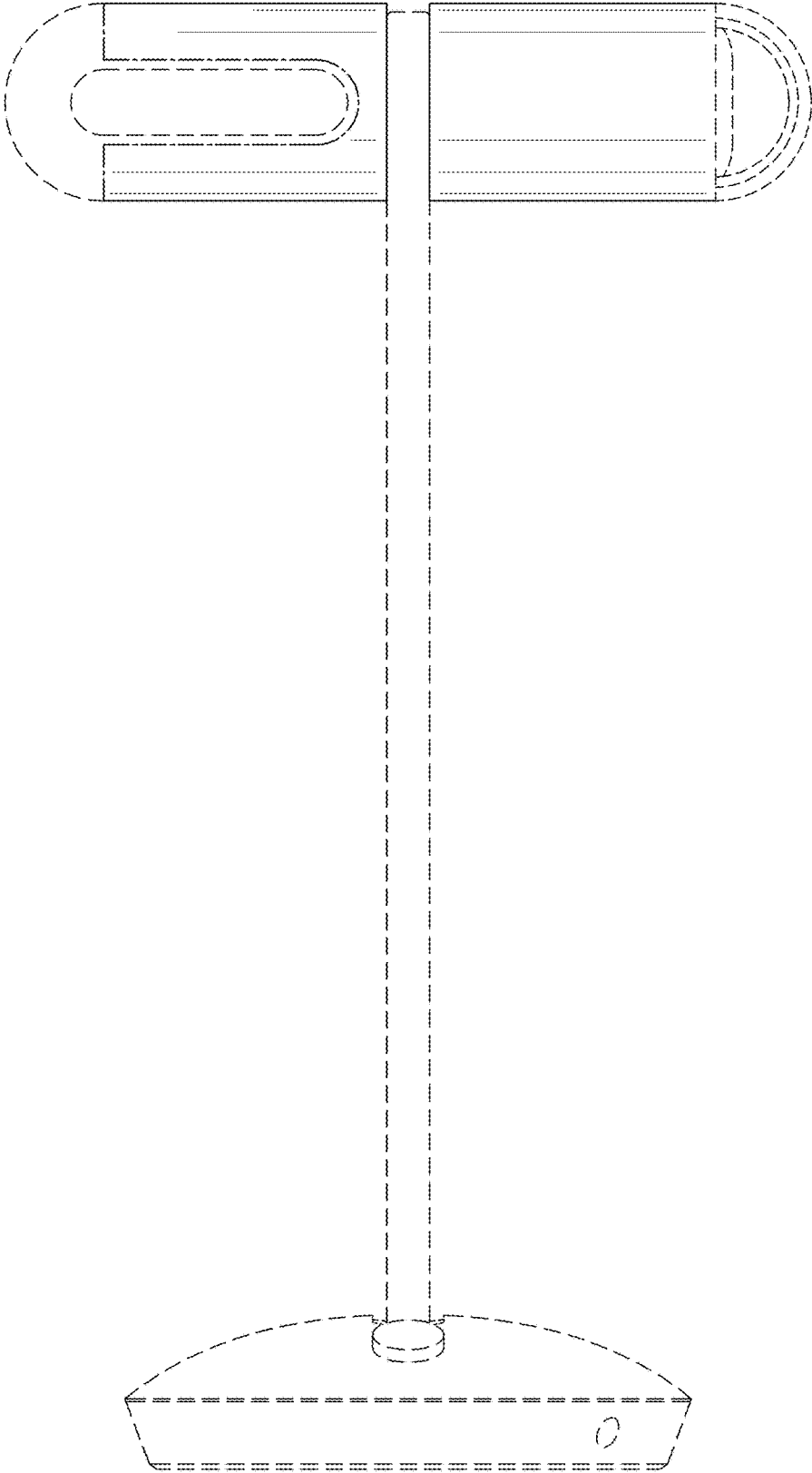


FIG. 2

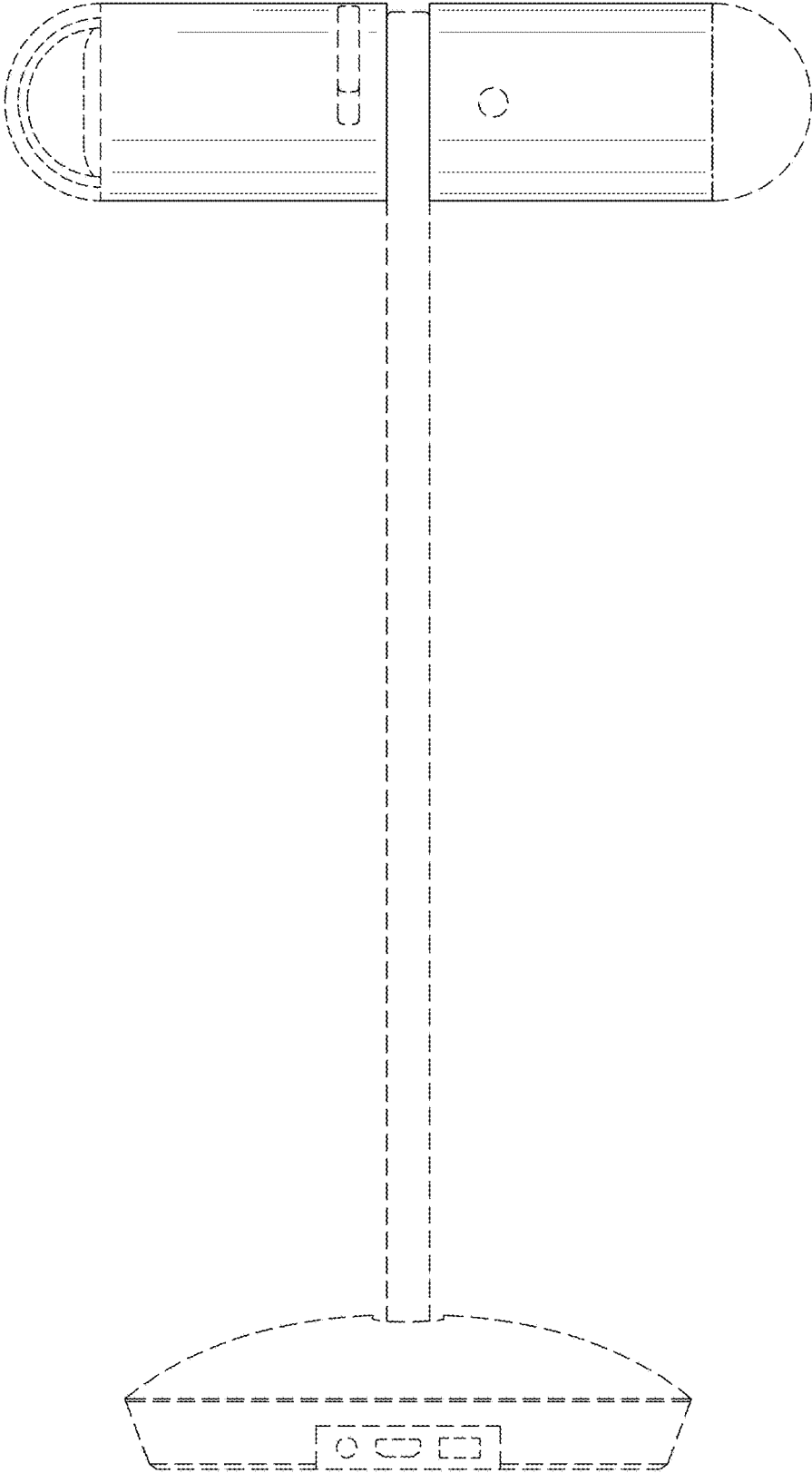


FIG. 3

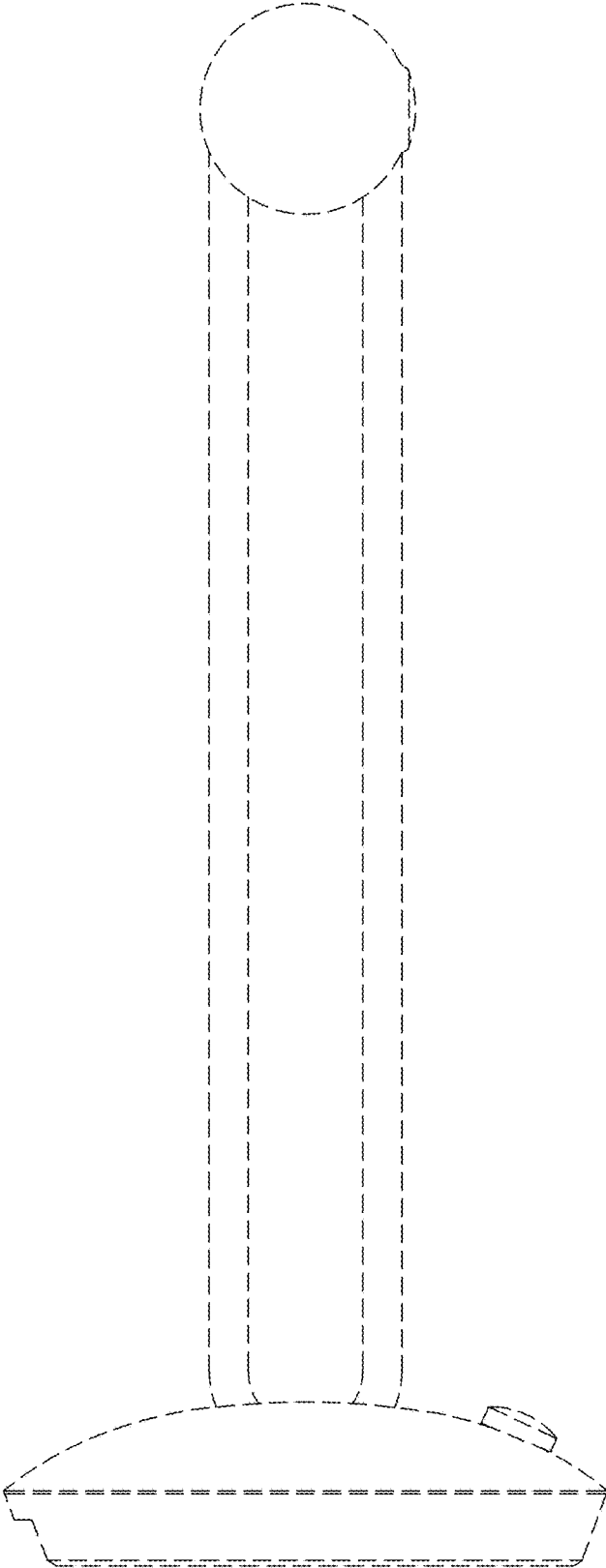


FIG. 4

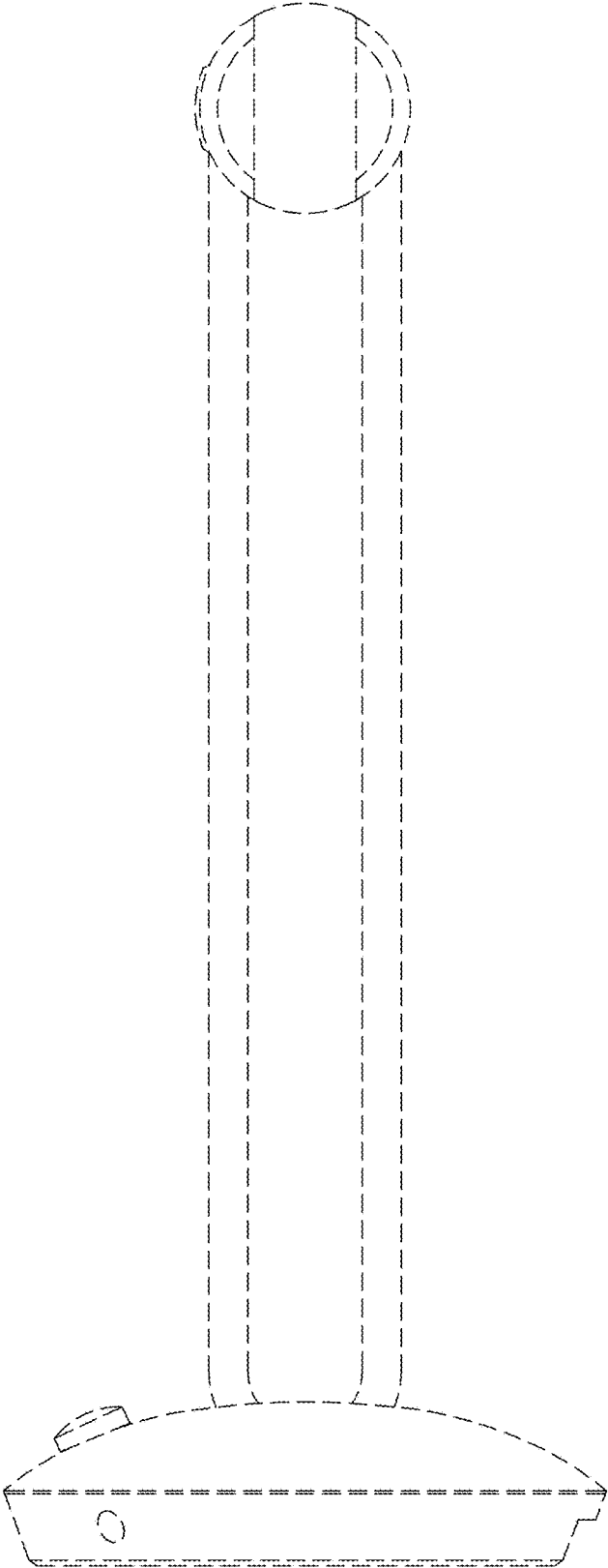


FIG. 5

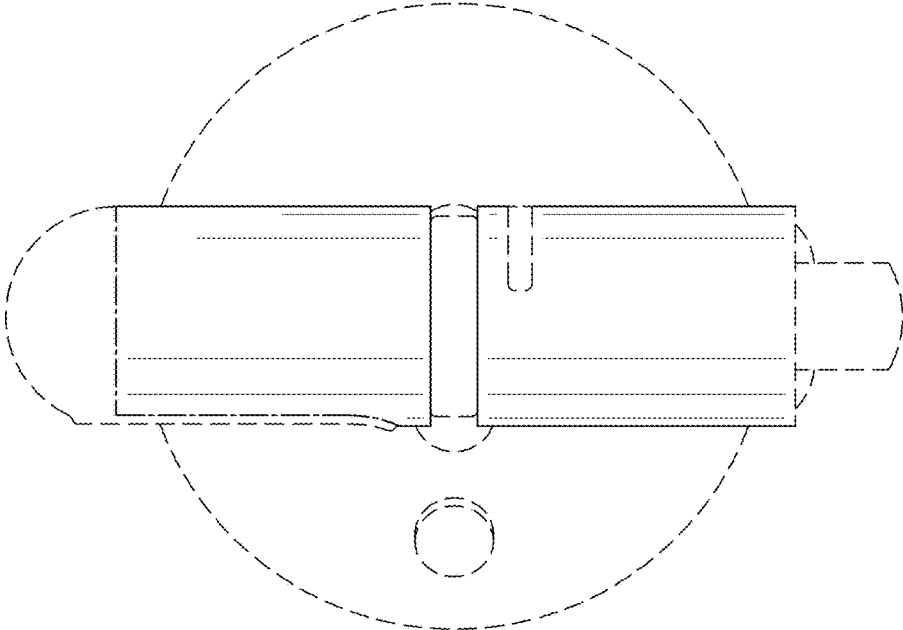


FIG. 6

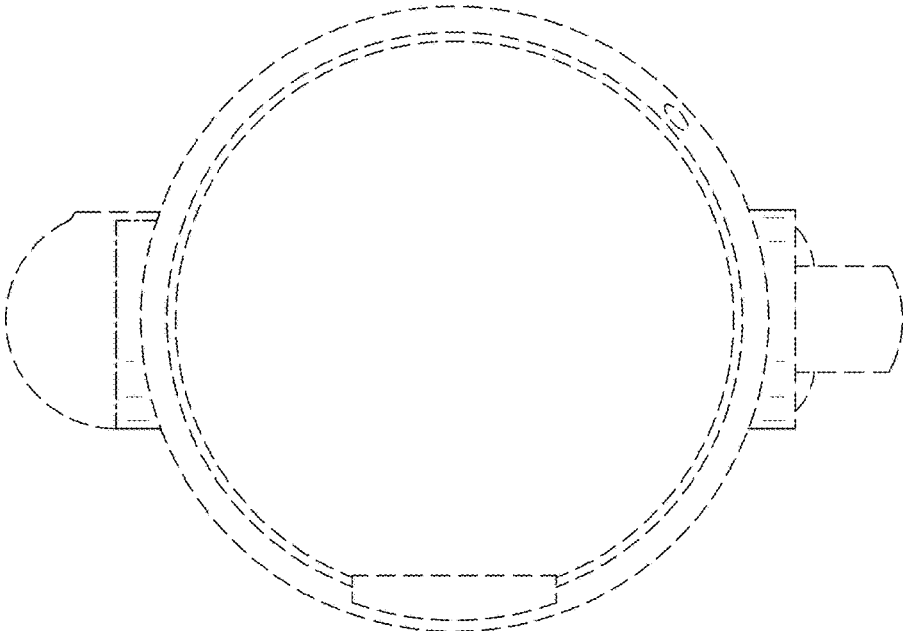


FIG. 7

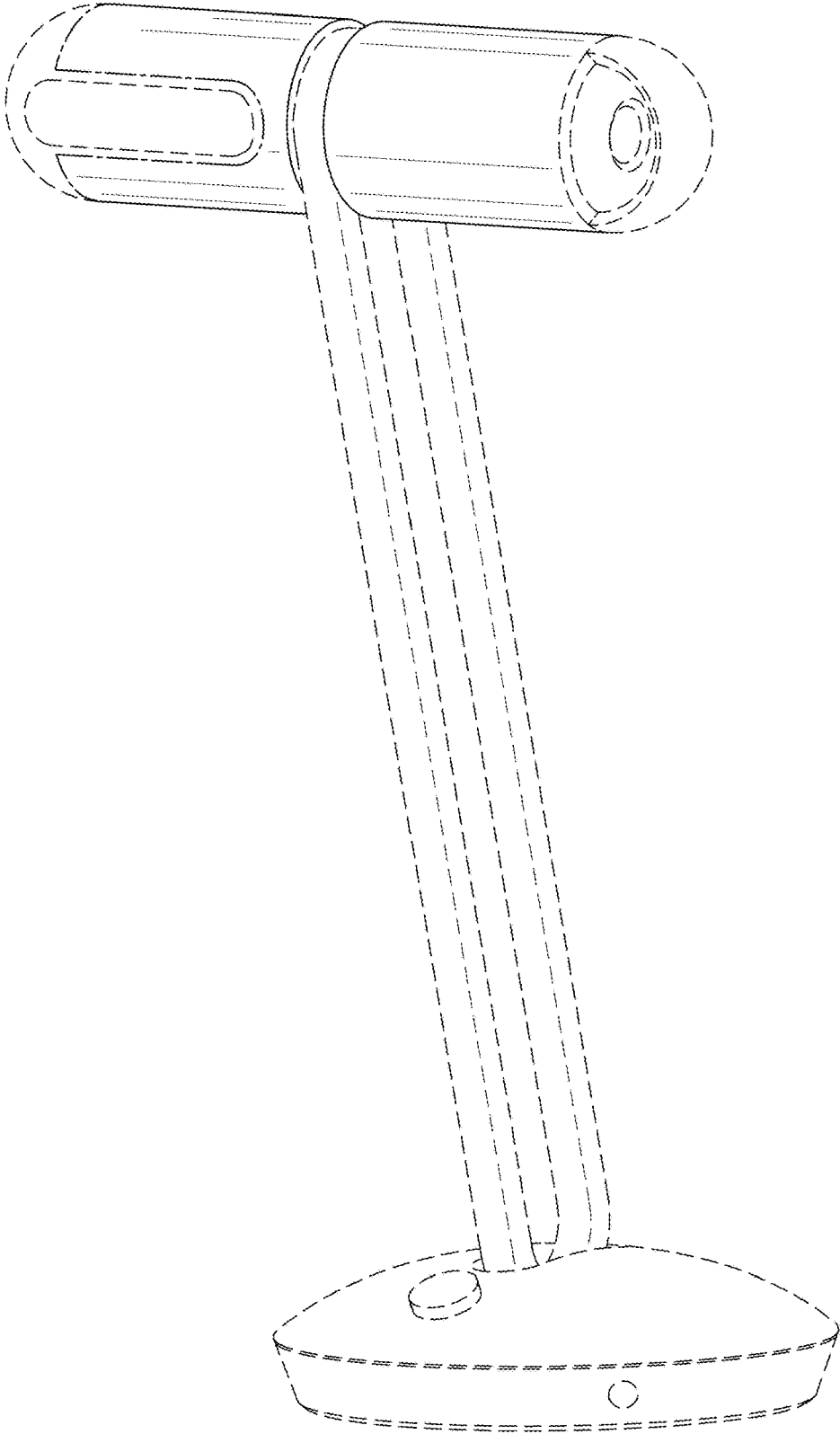


FIG. 8

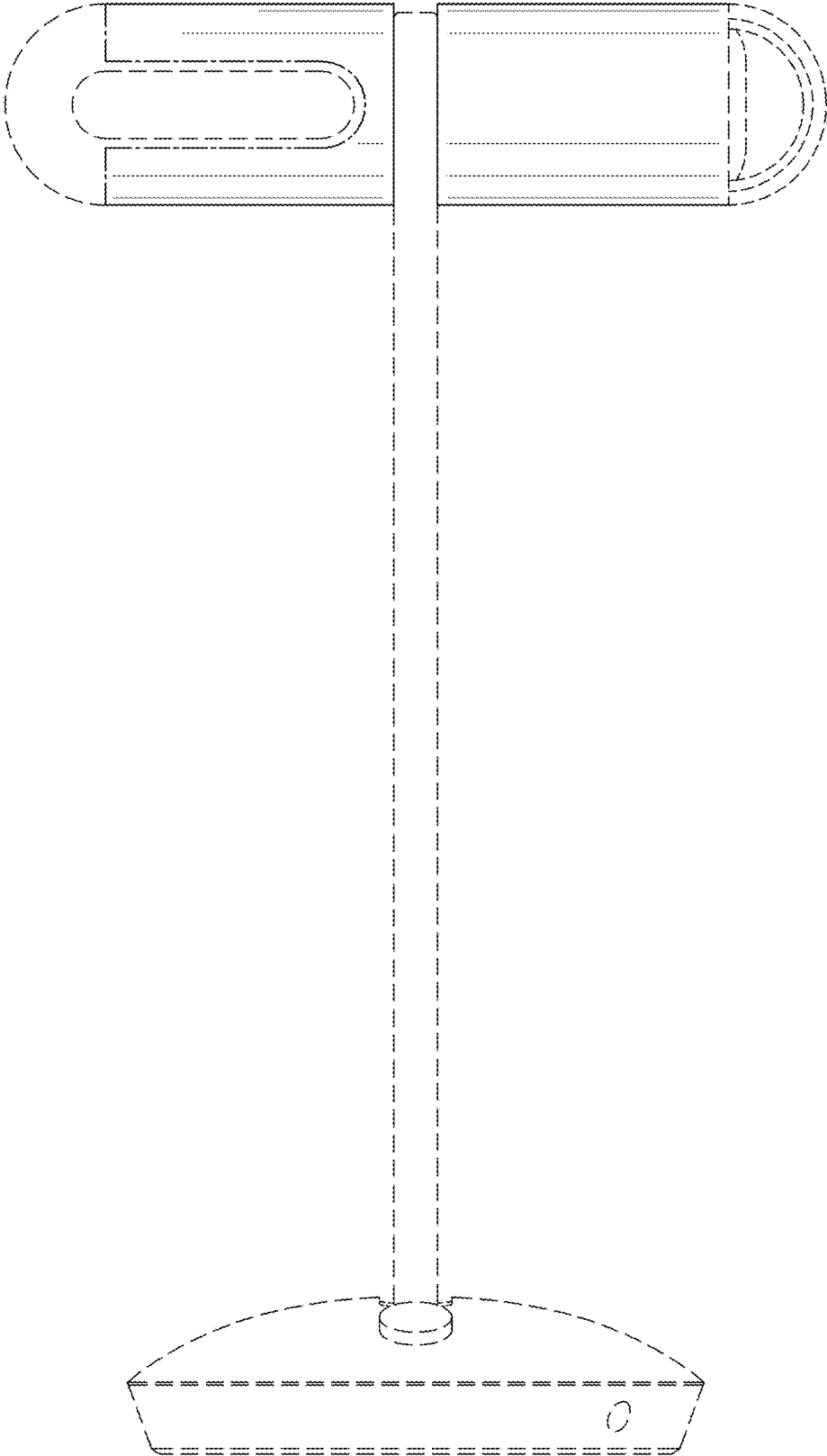


FIG. 9

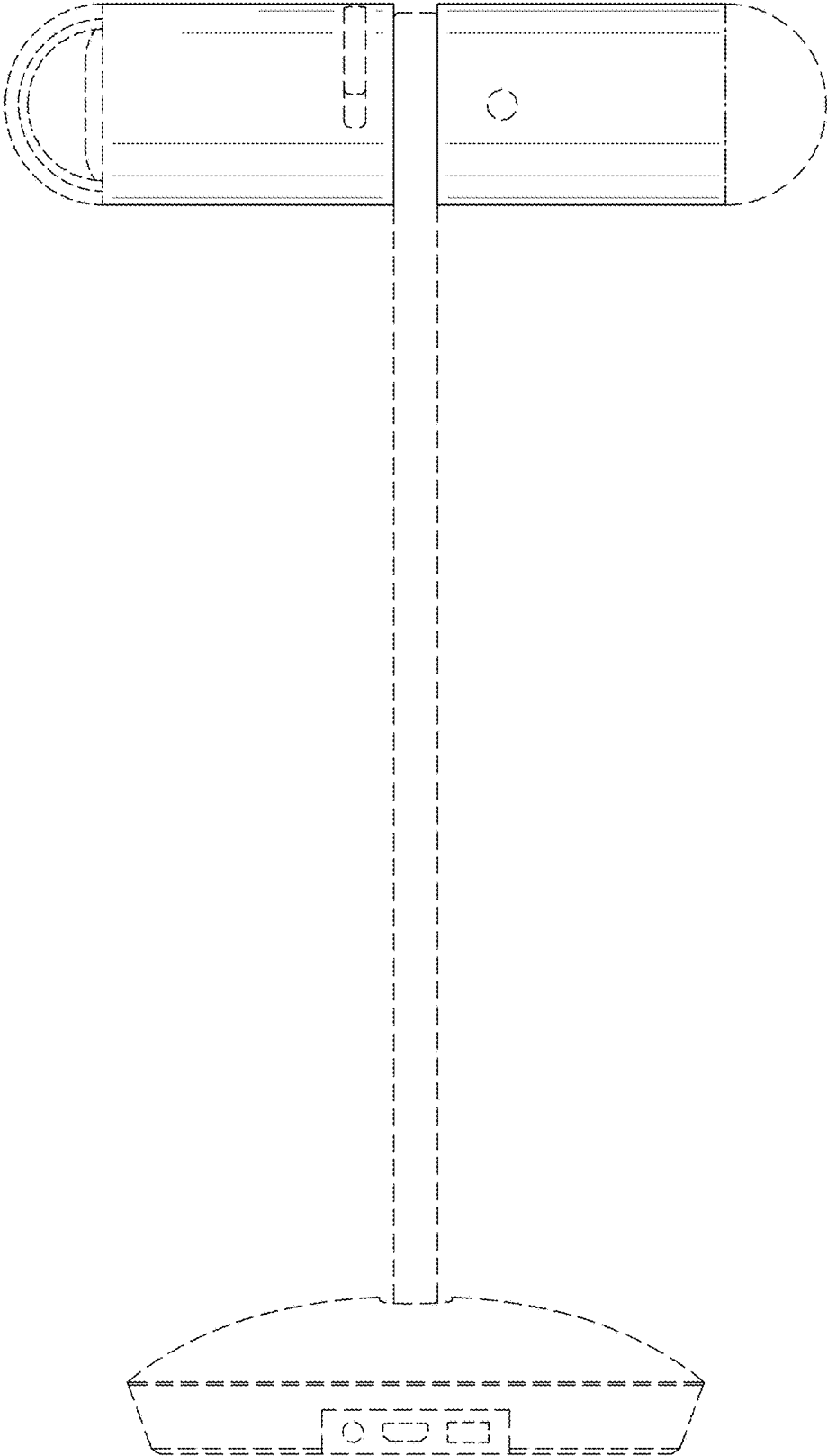


FIG. 10

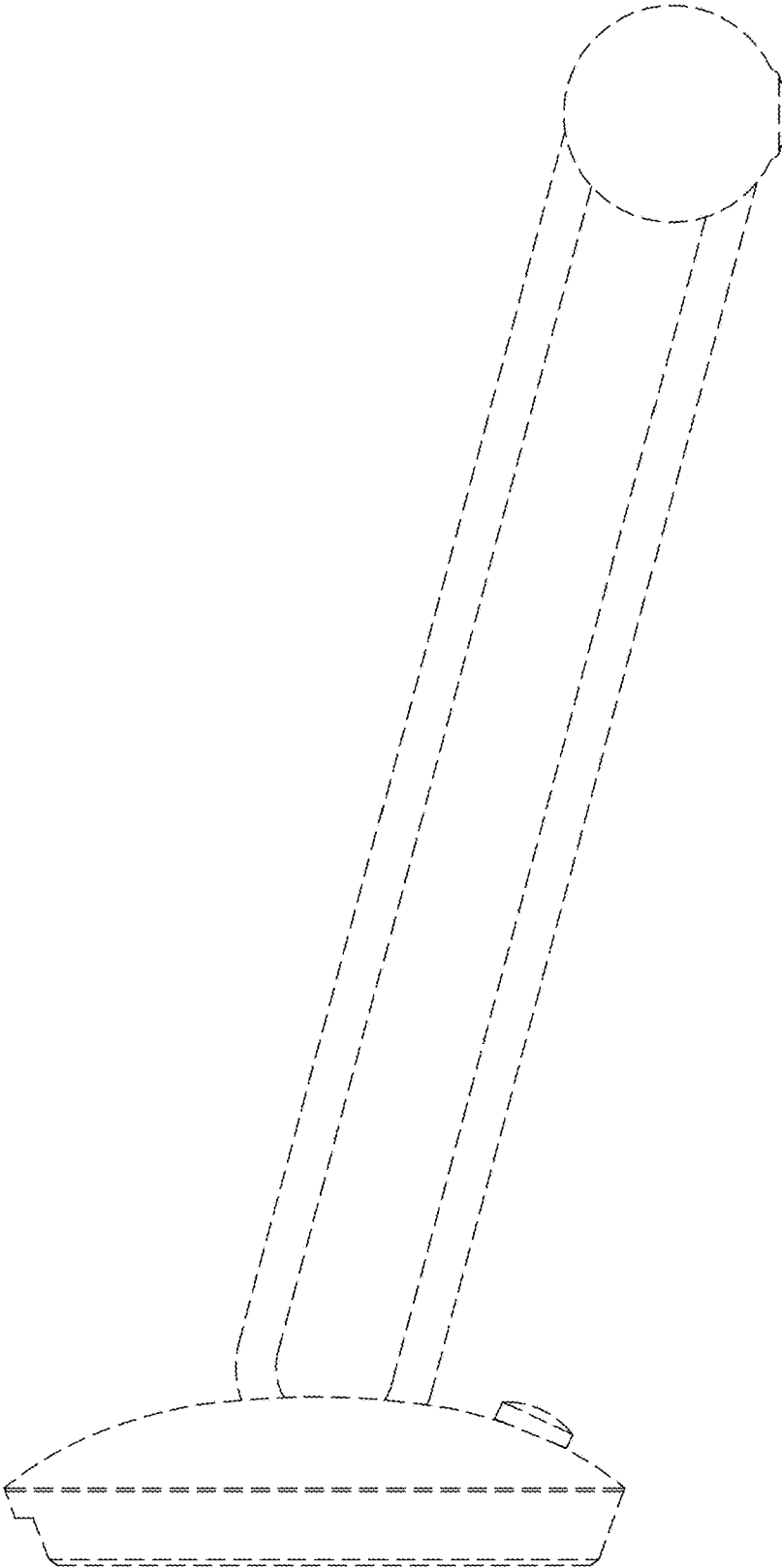


FIG. 11

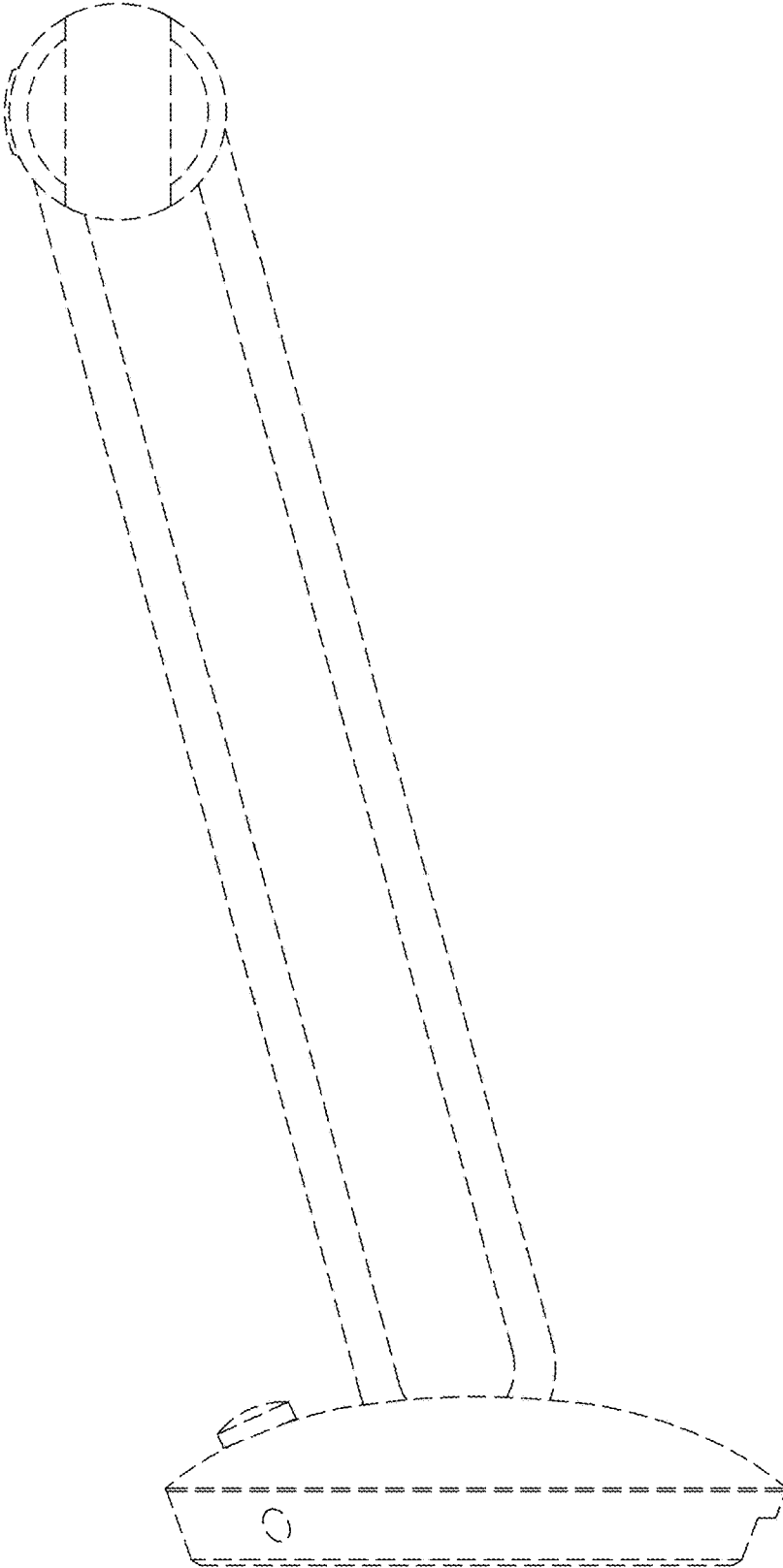


FIG. 12

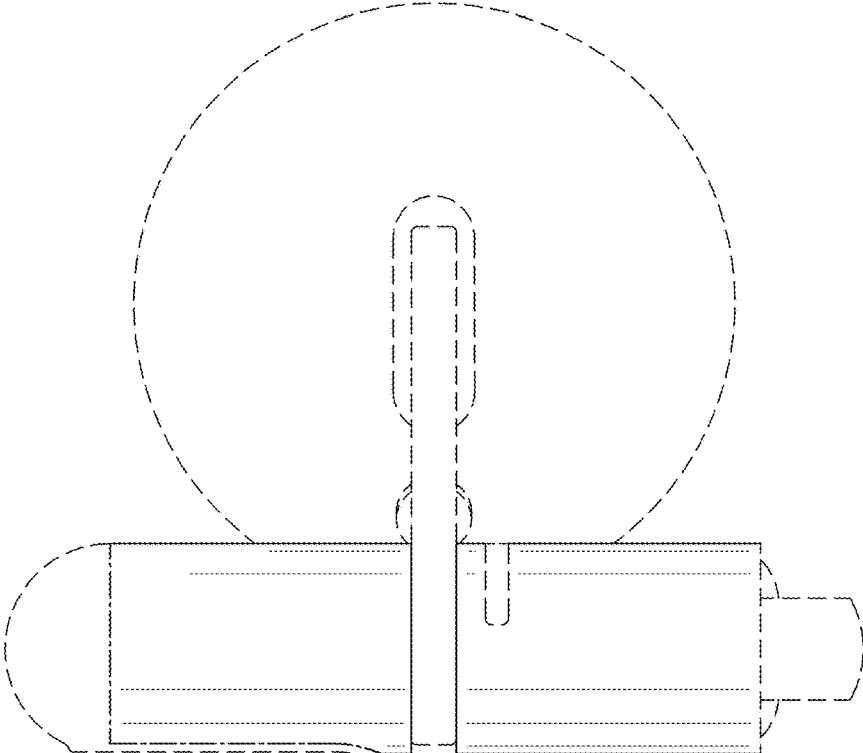


FIG. 13

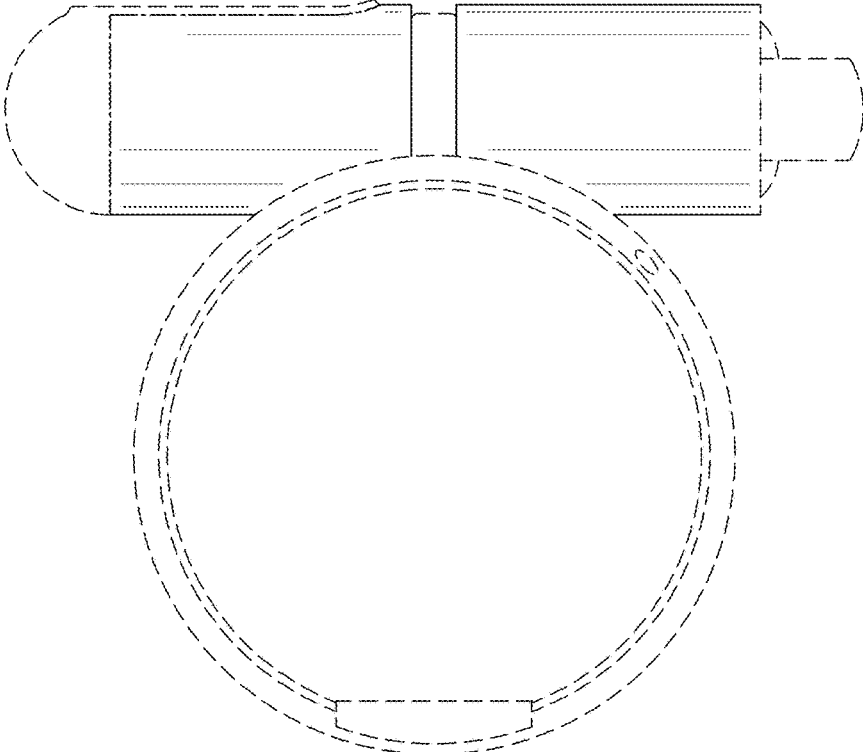


FIG. 14

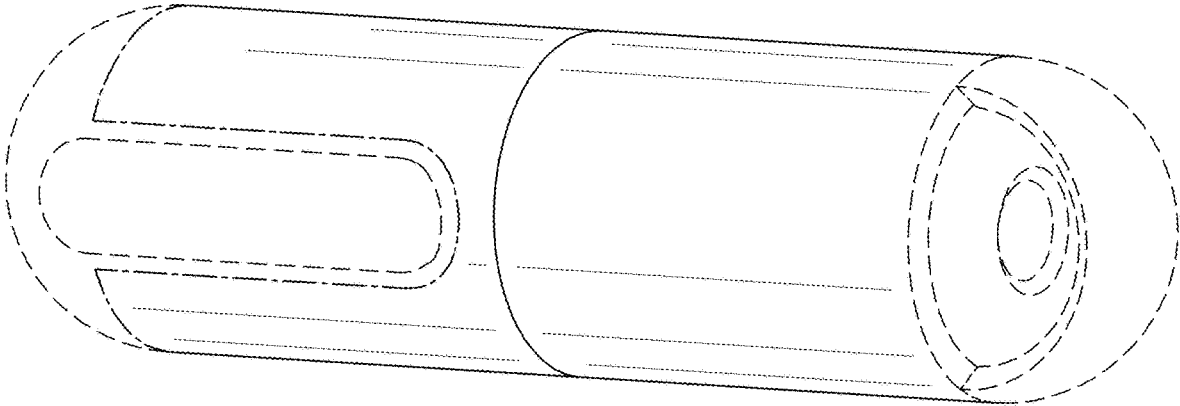


FIG. 15

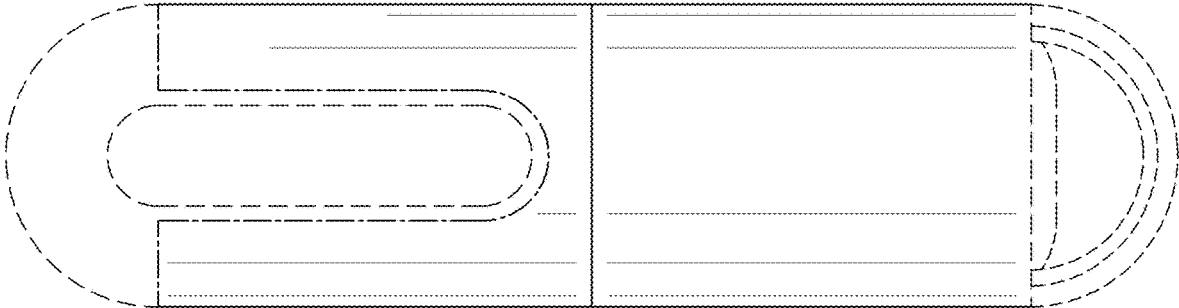


FIG. 16

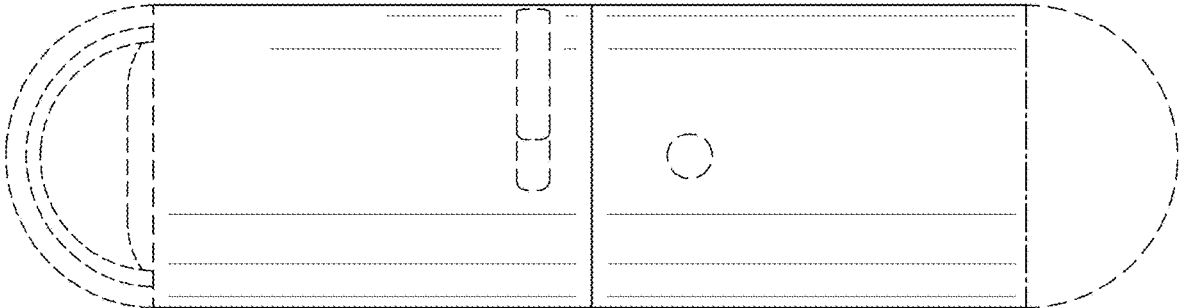


FIG. 17

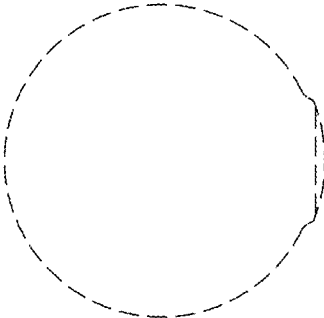


FIG. 18

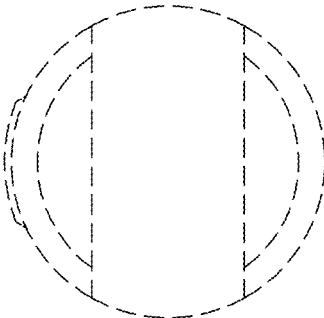


FIG. 19

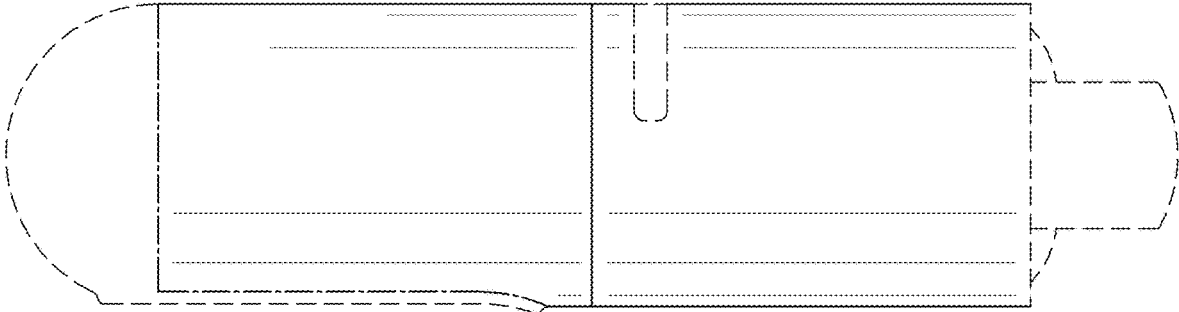


FIG. 20

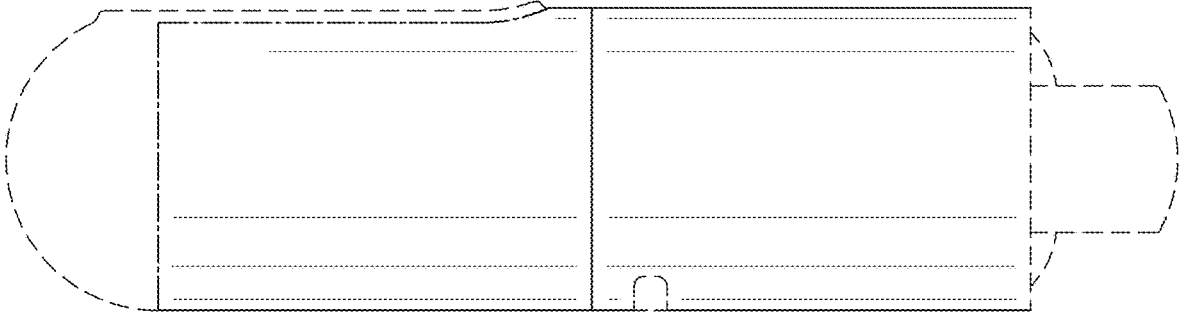


FIG. 21