



US00D747486S

(12) **United States Design Patent**
Ishiwata

(10) **Patent No.:** **US D747,486 S**

(45) **Date of Patent:** **** Jan. 12, 2016**

- (54) **INTERBODY IMPLANT**
- (71) Applicant: **NANTO.PRECISION CO., LTD.**,
Numazu-shi, Shizuoka-ken (JP)
- (72) Inventor: **Teruo Ishiwata**, Numazu (JP)
- (73) Assignee: **NANTOH CO., LTD.**, Numazu-Shi,
Shizuoka-Ken (JP)
- (**) Term: **14 Years**

| | | | | | | |
|--------------|----|---|---------|-------------------|-------|----------|
| D587,373 | S | * | 2/2009 | Purga et al. | | D24/156 |
| D616,548 | S | * | 5/2010 | Fares et al. | | D24/156 |
| 7,921,991 | B2 | * | 4/2011 | Sato et al. | | 206/63.5 |
| 8,083,054 | B2 | * | 12/2011 | Nihei et al. | | 206/63.5 |
| D659,829 | S | * | 5/2012 | Nihei et al. | | D24/156 |
| 8,292,075 | B2 | * | 10/2012 | Liao et al. | | 206/438 |
| 2004/0112781 | A1 | * | 6/2004 | Hofverberg et al. | | 206/438 |
| 2007/0295620 | A1 | * | 12/2007 | Collet et al. | | 206/63.5 |
| 2008/0261177 | A1 | * | 10/2008 | Ford et al. | | 433/174 |
| 2010/0227294 | A1 | * | 9/2010 | Takagi et al. | | 433/174 |
| 2010/0236947 | A1 | * | 9/2010 | Liao et al. | | 206/63.5 |
| 2010/0243485 | A1 | * | 9/2010 | Sato et al. | | 206/63.5 |

(21) Appl. No.: **29/518,356**

(22) Filed: **Feb. 23, 2015**

Related U.S. Application Data

(62) Division of application No. 29/438,098, filed on Nov. 26, 2012, now Pat. No. Des. 735,337.

(51) **LOC (10) Cl.** **24-02**

(52) **U.S. Cl.**
USPC **D24/156**

(58) **Field of Classification Search**
USPC D24/155-156, 176; D8/387; D15/21, D15/28

CPC .. A61C 8/0089; A61C 8/0069; A61C 8/0054;
A61C 8/00; A61C 8/0096; A61C 8/0039;
A61C 8/0063; A61C 8/006; A61C 8/0001;
A61C 8/0012; A61C 8/0075; A61C 13/225

See application file for complete search history.

(56) **References Cited**

U.S. PATENT DOCUMENTS

| | | | | | | |
|-----------|---|---|---------|-----------------|-------|---------|
| 5,368,160 | A | * | 11/1994 | Leuschen et al. | | 206/339 |
| 5,558,230 | A | * | 9/1996 | Fischer et al. | | 206/570 |
| D446,859 | S | * | 8/2001 | Hurson | | D24/156 |
| D556,907 | S | * | 12/2007 | Rassoli | | D24/156 |
| D562,454 | S | * | 2/2008 | Rassoli | | D24/156 |
| D587,371 | S | * | 2/2009 | Purga et al. | | D24/156 |

* cited by examiner

Primary Examiner — Susan Bennett Hattan

Assistant Examiner — Charles Hanson

(74) *Attorney, Agent, or Firm* — Plumsea Law Group, LLC

(57) **CLAIM**

The ornamental design for an interbody implant, as shown and described.

DESCRIPTION

FIG. 1 is a perspective view of an interbody implant showing an abutment only.

FIG. 2 is a front elevation view thereof. A rear elevation view is a mirror image of the front elevation view.

FIG. 3 is a left side elevation view thereof.

FIG. 4 is a right side elevation view thereof.

FIG. 5 is a top plan view thereof.

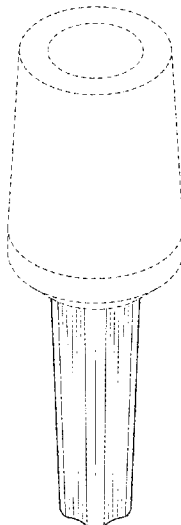
FIG. 6 is a bottom plan view thereof.

FIG. 7 is an enlarged cross-sectional view taken along 7-7 in FIG. 2.

FIG. 8 is a cross-sectional view taken along 8-8 in FIG. 6; and, FIG. 9 is a cross-sectional view taken along 9-9 in FIG. 6.

The portion of the interbody implant shown in broken lines is for the purpose of showing environmental structure only and forms no part of the claimed design.

1 Claim, 9 Drawing Sheets



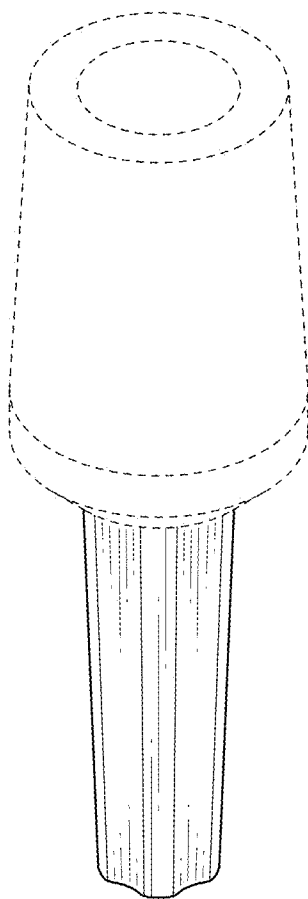


FIG. 1

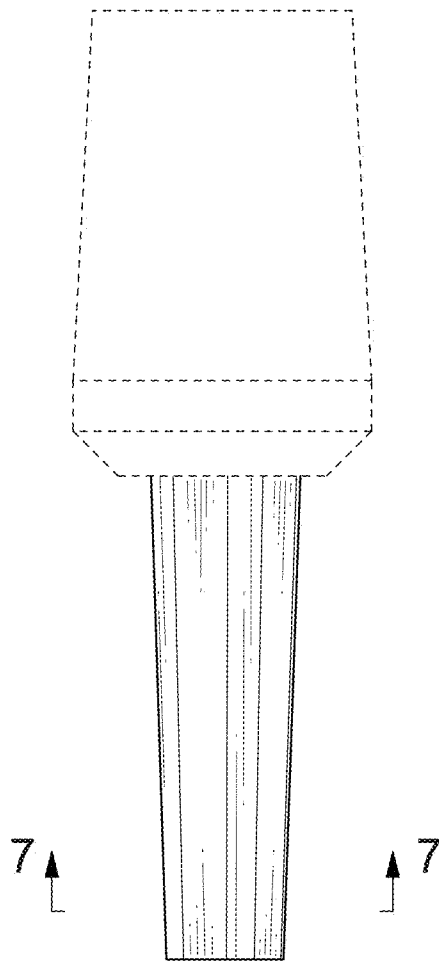


FIG. 2

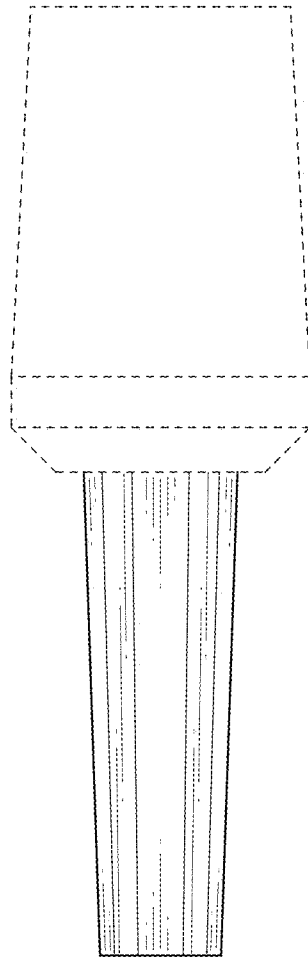


FIG. 3

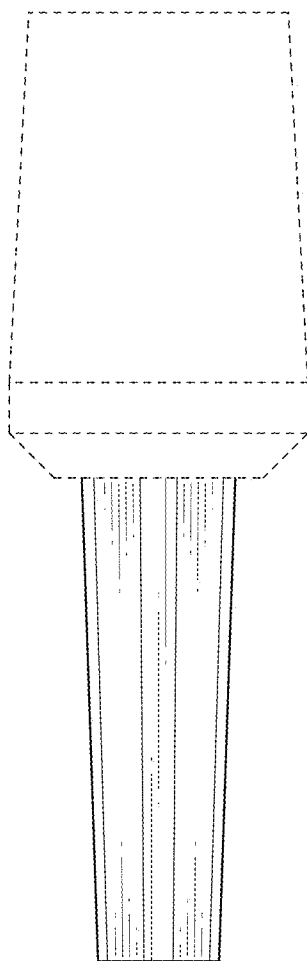


FIG. 4

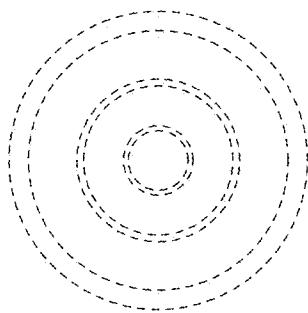


FIG. 5

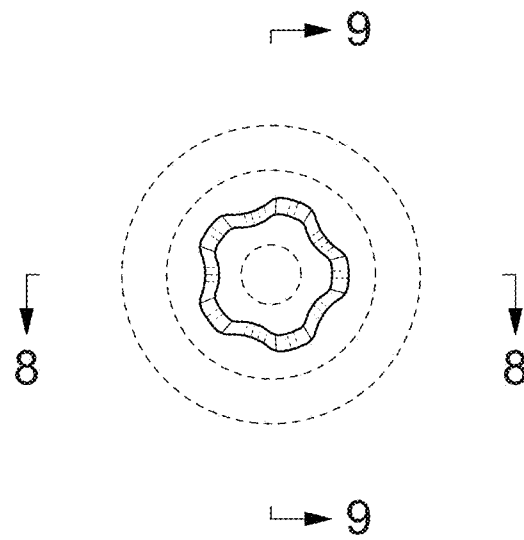


FIG. 6

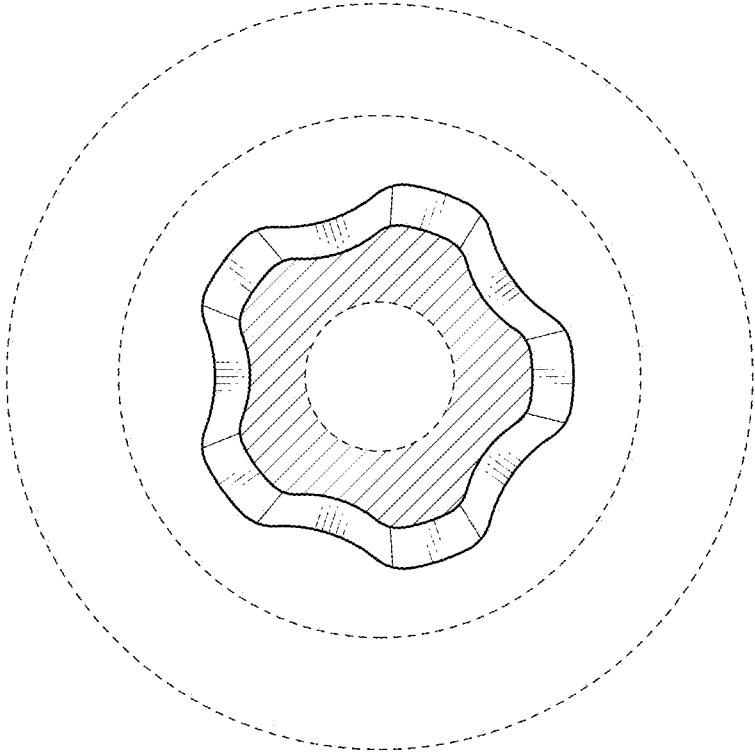


FIG. 7

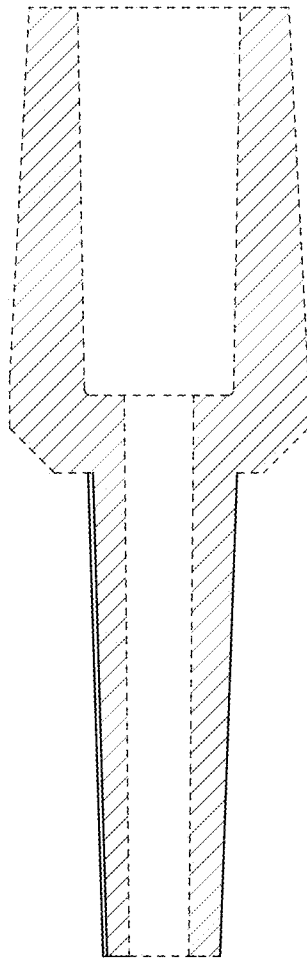


FIG. 8

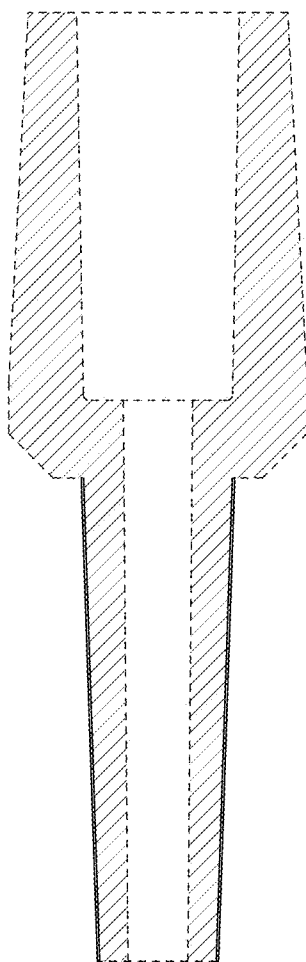


FIG. 9