



US0D1012103S

(12) **United States Design Patent**  
**Chaudhri et al.**

(10) **Patent No.:** **US D1,012,103 S**

(45) **Date of Patent:** **\*\* Jan. 23, 2024**

(54) **DISPLAY SCREEN OR PORTION THEREOF WITH ANIMATED GRAPHICAL USER INTERFACE**

D422,985 S 4/2000 Bright  
6,289,361 B1 9/2001 Uchida  
6,310,631 B1 10/2001 Cecco et al.  
D471,226 S 3/2003 Gray  
D582,930 S 12/2008 Blankenship et al.  
D586,821 S 2/2009 Koh

(Continued)

(71) Applicant: **Apple Inc.**, Cupertino, CA (US)

*Primary Examiner* — Daniel J Domino

(72) Inventors: **Imran Chaudhri**, San Francisco, CA (US); **Jonathan P. Ive**, San Francisco, CA (US)

(74) *Attorney, Agent, or Firm* — Sterne, Kessler, Goldstein & Fox P.L.L.C.

(73) Assignee: **Apple Inc.**, Cupertino, CA (US)

(\*\*) Term: **15 Years**

(21) Appl. No.: **29/825,787**

(57) **CLAIM**

(22) Filed: **Feb. 4, 2022**

The ornamental design for a display screen or portion thereof with animated graphical user interface, as shown and described.

**Related U.S. Application Data**

**DESCRIPTION**

(63) Continuation of application No. 29/719,262, filed on Jan. 2, 2020, now Pat. No. Des. 942,987, which is a continuation of application No. 29/584,961, filed on Nov. 18, 2016, now Pat. No. Des. 872,098, which is a continuation of application No. 29/476,967, filed on Dec. 18, 2013, now Pat. No. Des. 772,278.

FIG. 1 is a front view of a display screen or portion thereof with animated graphical user interface showing a first image of the claimed design;

(51) **LOC (14) Cl.** ..... **14-04**

FIG. 2 is a second image thereof;

(52) **U.S. Cl.**

FIG. 3 is a third image thereof;

USPC ..... **D14/485**

FIG. 4 is a fourth image thereof; and,

(58) **Field of Classification Search**

FIG. 5 is a fifth image thereof.

USPC ..... D14/485-495

CPC .... G06F 3/048; G06F 3/0481; G06F 3/04812; G06F 3/04815; G06F 3/04817; G06F 3/0482; G06F 3/0483; G06F 3/04842; G06F 3/04845; G06F 3/04847; G06F 3/0485; G06F 3/04855; G06F 3/0486; G06F 3/0487; G06F 3/0488; G06F 3/04883; G06F 3/04886

The outermost dashed broken lines in the figures show a display screen or portion thereof, and form no part of the claimed design. The other dashed broken lines in the figures show portions of the animated graphical user interface that form no part of the claimed design. The dot-dash broken lines in the figures and the areas within the dot-dash broken lines show portions of the animated graphical user interface that form no part of the claimed design.

See application file for complete search history.

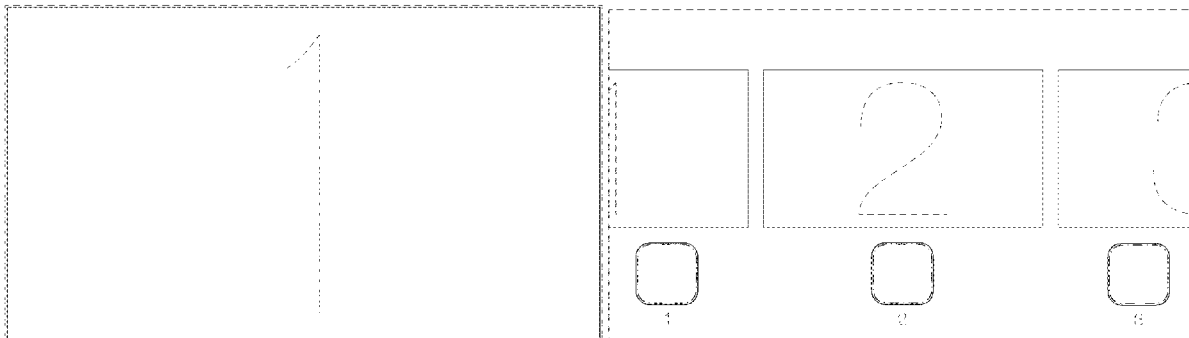
The appearance of the animated image sequentially transitions between the images shown in FIGS. 1-5. The process or period in which one image transitions to another forms no part of the claimed design.

(56) **References Cited**

**1 Claim, 5 Drawing Sheets**

**U.S. PATENT DOCUMENTS**

D402,645 S 12/1998 Garguilo  
6,011,550 A 1/2000 Capps et al.



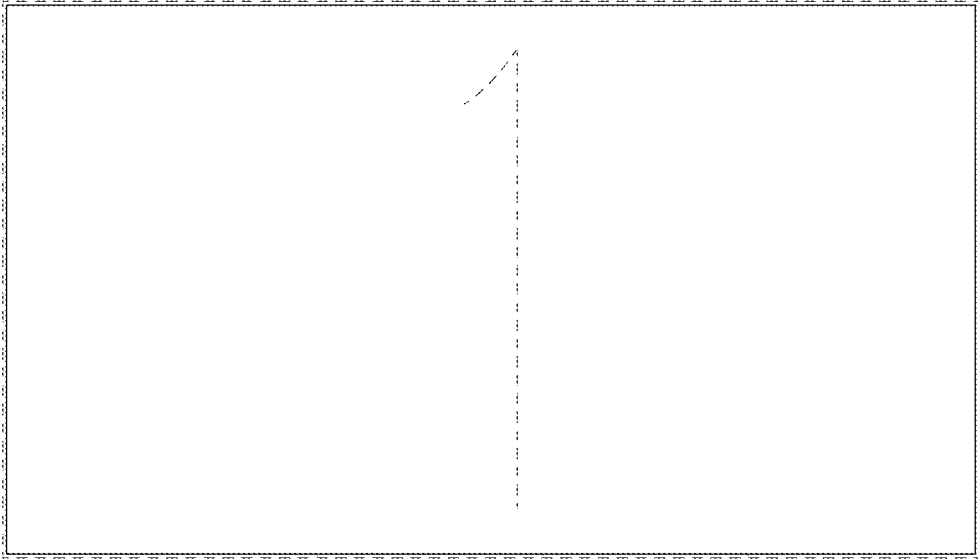
(56)

References Cited

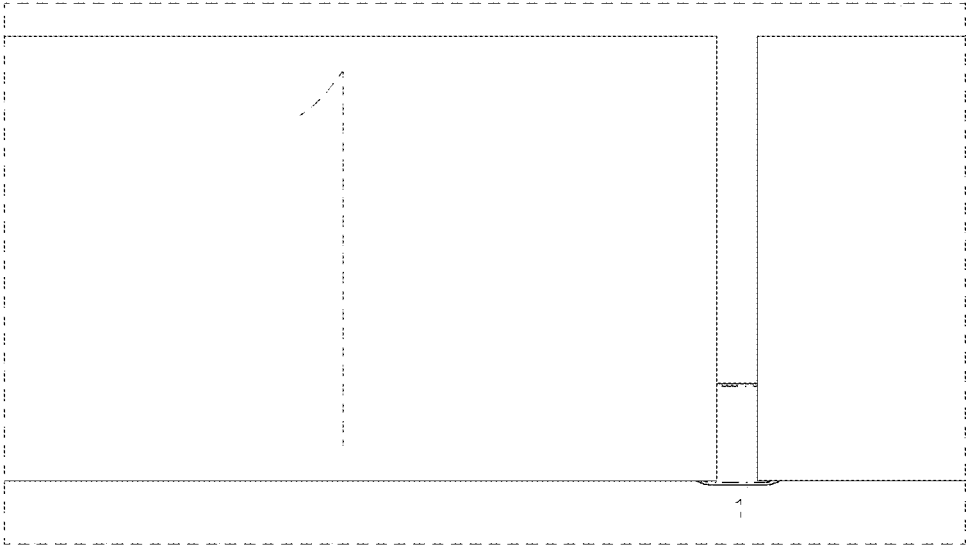
U.S. PATENT DOCUMENTS

|            |          |                       |                 |           |                           |
|------------|----------|-----------------------|-----------------|-----------|---------------------------|
| D608,368 S | 1/2010   | Bamford               | D716,825 S      | 11/2014   | Bachman et al.            |
| D613,300 S | 4/2010   | Chaudhri              | D717,316 S      | 11/2014   | Lee                       |
| D614,664 S | 4/2010   | Barcheck et al.       | D717,321 S      | 11/2014   | Lee                       |
| D616,450 S | 5/2010   | Simons et al.         | D717,322 S      | 11/2014   | Lee                       |
| D619,146 S | 7/2010   | Flik et al.           | D717,323 S      | 11/2014   | Lee                       |
| D623,057 S | 9/2010   | Kletz                 | D717,326 S      | 11/2014   | Kim                       |
| D624,927 S | 10/2010  | Allen et al.          | D718,780 S      | 12/2014   | Rajaraman et al.          |
| D624,928 S | 10/2010  | Agnetta et al.        | D718,781 S      | 12/2014   | Arnold et al.             |
| D624,932 S | 10/2010  | Chaudhri              | D720,764 S      | 1/2015    | Lee                       |
| D627,790 S | 11/2010  | Chaudhri              | D721,717 S      | 1/2015    | Endert                    |
| D633,918 S | 3/2011   | Vance et al.          | D721,721 S      | 1/2015    | Seung-Hyuck               |
| D636,400 S | 4/2011   | Vance et al.          | D721,722 S      | 1/2015    | Lee                       |
| D636,402 S | 4/2011   | Vance et al.          | D722,608 S      | 2/2015    | Donahue et al.            |
| D637,604 S | * 5/2011 | Brinda ..... D14/488  | D723,044 S      | 2/2015    | Park                      |
| D638,851 S | 5/2011   | Brinda                | D723,051 S      | 2/2015    | Park                      |
| D650,799 S | 12/2011  | Wantland et al.       | D724,609 S      | 3/2015    | Myung et al.              |
| D651,608 S | 1/2012   | Allen et al.          | D725,132 S      | 3/2015    | Jou                       |
| D651,609 S | * 1/2012 | Pearson ..... D14/486 | D725,136 S      | 3/2015    | Prajapati et al.          |
| D653,260 S | 1/2012   | Vance et al.          | D725,666 S      | 3/2015    | Tseng et al.              |
| D660,864 S | 5/2012   | Anzures et al.        | D725,668 S      | 3/2015    | Clare et al.              |
| D663,313 S | 7/2012   | David et al.          | D726,200 S      | 4/2015    | Yang et al.               |
| D664,974 S | 8/2012   | Gleasant et al.       | D726,751 S      | 4/2015    | Angelides                 |
| D667,020 S | 9/2012   | Mackenzie et al.      | D726,759 S      | 4/2015    | Brinda et al.             |
| D669,911 S | 10/2012  | Arnold et al.         | D738,394 S      | * 9/2015  | Chaudhri ..... D14/486    |
| D669,912 S | 10/2012  | Guss et al.           | D749,622 S      | * 2/2016  | Chaudhri ..... D14/488    |
| D670,725 S | 11/2012  | Mori et al.           | D766,308 S      | * 9/2016  | Park ..... D14/487        |
| D671,557 S | 11/2012  | Peters et al.         | D769,306 S      | * 10/2016 | Bowen ..... D14/488       |
| D682,288 S | 5/2013   | Donahue et al.        | D772,278 S      | * 11/2016 | Chaudhri ..... D14/487    |
| D682,307 S | 5/2013   | Donahue et al.        | D775,147 S      | 12/2016   | Chaudhri et al.           |
| D683,345 S | 5/2013   | Akana et al.          | D781,328 S      | * 3/2017  | Fong ..... D14/486        |
| D686,221 S | 7/2013   | Brinda et al.         | D784,376 S      | * 4/2017  | Tanaka ..... D14/486      |
| D688,676 S | 8/2013   | Okumura et al.        | D785,028 S      | * 4/2017  | Federighi ..... D14/486   |
| D690,320 S | 9/2013   | Frijlink et al.       | D789,396 S      | * 6/2017  | Alonso Ruiz ..... D14/488 |
| D701,228 S | 3/2014   | Lee                   | D789,960 S      | * 6/2017  | Alonso Ruiz ..... D14/488 |
| D701,527 S | 3/2014   | Brinda et al.         | D789,969 S      | * 6/2017  | Chaudhri ..... D14/486    |
| D701,872 S | 4/2014   | Liu et al.            | D815,143 S      | * 4/2018  | Lee ..... D14/488         |
| D704,211 S | 5/2014   | Agnew et al.          | D836,648 S      | * 12/2018 | Butcher ..... D14/485     |
| D705,248 S | 5/2014   | McCormack et al.      | D872,098 S      | * 1/2020  | Chaudhri ..... D14/485    |
| D706,803 S | 6/2014   | Rogowski et al.       | D882,621 S      | * 4/2020  | Anzures ..... D14/492     |
| D707,249 S | 6/2014   | Yamada                | D900,833 S      | * 11/2020 | Alonso Ruiz ..... D14/485 |
| D709,916 S | 7/2014   | Jang et al.           | D925,587 S      | * 7/2021  | Morris ..... D14/488      |
| D711,416 S | 8/2014   | Francisco et al.      | D942,987 S      | * 2/2022  | Chaudhri ..... D14/485    |
| D711,906 S | 8/2014   | Francisco et al.      | D944,280 S      | * 2/2022  | Underwood ..... D14/487   |
| D712,421 S | 9/2014   | Inose et al.          | D956,061 S      | * 6/2022  | Chaudhri ..... D14/485    |
| D712,914 S | 9/2014   | Lee et al.            | D957,421 S      | * 7/2022  | Anzures ..... D14/485     |
| D712,915 S | 9/2014   | Lee et al.            | D962,269 S      | * 8/2022  | Broughton ..... D14/488   |
| D712,916 S | 9/2014   | Lee et al.            | D969,829 S      | * 11/2022 | Holland ..... D14/485     |
| D712,917 S | 9/2014   | Lee et al.            | D980,231 S      | * 3/2023  | Evans ..... D14/485       |
| D713,413 S | 9/2014   | Lee et al.            | D993,976 S      | * 8/2023  | Christie ..... D14/485    |
| D713,414 S | 9/2014   | Lee et al.            | 2008/0189653 A1 | 8/2008    | Taylor et al.             |
| D713,415 S | 9/2014   | Lee et al.            | 2009/0313578 A1 | 12/2009   | Roh et al.                |
| D713,416 S | 9/2014   | Lee et al.            | 2010/0325568 A1 | 12/2010   | Pedersen et al.           |
| D715,315 S | 10/2014  | Wood                  | 2011/0138320 A1 | 6/2011    | Vronay et al.             |
| D715,316 S | 10/2014  | Hemeon et al.         | 2012/0023441 A1 | 1/2012    | Wu et al.                 |
| D716,334 S | 10/2014  | Lee et al.            | 2012/0151415 A1 | 6/2012    | Park et al.               |
|            |          |                       | 2013/0063380 A1 | 3/2013    | Wang et al.               |

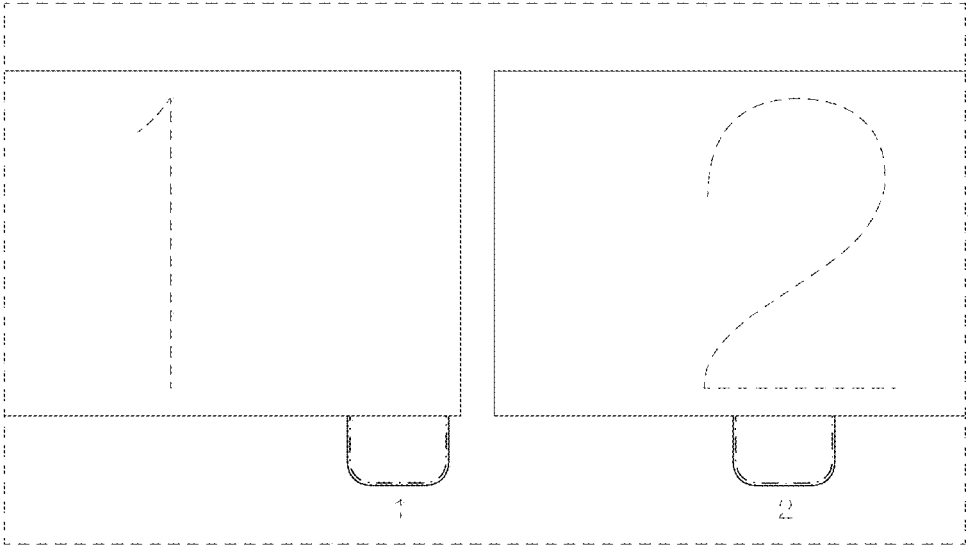
\* cited by examiner



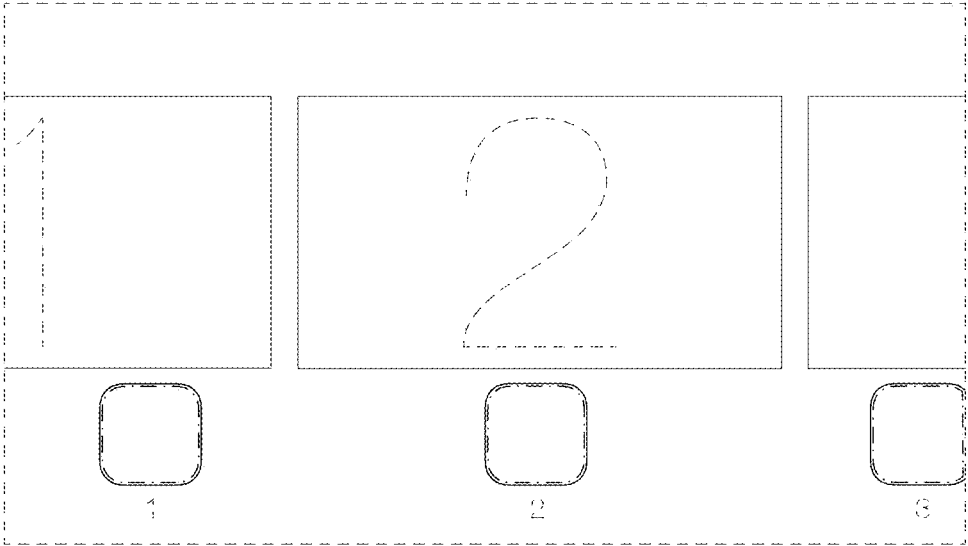
**FIG. 1**



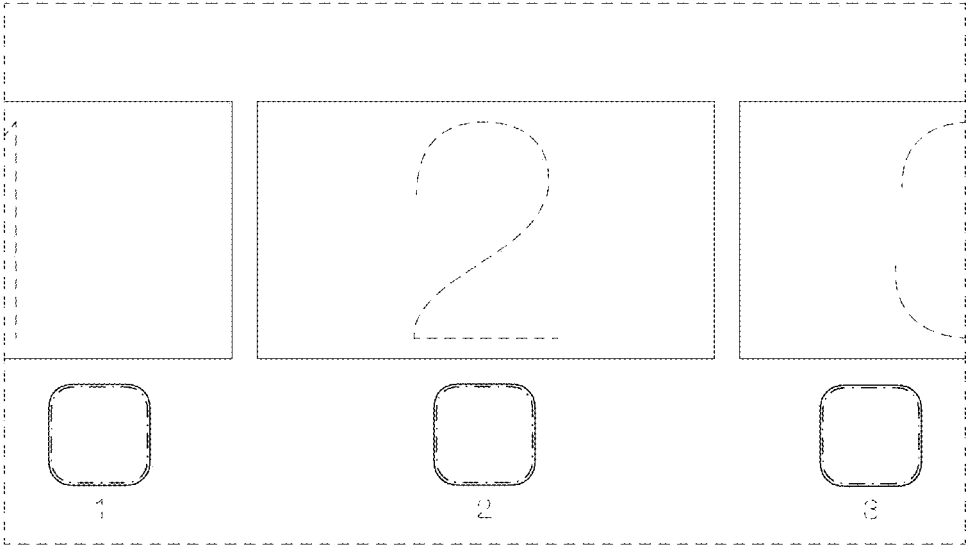
**FIG. 2**



**FIG. 3**



**FIG. 4**



**FIG. 5**