



(12) **United States Design Patent**
Fried

(10) **Patent No.:** **US D899,490 S**
(45) **Date of Patent:** **** Oct. 20, 2020**

(54) **SINGLE CAMERA MOUNT**
(71) Applicant: **Isaac Fried**, Toms River, NJ (US)
(72) Inventor: **Isaac Fried**, Toms River, NJ (US)
(**) Term: **15 Years**

D783,390 S * 4/2017 Nelson D8/382
D802,200 S * 11/2017 Sonneman D26/87
D818,026 S 5/2018 Ravat et al.
D824,446 S 7/2018 Li
D824,447 S 7/2018 Li
D825,638 S 8/2018 Holbrook

(Continued)

(21) Appl. No.: **29/737,580**
(22) Filed: **Jun. 10, 2020**
(51) **LOC (12) Cl.** **16-05**
(52) **U.S. Cl.**
USPC **D16/242**
(58) **Field of Classification Search**
USPC D16/237–250, 219; D14/224, 229, 238,
D14/251, 253, 447, 451, 457; D8/354,
D8/355, 363, 373, 382–383, 394–396;
D26/87, 92
CPC G03B 17/56; G03B 17/561–566; F16M
11/06–10; A45F 5/00; A45F 5/10
See application file for complete search history.

FOREIGN PATENT DOCUMENTS

CN 301433037 S 1/2011
CN 303521301 S 12/2015

OTHER PUBLICATIONS

Video Intercom Store, “Hik Wall mount DS-1273ZJ-140 DS-1273ZJ-PT6 For DS-2CD2385G1-1”, Ali Express, Store home, retrieved on Feb. 7, 2020, pp. 4.

(Continued)

Primary Examiner — Vy N Koenig
(74) *Attorney, Agent, or Firm* — Bochner IP; Andrew D. Bochner

(56) **References Cited**

U.S. PATENT DOCUMENTS

D73,831 S * 11/1927 Guth D26/92
D308,389 S 6/1990 Horn et al.
D345,099 S 3/1994 Oakes
D400,085 S 10/1998 Haskin
D445,819 S 7/2001 Backs et al.
D486,173 S 2/2004 Toste et al.
D495,590 S 9/2004 Goodman et al.
D574,992 S 8/2008 Citterio
D620,038 S 7/2010 Rix
D641,773 S 7/2011 Rix
D643,563 S * 8/2011 Gilad D26/87
D651,068 S 12/2011 Kang
9,057,934 B2 6/2015 Lellky et al.
D734,379 S 7/2015 Tankersley et al.
D744,321 S 12/2015 Boynton et al.
D745,374 S * 12/2015 Liu D8/355
D754,528 S * 4/2016 Fujioka D8/382
D781,688 S * 3/2017 Honein D8/363

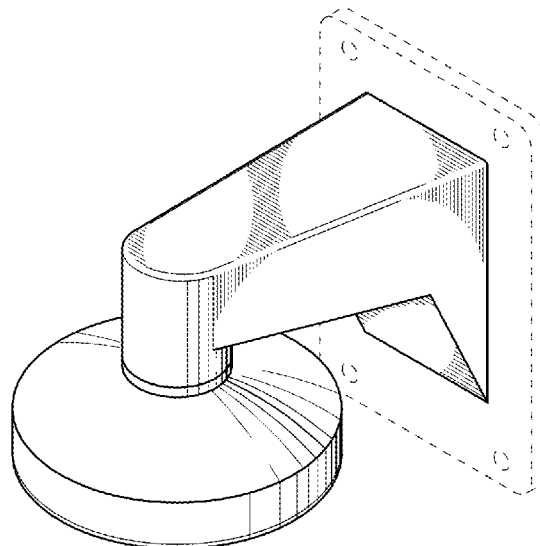
(57) **CLAIM**

The ornamental design for a single camera mount, as shown and described.

DESCRIPTION

FIG. 1 is a top, front, right perspective view of a single camera mount showing my new design;
FIG. 2 is a front elevation view thereof;
FIG. 3 is a rear elevation view thereof;
FIG. 4 is a left side elevation view thereof, the right side elevation view being a mirror image;
FIG. 5 is a top plan view thereof; and,
FIG. 6 is a bottom plan view thereof.
In the drawings, the broken lines are for the purpose of illustrating environment only, and form no part of the claimed design.

1 Claim, 2 Drawing Sheets



(56)

References Cited

U.S. PATENT DOCUMENTS

D826,457 S *	8/2018	Amato	D26/86
D831,875 S	10/2018	Sperling	
D841,076 S	2/2019	Wengreen	
D859,963 S *	9/2019	Hanley	D8/363
D873,887 S	1/2020	Rusz et al.	
D873,888 S	1/2020	Rusz et al.	
D873,897 S	1/2020	Wengreen	
D876,528 S	2/2020	Schreder	
D877,961 S	3/2020	Eads et al.	
D893,082 S *	8/2020	Amato	D26/87
D893,284 S *	8/2020	Hanley	D8/354

OTHER PUBLICATIONS

Hikvision, "Wall mount for dome camera, DS-1473ZJ-155B, 01000010701113", feature, dimension, retrieved on Feb. 7, 2020, pp. 1, available at: <https://www.hikvision.com/en/products/Accessories/CCTV-Accessories/Bracket/ds-1473zj-155b/>.

Stardot Technologies, "Stream H.264, M-JPEG and Analog", View a demo, where to buy, overview, retrieved on Feb. 7, 2020, pp. 1, available at: <http://www.stardot.com/products/stardot-netcam-sc-h264-panoramic-180-vandal-resistant-dome-camera>.

ApexCCTV, "InvidTech IUM-DRWM2 Ultra Series Large Dome Camera Wall Mount #2", security for your home, retrieved on Feb. 7, 2020, pp. 7, available at: <https://www.apexcctv.com/invid-tech-ium-drwm2-ultra-series-large-dome-camera-wall-mount-2/>.

Innovative Video Technology, "IUM-DIWM1: Junction Box", Invid Tech, Ultra Series, Dome Wall Mount #1, Empire Theme by Pixel Union, retrieved on Feb. 7, 2020, pp. 2, available at: <https://invidtech.com/collections/mounts/products/ium-diwm1-junction-box>.

Hikvision, "120 wall mounting bracket for mini dome camera", DS-1272ZJ-120, feature, order model, retrieved on Feb. 7, 2020, pp. 1, available at: <https://www.hikvision.com/en/products/Accessories/CCTV-Accessories/Bracket/DS-1272ZJ-120/>.

Hikvision, "Wall mount", 0100001080106, DS-1273ZJ-130-TRL, retrieved on Feb. 7, 2020, pp. 1, available at: <https://www.hikvision.com/en/products/Accessories/CCTV-Accessories/Bracket/DS-1273ZJ-130-TRL/>.

* cited by examiner

FIG. 1

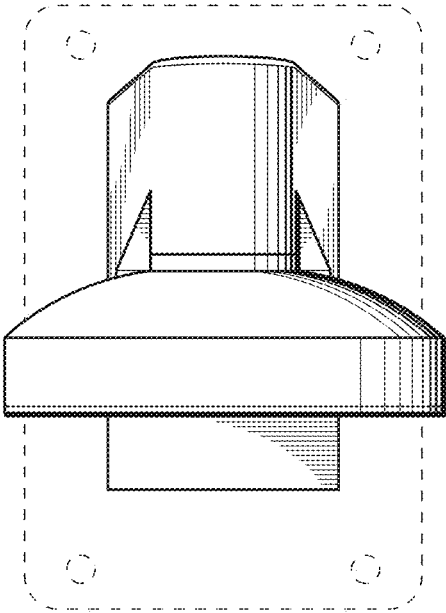
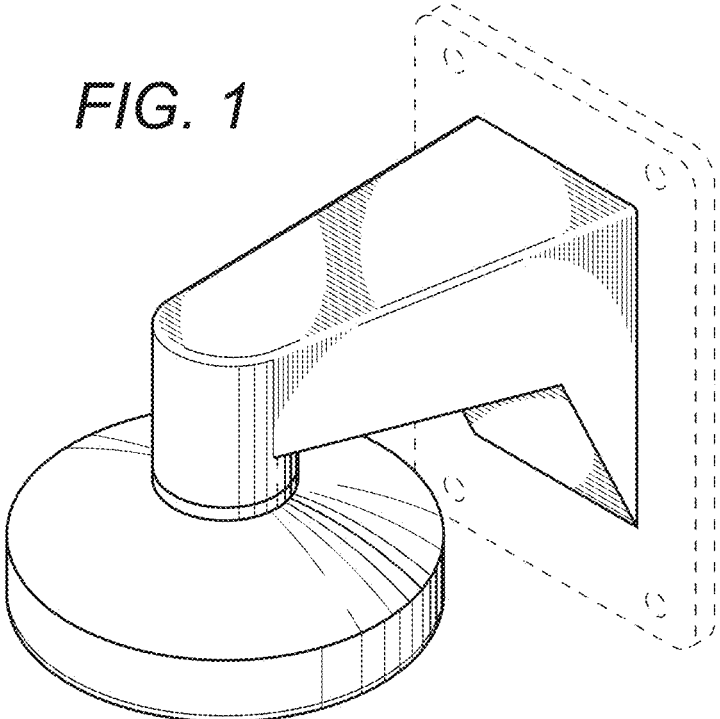


FIG. 2

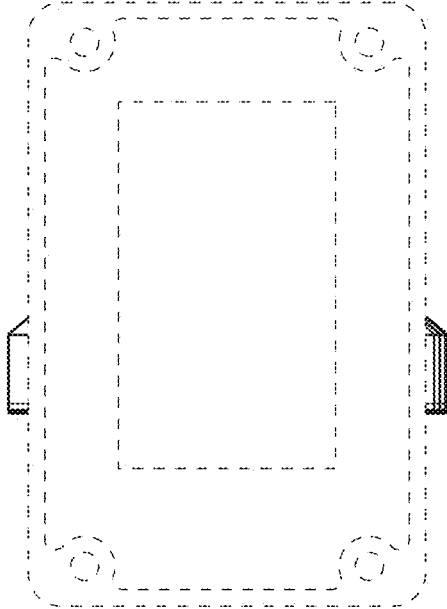


FIG. 3

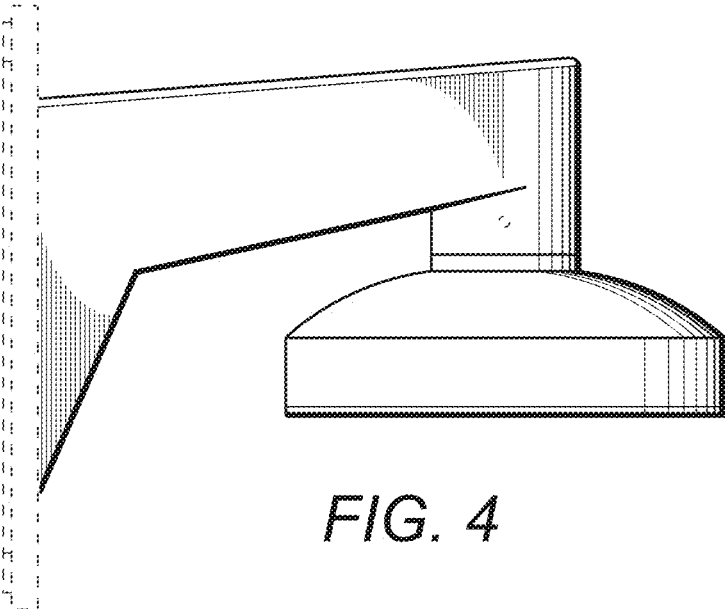


FIG. 4

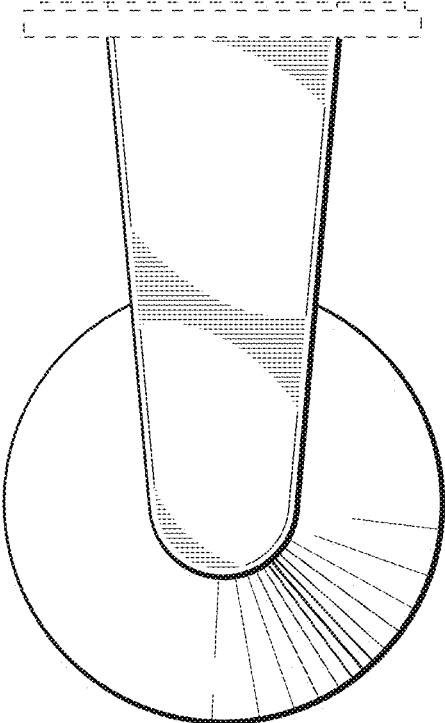


FIG. 5

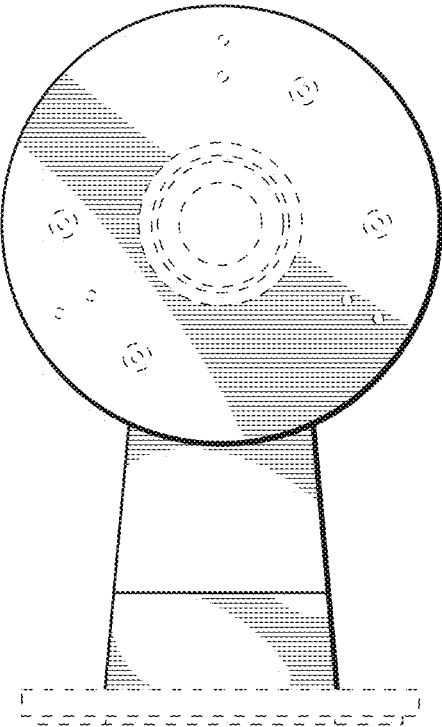


FIG. 6