



US00D677076S

(12) **United States Design Patent**  
**Olson**

(10) **Patent No.:** **US D677,076 S**

(45) **Date of Patent:** **\*\* \*Mar. 5, 2013**

(54) **MODULAR CUBE**

(76) Inventor: **John G. Olson**, West Fork, AR (US)

(\* ) Notice: This patent is subject to a terminal disclaimer.

(\*\*) Term: **14 Years**

(21) Appl. No.: **29/379,667**

(22) Filed: **Nov. 23, 2010**

(51) **LOC (9) Cl.** ..... **06-07**

(52) **U.S. Cl.** ..... **D6/449**

(58) **Field of Classification Search** ..... D6/449,

D6/350, 336, 448, 349, 446, 397, 396, 329,  
D6/480, 405; D14/128; D21/475, 686; 273/153 R,  
273/441, 153; 434/319; D19/77, 62; D32/37;  
297/440.14; D7/629; 206/214, 224, 233

See application file for complete search history.

(56) **References Cited**

**U.S. PATENT DOCUMENTS**

D90,823 S *	10/1933	Venerose .....	D6/350
D151,983 S *	12/1948	Guertin .....	D6/336
D250,235 S *	11/1978	Chervenak .....	D6/448
D257,773 S *	1/1981	Loper et al. ....	D14/128
D274,676 S *	7/1984	Massonnet .....	D6/349
D391,999 S *	3/1998	Chininis .....	D21/475
D460,637 S *	7/2002	Grosfillex .....	D6/446
D461,972 S *	8/2002	Everett .....	D6/448
D465,348 S *	11/2002	Lucatello .....	D6/396
D479,058 S *	9/2003	Walker .....	D6/448
D481,222 S *	10/2003	Tsai .....	D6/448
D490,616 S *	6/2004	Ljahnicky et al. ....	D6/329
6,792,709 B1 *	9/2004	Fine et al. ....	40/720

D502,022 S *	2/2005	Jirele .....	D6/396
D527,424 S *	8/2006	Long .....	D19/77
D563,692 S *	3/2008	DeCarlo et al. ....	D6/448
D569,440 S *	5/2008	Rotta .....	D19/62
D610,818 S *	3/2010	Crane .....	D6/349
D615,778 S *	5/2010	Schultz .....	D6/480
D625,116 S *	10/2010	Willner .....	D6/349
D625,478 S *	10/2010	Cittadino et al. ....	D32/37
D627,013 S *	11/2010	Nys .....	D21/686
D628,408 S *	12/2010	Schultz .....	D6/480
D637,833 S *	5/2011	Russell .....	D6/405
D641,594 S *	7/2011	Huang .....	D7/629
2001/0035606 A1 *	11/2001	Schoen .....	273/153 R
2002/0034718 A1 *	3/2002	Dunn et al. ....	434/319
2002/0175472 A1 *	11/2002	Boeru .....	273/441
2004/0226210 A1 *	11/2004	Kaur .....	40/725
2007/0052276 A1 *	3/2007	Hurvich .....	297/440.14
2012/0248696 A1 *	10/2012	Wu .....	273/153 S

\* cited by examiner

*Primary Examiner* — Philip S Hyder

*Assistant Examiner* — Sydney Buffalow

(74) *Attorney, Agent, or Firm* — Mark Murphey Henry

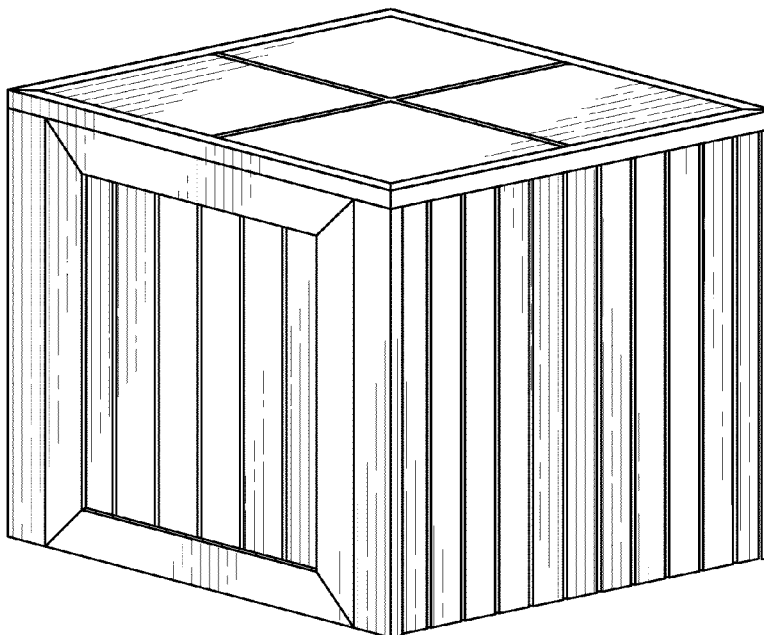
(57) **CLAIM**

The ornamental design for a modular cube, as shown and described.

**DESCRIPTION**

FIG. 1 is a perspective view of the modular cube.  
FIG. 2 is a front view of the modular cube.  
FIG. 3 is a back view of the modular cube.  
FIG. 4 is a side view of the modular cube; and,  
FIG. 5 is a top view of the modular cube.

**1 Claim, 3 Drawing Sheets**



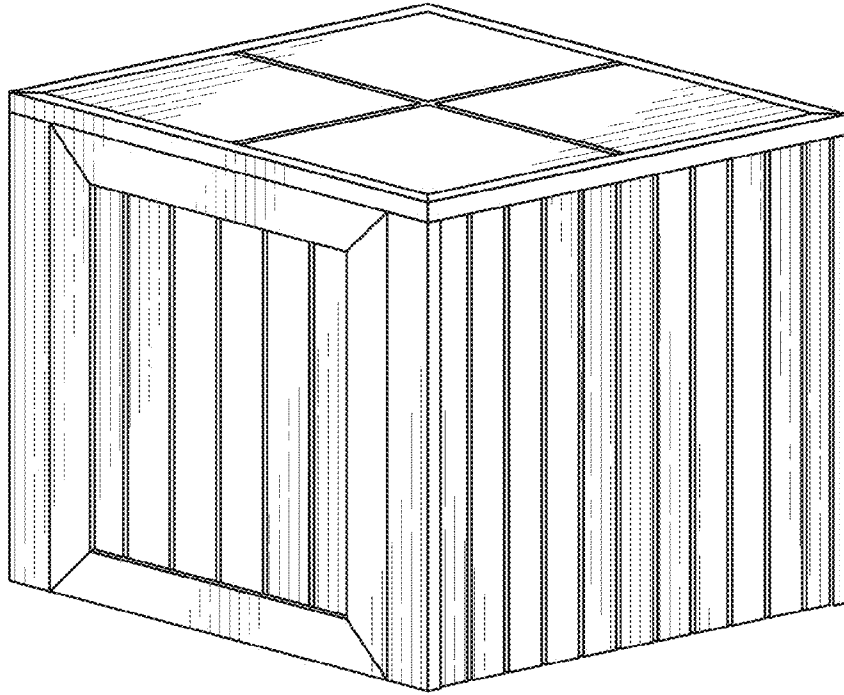


FIG. 1

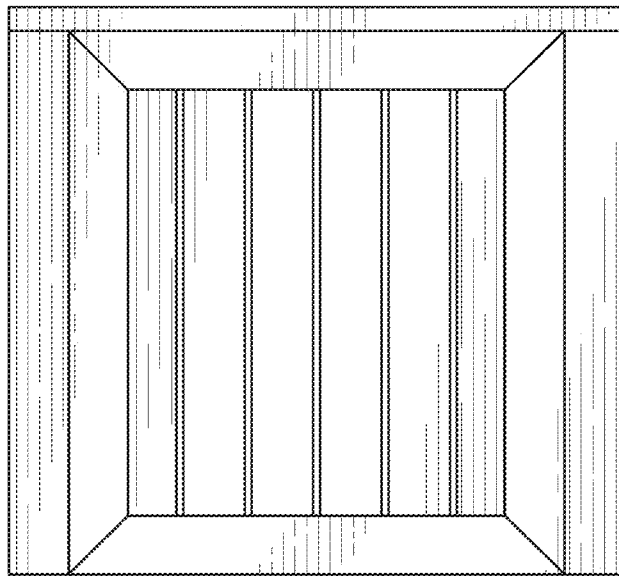
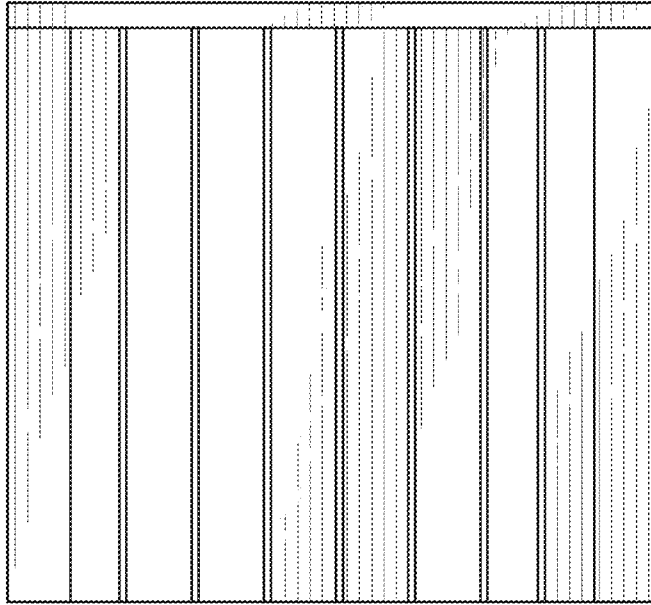
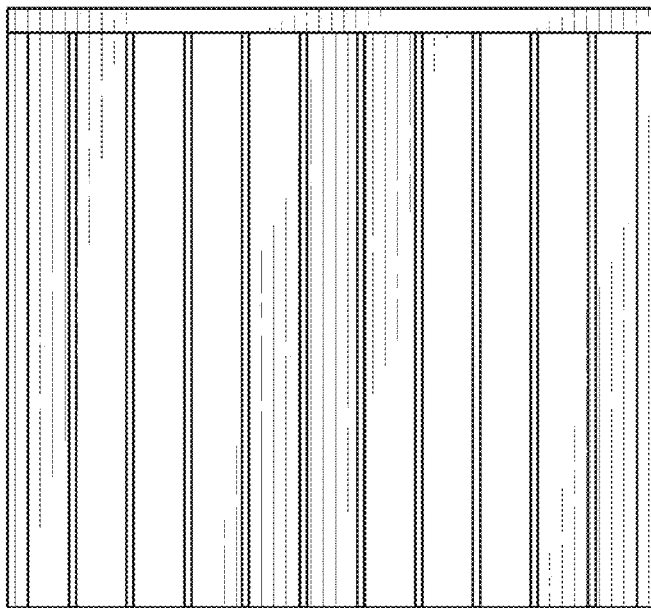


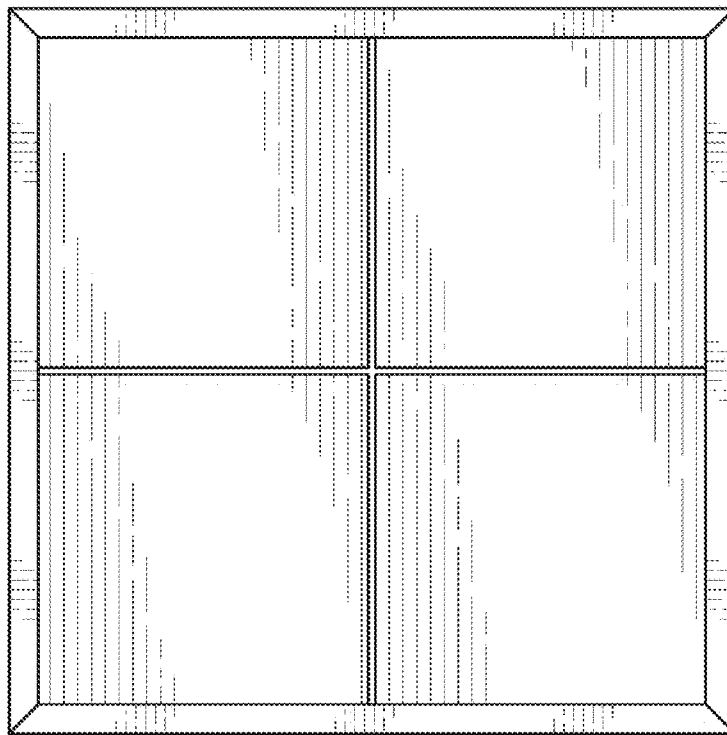
FIG. 2



**FIG. 3**



**FIG. 4**



**FIG. 5**