



US00D436151S

(12) **United States Design Patent**  
Nicolette et al.

(10) **Patent No.:** **US D436,151 S**

(45) **Date of Patent:** **\*\* Jan. 9, 2001**

(54) **HOSEL FOR A GOLF PUTTER HEAD**

3,061,310 \* 10/1962 Giza ..... 473/340  
3,819,180 \* 6/1974 Murphy ..... 473/251

(75) Inventors: **Michael R. Nicolette**, Cave Creek; **Lou C. Beebe**, Phoenix; **John K. Solheim**, Phoenix; **Michael J. Nelson**, Phoenix; **Douglas W. Anderson**, Glandale, all of AZ (US)

\* cited by examiner

*Primary Examiner*—Mitchell Siegel  
(74) *Attorney, Agent, or Firm*—Darrell F. Marquette

(73) Assignee: **Karsten Manufacturing Corporation**, Phoenix, AZ (US)

(57) **CLAIM**

The ornamental design for a hosel for a golf putter head, as shown and described.

(\*\*) Term: **14 Years**

**DESCRIPTION**

(21) Appl. No.: **29/117,643**

FIG. 1 is a perspective view of a hosel for a golf putter head of our new design;

(22) Filed: **Jan. 28, 2000**

FIG. 2 is a rear elevational view of the hosel shown in FIG. 1;

(51) **LOC (7) Cl.** ..... **21-02**

(52) **U.S. Cl.** ..... **D21/759**

(58) **Field of Search** ..... D21/736-746,  
D21/753, 759; 473/324, 305, 251-256,  
340, 341

FIG. 3 is an end view of the hosel shown in FIG. 1;

FIG. 4 is a top plan view of the hosel shown in FIG. 1;

FIG. 5 is a front elevational view of the hosel shown in FIG. 1;

FIG. 6 is another end view of the hosel shown in FIG. 1; and,  
FIG. 7 is a bottom view of the hosel shown in FIG. 1.

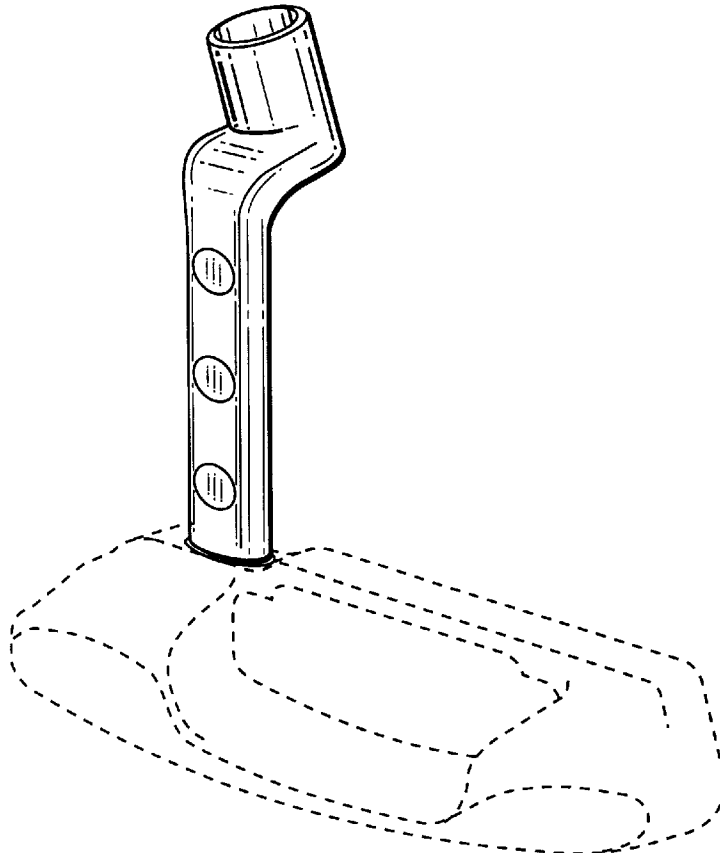
The broken line showing of a golf putter head in FIGS. 1-7 is for illustrative purposes only and forms no part of the claimed design.

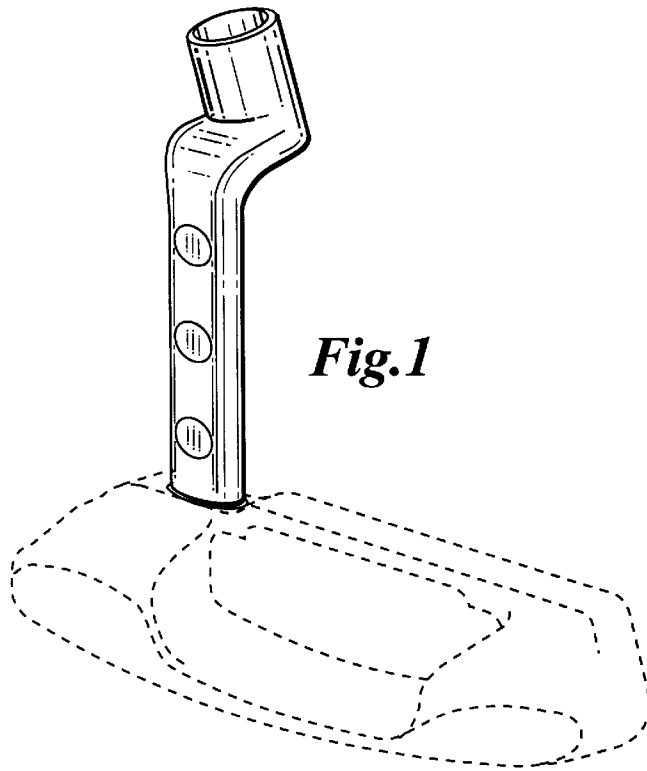
(56) **References Cited**

**U.S. PATENT DOCUMENTS**

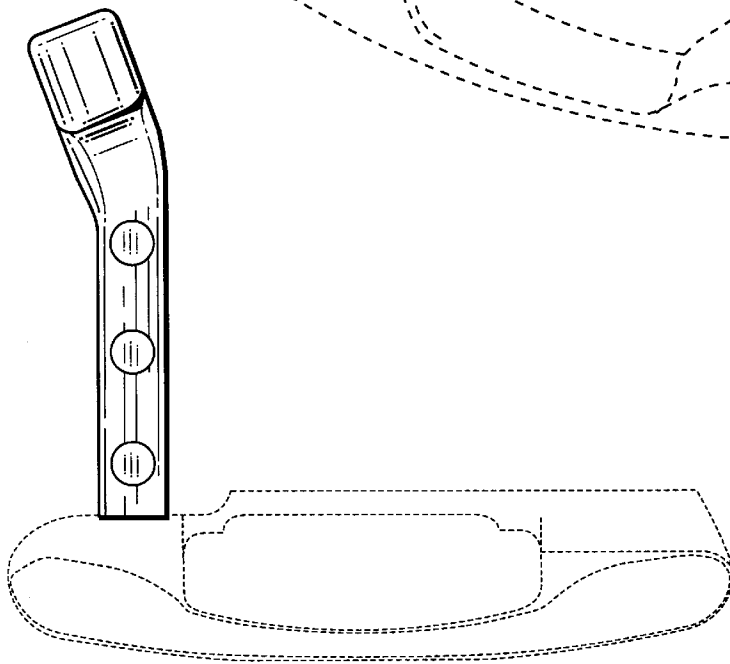
Re. 19,178 \* 5/1934 Spiker ..... 473/340  
D. 307,043 \* 4/1990 Werner ..... D21/743  
D. 356,131 \* 3/1995 Trimble ..... D21/736

**1 Claim, 2 Drawing Sheets**

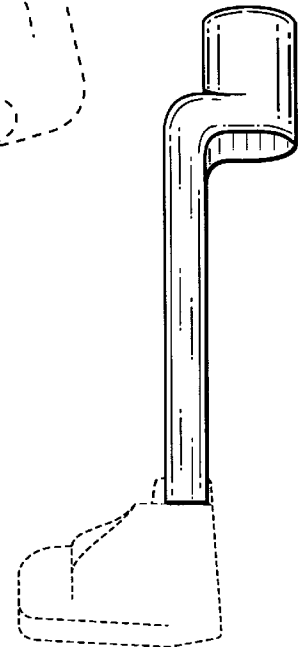




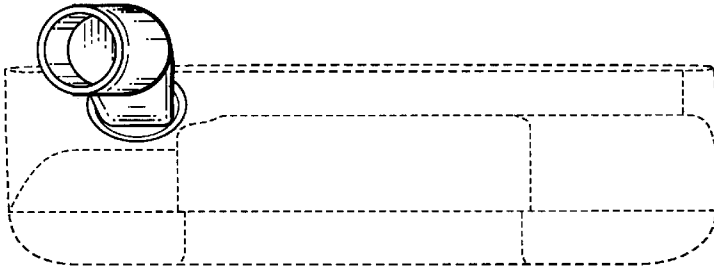
*Fig.1*



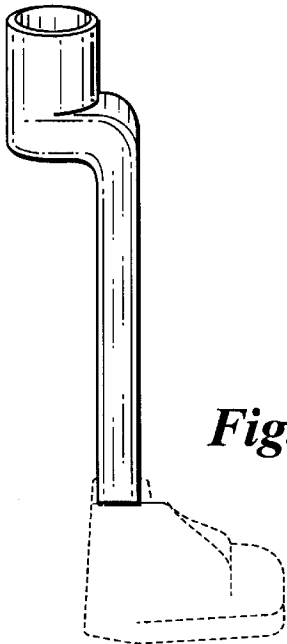
*Fig.2*



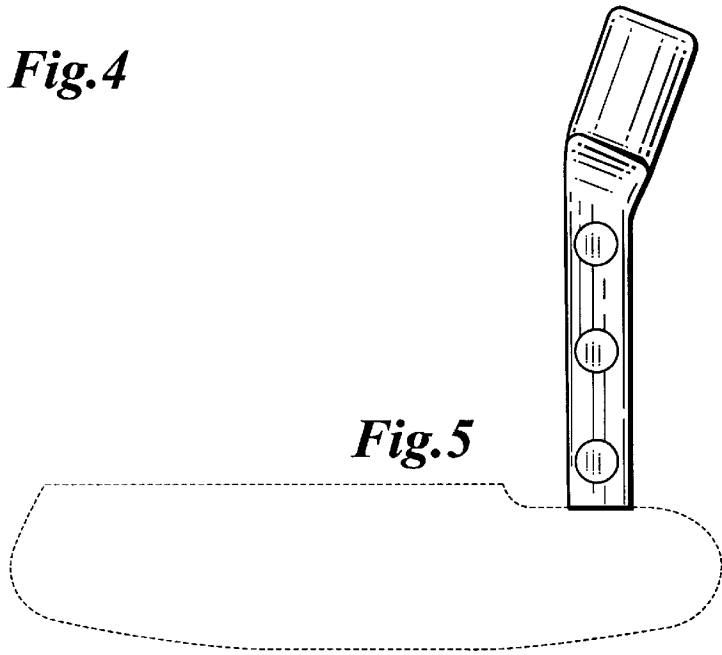
*Fig.3*



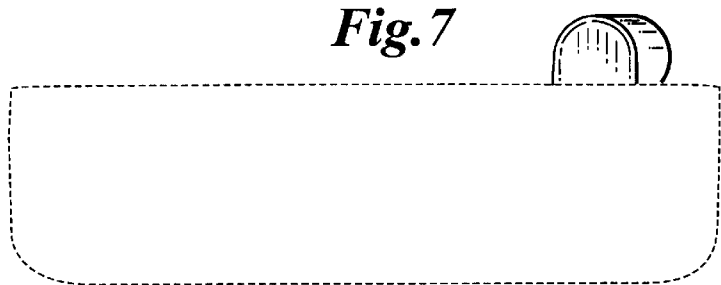
*Fig. 4*



*Fig. 6*



*Fig. 5*



*Fig. 7*