

(19) World Intellectual Property Organization
International Bureau



(43) International Publication Date
4 January 2007 (04.01.2007)

PCT

(10) International Publication Number
WO 2007/001486 A3

(51) International Patent Classification:
B65H 1/00 (2006.01) C23C 14/50 (2006.01)

(74) Agents: PEACOCK, Bruce et al.; WEGMAN, HESSLER & VANDERBURG, Suite 200, 6055 Rockside Woods Boulevard, Cleveland, Ohio 44131 (US).

(21) International Application Number:
PCT/US2006/001723

(81) Designated States (unless otherwise indicated, for every kind of national protection available): AE, AG, AL, AM, AT, AU, AZ, BA, BB, BG, BR, BW, BY, BZ, CA, CH, CN, CO, CR, CU, CZ, DE, DK, DM, DZ, EC, EE, EG, ES, FI, GB, GD, GE, GH, GM, HR, HU, ID, IL, IN, IS, JP, KE, KG, KM, KN, KP, KR, KZ, LC, LK, LR, LS, LT, LU, LV, LY, MA, MD, MG, MK, MN, MW, MX, MZ, NA, NG, NI, NO, NZ, OM, PG, PH, PL, PT, RO, RU, SC, SD, SE, SG, SK, SL, SM, SY, TJ, TM, TN, TR, TT, TZ, UA, UG, US, UZ, VC, VN, YU, ZA, ZM, ZW.

(22) International Filing Date: 18 January 2006 (18.01.2006)

(25) Filing Language: English

(26) Publication Language: English

(30) Priority Data:
60/644,929 19 January 2005 (19.01.2005) US

(71) Applicant (for all designated States except US): TOSOH SMD ETNA, LLC [US/US]; 3600 Gantz Road, Grove City, Ohio 43123-1895 (US).

(84) Designated States (unless otherwise indicated, for every kind of regional protection available): ARIPO (BW, GH, GM, KE, LS, MW, MZ, NA, SD, SL, SZ, TZ, UG, ZM, ZW), Eurasian (AM, AZ, BY, KG, KZ, MD, RU, TJ, TM), European (AT, BE, BG, CH, CY, CZ, DE, DK, EE, ES, FI, FR, GB, GR, HU, IE, IS, IT, LT, LU, LV, MC, NL, PL, PT, RO, SE, SI, SK, TR), OAPI (BF, BJ, CF, CG, CI, CM, GA, GN, GQ, GW, ML, MR, NE, SN, TD, TG).

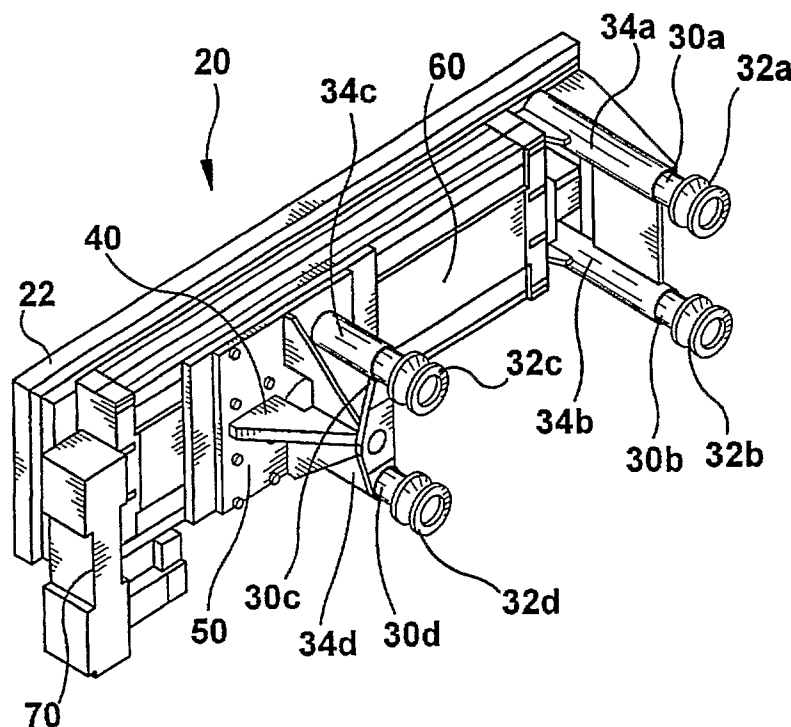
(72) Inventors; and

(75) Inventors/Applicants (for US only): REED, Wiley, Zane [US/US]; 100 West Red For Trail, Greenville, SC 29615 (US). COSPER, Bobby, R. [US/US]; 8741 Highway 301, Trenton, GA 30752 (US). SCHMIDT, Kenneth, G. [US/US]; 330 Driftwood Drive, Piedmont, SC 29673 (US). BULTZ, Neil, D. [US/US]; 135 Sylvan Way, Greenville, SC 29605 (US). NOZICKA, David, M. [US/US]; 15428 140th Street, Wellsburg, Iowa 50680 (US).

Published:
— with international search report

[Continued on next page]

(54) Title: END EFFECTOR FOR HANDLING SPUTTERING TARGETS



(57) Abstract: A fixture (20) and method is provided for gripping an article, such as a sputtering target. The fixture (20) comprises a base (22), a first set of contact rollers (32a, 32b), and a second set of contact rollers (32c, 32d), wherein at least one of the first (32a, 32b) and the second set (32c, 32d) are adjustably positioned relative to the other of the first (32a, 32b) and the second set on the base (32c, 32d). The contact rollers (32a-32d) can be configured as v-grooved wheels that will only touch chamfered portions of an outer diameter of the sputtering target when the contact rollers (32a-32d) are clamped against the sputtering target. At least one of the first set and the second set of contact rollers (32a-32d) can be pivotally mounted on a slide (40), with the slide (40) being adjustably positioned on the base (22) of the fixture (20).

WO 2007/001486 A3



— *before the expiration of the time limit for amending the claims and to be republished in the event of receipt of amendments*

For two-letter codes and other abbreviations, refer to the "Guidance Notes on Codes and Abbreviations" appearing at the beginning of each regular issue of the PCT Gazette.

(88) Date of publication of the international search report:

4 October 2007

INTERNATIONAL SEARCH REPORT

International application No.

PCT/US06/01723

A. CLASSIFICATION OF SUBJECT MATTER
 IPC: **B65H 1/00(2006.01);C23C 14/50(2006.01)**

 USPC: 414/222.01,222.05;118/500,503;204/298.15,298.23
 According to International Patent Classification (IPC) or to both national classification and IPC

B. FIELDS SEARCHED
 Minimum documentation searched (classification system followed by classification symbols)
 U.S. : 414/222.01, 222.05; 118/500, 503; 204/298.15, 298.23

Documentation searched other than minimum documentation to the extent that such documents are included in the fields searched
 NONE

Electronic data base consulted during the international search (name of data base and, where practicable, search terms used)
 NONE

C. DOCUMENTS CONSIDERED TO BE RELEVANT

Category *	Citation of document, with indication, where appropriate, of the relevant passages	Relevant to claim No.
X --- A	USPGPUB (MURRAY et al) 17 April 2003 (17.04.2003), Figs. 1, 2; Page 3 paragraphs 0025-0028, paragraph 0037.	1, 3 ----- 2, 4-20
A	US 4,892,455 A (HINE) 09 January 1990 (09.01.1990), Abstract; Figs. 1-3.	1-20
A	US 6,652,216 B1 (ASTEGNO et al) 25 November 2003 (25.11.2003), Fig. 2; Column 6 lines 49-68; Column 7 lines 1-34.	1-20

Further documents are listed in the continuation of Box C. See patent family annex.

* Special categories of cited documents:		
"A" document defining the general state of the art which is not considered to be of particular relevance	"T"	later document published after the international filing date or priority date and not in conflict with the application but cited to understand the principle or theory underlying the invention
"E" earlier application or patent published on or after the international filing date	"X"	document of particular relevance; the claimed invention cannot be considered novel or cannot be considered to involve an inventive step when the document is taken alone
"L" document which may throw doubts on priority claim(s) or which is cited to establish the publication date of another citation or other special reason (as specified)	"Y"	document of particular relevance; the claimed invention cannot be considered to involve an inventive step when the document is combined with one or more other such documents, such combination being obvious to a person skilled in the art
"O" document referring to an oral disclosure, use, exhibition or other means	"&"	document member of the same patent family
"P" document published prior to the international filing date but later than the priority date claimed		

Date of the actual completion of the international search 13 June 2007 (13.06.2007)	Date of mailing of the international search report 02 AUG 2007
Name and mailing address of the ISA/US Mail Stop PCT, Attn: ISA/US Commissioner for Patents P.O. Box 1450 Alexandria, Virginia 22313-1450 Facsimile No. (571) 273-3201	Authorized officer Rodney G. McDonald Telephone No. 571-272-1300 <i>Rodney G. McDonald</i> RODNEY G. MCDONALD PRIMARY EXAMINER