

(19) World Intellectual Property Organization
International Bureau



(43) International Publication Date
12 September 2002 (12.09.2002)

PCT

(10) International Publication Number
WO 02/069825 A3

(51) International Patent Classification?: **A61B 18/20**,
18/18

(21) International Application Number: PCT/US02/05689

(22) International Filing Date: 22 February 2002 (22.02.2002)

(25) Filing Language: English

(26) Publication Language: English

(30) Priority Data:
60/272,745 2 March 2001 (02.03.2001) US

(71) Applicant: **PALOMAR MEDICAL TECHNOLOGIES, INC.** [US/US]; 82 Cambridge Street, Burlington, MA 01803 (US).

(72) Inventors: **ALTSHULER, Gregory, B.**; 8R Fairbanks Road, Wilmington, MA 01887 (US). **INOCHKIN,**

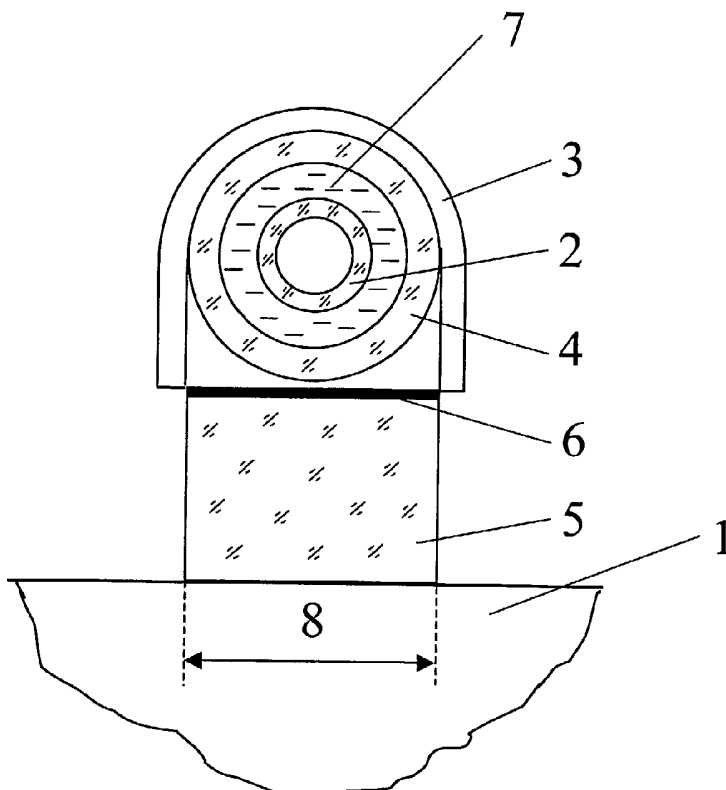
Mikhail; Kronverskiy pr. 73/39, Apt. 29, St Petersburg, 197198 (RU). **KHRAMOV, Valery, Yu.**; 21/1 Kultury prospekt, Apt. 228, St. Petersburg 195276 (RU). **BIRUCHINSKY, Sergey, B.**; 200/4 Moskovsky Prospekt, Apt. 94, St. Petersburg, 196135 (RU). **EROFEEV, Andre**; 38 Royal Crest Drive #7, North Andover, MA 01845 (US). **BELIKOV, Andre, V.**; 141/86 Naradnogo Opolcheniya Ave., St. Petersburg 198217 (RU).

(74) Agent: **LANDO, Peter, C.**; Wolf, Greenfield & Sacks, P.C., 600 Atlantic Avenue, Boston, MA 02210 (US).

(81) Designated States (*national*): AE, AG, AL, AM, AT, AU, AZ, BA, BB, BG, BR, BY, BZ, CA, CH, CN, CO, CR, CU, CZ, DE, DK, DM, DZ, EC, EE, ES, FI, GB, GD, GE, GH, GM, HR, HU, ID, IL, IN, IS, JP, KE, KG, KP, KR, KZ, LC, LK, LR, LS, LT, LU, LV, MA, MD, MG, MK, MN, MW, MX, MZ, NO, NZ, OM, PH, PL, PT, RO, RU, SD, SE, SG, SI, SK, SL, TJ, TM, TN, TR, TT, TZ, UA, UG, UZ, VN, YU, ZA, ZW.

[Continued on next page]

(54) Title: APPARATUS AND METHOD FOR PHOTOCOSMETIC AND PHOTODERMATOLOGICAL TREATMENT



(57) Abstract: This invention relates to apparatus for using a lamp for treatment of a patient's skin, which lamp is more efficient than prior such devices and to methods of using lamps for various skin treatments. The apparatus improves efficiency by minimizing photon leakage and by other enhancements. The invention also includes various enhancements to waveguides used for optical treatment on a patient's skin.



WO 02/069825 A3



(84) Designated States (regional): ARIPO patent (GH, GM, KE, LS, MW, MZ, SD, SL, SZ, TZ, UG, ZM, ZW), Eurasian patent (AM, AZ, BY, KG, KZ, MD, RU, TJ, TM), European patent (AT, BE, CH, CY, DE, DK, ES, FI, FR, GB, GR, IE, IT, LU, MC, NL, PT, SE, TR), OAPI patent (BF, BJ, CF, CG, CI, CM, GA, GN, GQ, GW, ML, MR, NE, SN, TD, TG).

(88) Date of publication of the international search report:
6 February 2003

For two-letter codes and other abbreviations, refer to the "Guidance Notes on Codes and Abbreviations" appearing at the beginning of each regular issue of the PCT Gazette.

Published:

— *with international search report*

INTERNATIONAL SEARCH REPORT

International Application No
PCT/US 02/05689

C.(Continuation) DOCUMENTS CONSIDERED TO BE RELEVANT		
Category °	Citation of document, with indication, where appropriate, of the relevant passages	Relevant to claim No.
X A	WO 00 74781 A (CLEMENT ROBERT MARC ;KIERNAN MICHAEL NOEL (GB); SLS BIOPHILE LTD () 14 December 2000 (2000-12-14) page 13, line 13 - line 17; figure 10	1-5, 84 42-47, 55, 59, 62, 66-70, 74, 76, 78, 82, 83, 85, 86, 88, 89
Y	--- US 6 104 959 A (SPERTELL ROBERT BRUCE) 15 August 2000 (2000-08-15) column 7, line 27 - line 36; figure 1	36, 79
P, X P, A	--- GB 2 360 946 A (LYNTON LASERS LTD) 10 October 2001 (2001-10-10) page 1, line 1 - line 2 page 5, line 1 - page 6, line 3; figure 3	1-5, 7-9 42-47, 55, 59, 62, 66-70, 74, 76, 78, 79, 82-86, 88, 89
Y A	--- US 5 683 380 A (ECKHOUSE SHIMON ET AL) 4 November 1997 (1997-11-04) column 2, line 6 - line 27; figures 4, 5	67 1, 42, 47, 55, 66, 69, 70, 74, 76-79, 82-84, 88, 89
A	--- EP 1 038 505 A (PLASMAPHOTONICS GMBH) 27 September 2000 (2000-09-27) abstract; figure 1 -----	1, 42-47, 55, 59, 62, 66-70, 74, 76, 78, 79, 82-86, 88, 89

INTERNATIONAL SEARCH REPORT

Information on patent family members

International Application No PCT/US 02/05689

Patent document cited in search report	A	Publication date	Patent family member(s)	Publication date
US 5620478	A	15-04-1997	US 5626631 A	06-05-1997
			US 5405368 A	11-04-1995
			US 5720772 A	24-02-1998
			US 6280438 B1	28-08-2001
			AU 691713 B2	21-05-1998
			AU 4332696 A	22-08-1996
			CA 2168624 A1	04-08-1996
			EP 0724894 A2	07-08-1996
			FI 960493 A	04-08-1996
			JP 9000647 A	07-01-1997
			US 5755751 A	26-05-1998
			AT 198836 T	15-02-2001
			CA 2093055 A1	10-10-1993
			DE 9321497 U1	20-08-1998
			DE 69329885 D1	01-03-2001
			DE 69329885 T2	17-05-2001
			DK 9800172 U1	12-05-1998
			DK 565331 T3	23-04-2001
			EP 1078604 A2	28-02-2001
			EP 1078605 A2	28-02-2001
EP 0565331 A2	13-10-1993			
FI 931608 A	10-10-1993			
US 5828803 A	27-10-1998			
US 6174325 B1	16-01-2001			
WO 0074781	A	14-12-2000	AU 5094500 A	28-12-2000
			BR 0012108 A	02-07-2002
			CN 1353620 T	12-06-2002
			EP 1183071 A1	06-03-2002
			WO 0074781 A1	14-12-2000
			NO 20015808 A	21-01-2002
US 6104959	A	15-08-2000	AU 740518 B2	08-11-2001
			AU 8491598 A	22-02-1999
			EP 0999793 A1	17-05-2000
			JP 2001511387 T	14-08-2001
			WO 9905978 A1	11-02-1999
US 6334074 B1	25-12-2001			
GB 2360946	A	10-10-2001	NONE	
US 5683380	A	04-11-1997	AU 717203 B2	23-03-2000
			AU 4817496 A	10-10-1996
			CA 2171260 A1	30-09-1996
			DE 29623504 U1	20-08-1998
			EP 0736308 A2	09-10-1996
			FI 961413 A	30-09-1996
			JP 8266326 A	15-10-1996
			US 5885273 A	23-03-1999
			US 6280438 B1	28-08-2001
			EP 1038505	A
EP 1038505 A2	27-09-2000			