

CORRECTED VERSION

(19) World Intellectual Property Organization  
International Bureau



(43) International Publication Date  
18 February 2010 (18.02.2010)

PCT

(10) International Publication Number  
WO 2010/019704 A8

(51) International Patent Classification:  
A61B 17/70 (2006.01)

(21) International Application Number:  
PCT/US2009/053600

(22) International Filing Date:  
12 August 2009 (12.08.2009)

(25) Filing Language: English

(26) Publication Language: English

(30) Priority Data:  
12/190,423 12 August 2008 (12.08.2008) US

(71) Applicant (for all designated States except US):  
BLACKSTONE MEDICAL, INC. [US/US]; 1211  
Hamburg Turnpike, Suite 300, Wayne, NJ 07470 (US).

(72) Inventors; and

(75) Inventors/Applicants (for US only): SEMLER, Mark,  
Evald [US/US]; 4 Mayfair Road, Morris Plains, NJ  
07950 (US). LAROSA, Francesco, Alfredo [IT/US]; 22  
Country Club Drive, Neptune, NJ 07753 (US).

(74) Agent: McSPADDEN, William, D.; Baker & McKenzie  
LLP, 2001 Ross Avenue, Suite 2300, Dallas, TX 75201  
(US).

(81) Designated States (unless otherwise indicated, for every  
kind of national protection available): AE, AG, AL, AM,

AO, AT, AU, AZ, BA, BB, BG, BH, BR, BW, BY, BZ,  
CA, CH, CL, CN, CO, CR, CU, CZ, DE, DK, DM, DO,  
DZ, EC, EE, EG, ES, FI, GB, GD, GE, GH, GM, GT,  
HN, HR, HU, ID, IL, IN, IS, JP, KE, KG, KM, KN, KP,  
KR, KZ, LA, LC, LK, LR, LS, LT, LU, LY, MA, MD,  
ME, MG, MK, MN, MW, MX, MY, MZ, NA, NG, NI,  
NO, NZ, OM, PE, PG, PH, PL, PT, RO, RS, RU, SC, SD,  
SE, SG, SK, SL, SM, ST, SV, SY, TJ, TM, TN, TR, TT,  
TZ, UA, UG, US, UZ, VC, VN, ZA, ZM, ZW.

(84) Designated States (unless otherwise indicated, for every  
kind of regional protection available): ARIPO (BW, GH,  
GM, KE, LS, MW, MZ, NA, SD, SL, SZ, TZ, UG, ZM,  
ZW), Eurasian (AM, AZ, BY, KG, KZ, MD, RU, TJ,  
TM), European (AT, BE, BG, CH, CY, CZ, DE, DK, EE,  
ES, FI, FR, GB, GR, HR, HU, IE, IS, IT, LT, LU, LV,  
MC, MK, MT, NL, NO, PL, PT, RO, SE, SI, SK, SM,  
TR), OAPI (BF, BJ, CF, CG, CI, CM, GA, GN, GQ, GW,  
ML, MR, NE, SN, TD, TG).

Published:

— with international search report (Art. 21(3))

(48) Date of publication of this corrected version:  
3 June 2010

(15) Information about Correction:  
see Notice of 3 June 2010

(54) Title: APPARATUS FOR STABILIZING VERTEBRAL BODIES

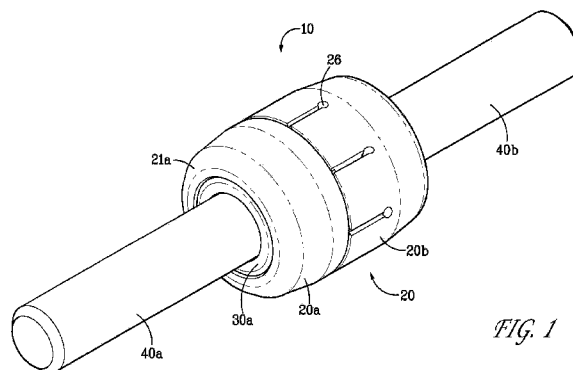


FIG. 1

(57) Abstract: A dynamic stabilization apparatus comprises elongated members mounted within the proximal end of anchoring devices that are placed in adjacent vertebral bodies. A flexible element having elastic properties within the applicable range of loading, for example loads that the spine experiences, is disposed between the proximal ends of the elongated members. At least one additional flexible element is mounted about the proximal ends of the elongated members adjacent the central flexible element. A housing encapsulates the proximal ends of the members such that the flexible element and the additional flexible elements are contained therein. As compressive, tensile, angular, shear and rotational forces are applied to the elongated members the central flexible element and the additional flexible elements interact with the elongated members and the housing to allow for motion of the elongated members.

WO 2010/019704 A8