



- (51) International Patent Classification:  
A45D 40/26 (2006.01) A45D 34/04 (2006.01)
- (21) International Application Number:  
PCT/GB2015/051203
- (22) International Filing Date:  
23 April 2015 (23.04.2015)
- (25) Filing Language:  
English
- (26) Publication Language:  
English
- (30) Priority Data:  
61/983,205 23 April 2014 (23.04.2014) US  
14/693,961 23 April 2015 (23.04.2015) US
- (71) Applicant: ELEMENTZ LLC [GB/GB]; Flat 1, 61 Kensington Court, London W8 5DG (GB).

- (72) Inventors: SHORLAND, Simon T.; Flat 1, 61 Kensington Court, London W8 5DG (GB). CUNNINGHAM, Samantha; Flat 1, 61 Kensington Court, London W8 5DG (GB). MAZUR, Ben; 44 Ralph Road, Ashley Down, Bristol BS7 9QP (GB). AL-MUKHTAR, Osama James; 48A Drylaze Road, Stapleton, Bristol BS16 1HL (GB).
- (74) Agent: DAVIES, Elliot; Ground Floor, Capital Building, Tyndall Street, Pencoed, Cardiff CF10 4AZ (GB).
- (81) Designated States (unless otherwise indicated, for every kind of national protection available): AE, AG, AL, AM, AO, AT, AU, AZ, BA, BB, BG, BH, BN, BR, BW, BY, BZ, CA, CH, CL, CN, CO, CR, CU, CZ, DE, DK, DM, DO, DZ, EC, EE, EG, ES, FI, GB, GD, GE, GH, GM, GT, HN, HR, HU, ID, IL, IN, IR, IS, JP, KE, KG, KN, KP, KR, KZ, LA, LC, LK, LR, LS, LU, LY, MA, MD, ME, MG,

[Continued on next page]

(54) Title: PRODUCT APPLICATION DEVICE

(57) Abstract: A device and method for drying a substance applied to a surface as it is being applied to the surface. The device is designed to apply a form of energy including air movement, heat, or light and can be designed to apply combinations of energy forms. The energy form is applied to the surface during or after the substance has been applied to the surface. A design for the shape of the enclosure (11) and features included in the enclosure (11) for the device are disclosed which enhances the drying efficiency.

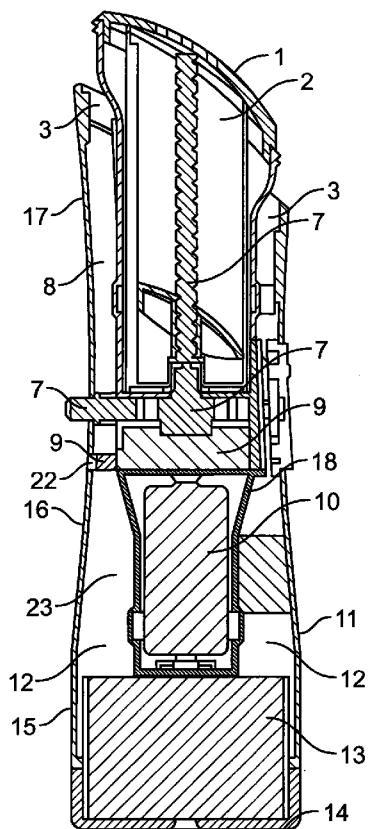


FIG. 5



MK, MN, MW, MX, MY, MZ, NA, NG, NI, NO, NZ, OM, PA, PE, PG, PH, PL, PT, QA, RO, RS, RU, RW, SA, SC, SD, SE, SG, SK, SL, SM, ST, SV, SY, TH, TJ, TM, TN, TR, TT, TZ, UA, UG, US, UZ, VC, VN, ZA, ZM, ZW.

SI, SK, SM, TR), OAPI (BF, BJ, CF, CG, CI, CM, GA, GN, GQ, GW, KM, ML, MR, NE, SN, TD, TG).

**Published:**

- with international search report (*Art. 21(3)*)
- before the expiration of the time limit for amending the claims and to be republished in the event of receipt of amendments (*Rule 48.2(h)*)

**(84) Designated States** (*unless otherwise indicated, for every kind of regional protection available*): ARIPO (BW, GH, GM, KE, LR, LS, MW, MZ, NA, RW, SD, SL, ST, SZ, TZ, UG, ZM, ZW), Eurasian (AM, AZ, BY, KG, KZ, RU, TJ, TM), European (AL, AT, BE, BG, CH, CY, CZ, DE, DK, EE, ES, FI, FR, GB, GR, HR, HU, IE, IS, IT, LT, LU, LV, MC, MK, MT, NL, NO, PL, PT, RO, RS, SE,

**(88) Date of publication of the international search report:**  
24 March 2016

**INTERNATIONAL SEARCH REPORT**

International application No  
PCT/GB2015/051203

**A. CLASSIFICATION OF SUBJECT MATTER**  
INV. A45D40/26 A45D34/04  
ADD.

According to International Patent Classification (IPC) or to both national classification and IPC

**B. FIELDS SEARCHED**

Minimum documentation searched (classification system followed by classification symbols)  
A45D

Documentation searched other than minimum documentation to the extent that such documents are included in the fields searched

Electronic data base consulted during the international search (name of data base and, where practicable, search terms used)

EPO-Internal, WPI Data

**C. DOCUMENTS CONSIDERED TO BE RELEVANT**

Category*	Citation of document, with indication, where appropriate, of the relevant passages	Relevant to claim No.
A	US 2008/107475 A1 (WOJCIK MICHAEL [US] ET AL) 8 May 2008 (2008-05-08) the whole document	1
X	EP 2 090 370 A1 (OREAL [FR]) 19 August 2009 (2009-08-19)  paragraph [0074] - paragraph [0135]; figures 4-6	1-10, 12-15, 17-31

Further documents are listed in the continuation of Box C.

See patent family annex.

\* Special categories of cited documents :

- "A" document defining the general state of the art which is not considered to be of particular relevance
- "E" earlier application or patent but published on or after the international filing date
- "L" document which may throw doubts on priority claim(s) or which is cited to establish the publication date of another citation or other special reason (as specified)
- "O" document referring to an oral disclosure, use, exhibition or other means
- "P" document published prior to the international filing date but later than the priority date claimed

"T" later document published after the international filing date or priority date and not in conflict with the application but cited to understand the principle or theory underlying the invention

"X" document of particular relevance; the claimed invention cannot be considered novel or cannot be considered to involve an inventive step when the document is taken alone

"Y" document of particular relevance; the claimed invention cannot be considered to involve an inventive step when the document is combined with one or more other such documents, such combination being obvious to a person skilled in the art

"&" document member of the same patent family

Date of the actual completion of the international search

22 January 2016

Date of mailing of the international search report

10/02/2016

Name and mailing address of the ISA/  
European Patent Office, P.B. 5818 Patentlaan 2  
NL - 2280 HV Rijswijk  
Tel. (+31-70) 340-2040,  
Fax: (+31-70) 340-3016

Authorized officer

Hinrichs, Wiebke

# INTERNATIONAL SEARCH REPORT

International application No.  
PCT/GB2015/051203

## Box No. II Observations where certain claims were found unsearchable (Continuation of item 2 of first sheet)

This international search report has not been established in respect of certain claims under Article 17(2)(a) for the following reasons:

1.  Claims Nos.:  
because they relate to subject matter not required to be searched by this Authority, namely:
  
2.  Claims Nos.:  
because they relate to parts of the international application that do not comply with the prescribed requirements to such an extent that no meaningful international search can be carried out, specifically:
  
3.  Claims Nos.:  
because they are dependent claims and are not drafted in accordance with the second and third sentences of Rule 6.4(a).

## Box No. III Observations where unity of invention is lacking (Continuation of item 3 of first sheet)

This International Searching Authority found multiple inventions in this international application, as follows:

see additional sheet

1.  As all required additional search fees were timely paid by the applicant, this international search report covers all searchable claims.
2.  As all searchable claims could be searched without effort justifying an additional fees, this Authority did not invite payment of additional fees.
3.  As only some of the required additional search fees were timely paid by the applicant, this international search report covers only those claims for which fees were paid, specifically claims Nos.:
4.  No required additional search fees were timely paid by the applicant. Consequently, this international search report is restricted to the invention first mentioned in the claims; it is covered by claims Nos.:

### Remark on Protest

- The additional search fees were accompanied by the applicant's protest and, where applicable, the payment of a protest fee.
- The additional search fees were accompanied by the applicant's protest but the applicable protest fee was not paid within the time limit specified in the invitation.
- No protest accompanied the payment of additional search fees.

**FURTHER INFORMATION CONTINUED FROM PCT/ISA/ 210**

This International Searching Authority found multiple (groups of) inventions in this international application, as follows:

1. claims: 1-23

Device for applying a substance including an air movement mechanism

---

2. claims: 24-32

Device for applying a substance including an energy delivery directed toward the applicator of the device

---

# INTERNATIONAL SEARCH REPORT

Information on patent family members

International application No

PCT/GB2015/051203

Patent document cited in search report	Publication date	Patent family member(s)	Publication date	
US 2008107475	A1	08-05-2008	US 2008107475 A1	08-05-2008
			WO 2008057482 A1	15-05-2008
-----				
EP 2090370	A1	19-08-2009	EP 2090370 A1	19-08-2009
			ES 2421560 T3	03-09-2013
			FR 2927237 A1	14-08-2009
			US 2009200392 A1	13-08-2009
-----				