



US00D426529S

United States Patent [19]

[11] Patent Number: **Des. 426,529**

Lohrding et al.

[45] Date of Patent: **** Jun. 13, 2000**

[54] **TRANSCEIVER HOUSING**
[75] Inventors: **Bradley K. Lohrding**, Gurnee; **Lorena C. Skelley**, Cary, both of Ill.

D. 380,475 7/1997 Rasmussen D13/184 X
D. 383,131 9/1997 Biasotti et al. D14/149
D. 396,471 7/1998 Kolinen D14/240
D. 398,899 9/1998 Chaco D13/103

[73] Assignee: **Motorola, Inc.**, Schaumburg, Ill.

Primary Examiner—Jeffrey Asch
Attorney, Agent, or Firm—John G. Rauch; Sylvia Y. Chen

[**] Term: **14 Years**

[57] CLAIM

[21] Appl. No.: **29/088,191**

The ornamental design for a transceiver housing, as shown and described.

[22] Filed: **May 18, 1998**

DESCRIPTION

[51] **LOC (7) Cl.** **14-03**
[52] **U.S. Cl.** **D14/137; D14/240**
[58] **Field of Search** D14/140, 142,
D14/240, 242, 100, 107, 114, 137, 155,
159, 188, 141; D10/106; D13/184, 103;
379/419, 420, 429, 440, 441, 442; 455/90,
347, 73

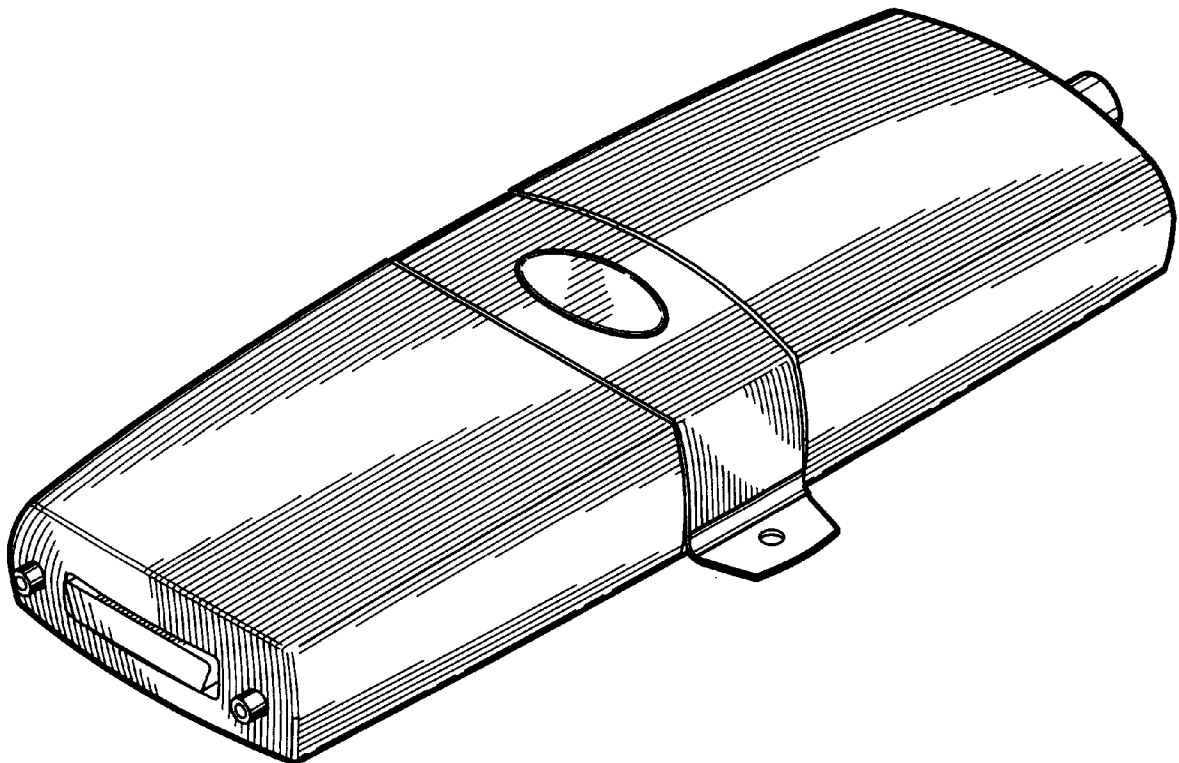
FIG. 1 is a right, front, bottom view of a transceiver housing, showing our new design;
FIG. 2 is a right side elevation view thereof;
FIG. 3 is a front elevation view thereof;
FIG. 4 is a bottom elevation view thereof;
FIG. 5 is a left side elevation view thereof;
FIG. 6 is a rear elevation view thereof; and
FIG. 7 is a top elevation view thereof;
FIG. 8 is a right, front, bottom view of that shown in FIG. 1 without the broken line description;
FIG. 9 is a left side elevational view thereof;
FIG. 10 is a rear elevational view thereof; and,
FIG. 11 is a top elevational view thereof.
The broken lines shown in FIGS. 1-7 are for illustrative purposes only and form no part of the claimed design.

[56] References Cited

U.S. PATENT DOCUMENTS

D. 305,717 1/1990 Soren et al. D14/240 X
D. 306,583 3/1990 Krolopp et al. D14/137
D. 342,249 12/1993 Beaumont et al. D14/142
D. 343,394 1/1994 Kakizaki D14/188
D. 367,650 3/1996 Solomita D14/141
D. 372,474 8/1996 Ford et al. D14/240
D. 380,199 6/1997 Beruscha et al. D13/184 X

1 Claim, 5 Drawing Sheets



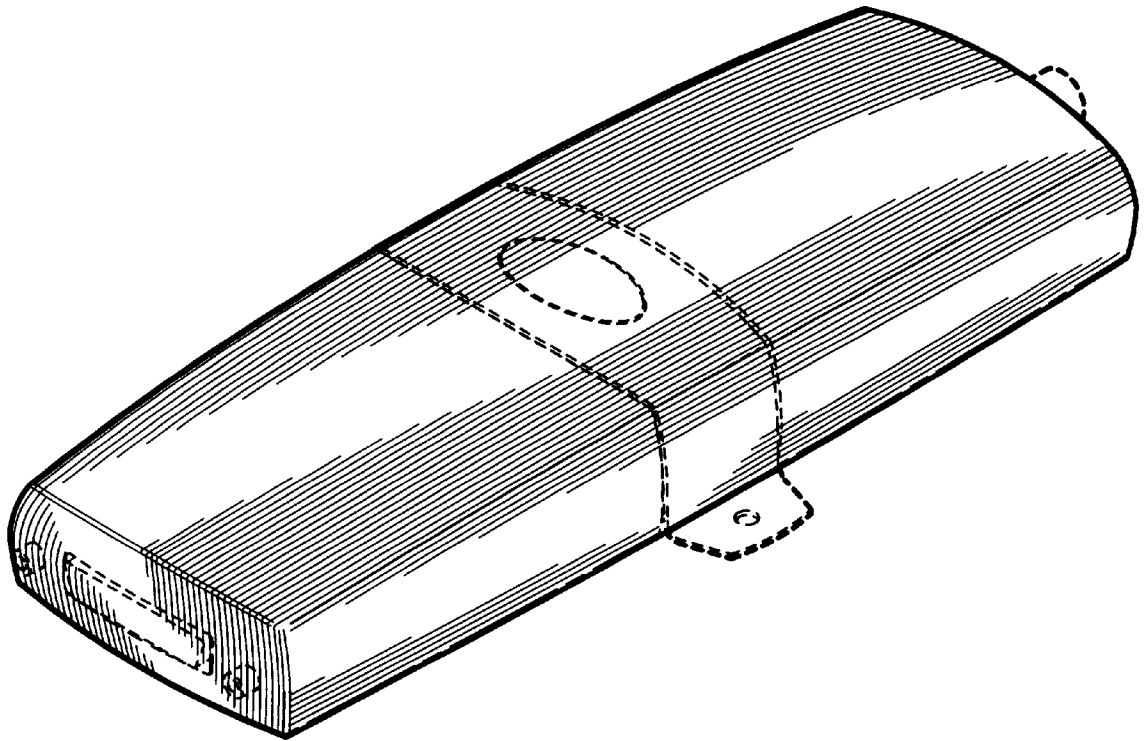


FIG. 1



FIG. 2

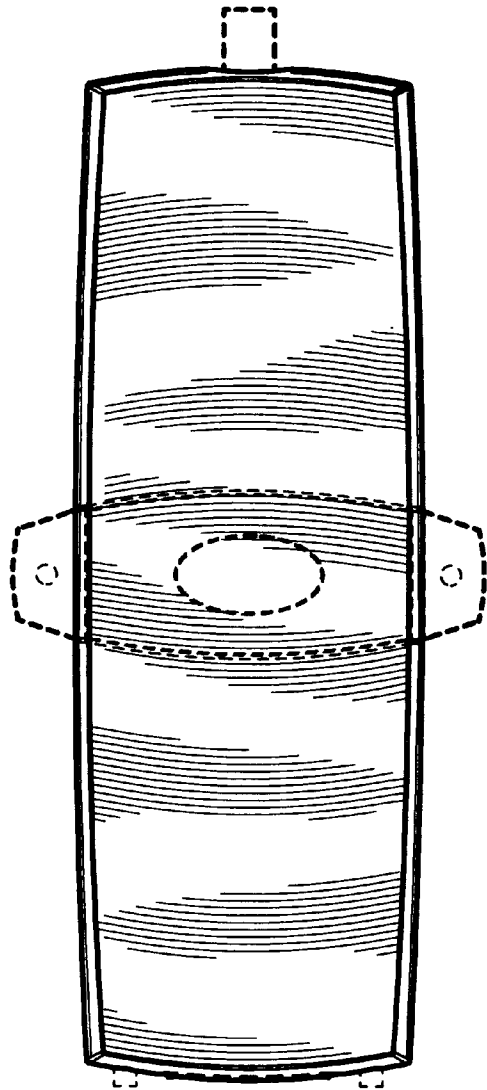


FIG. 3

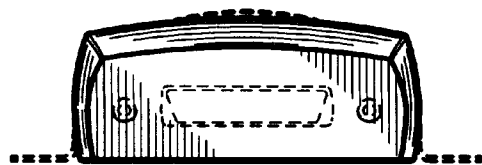


FIG. 4



FIG. 5

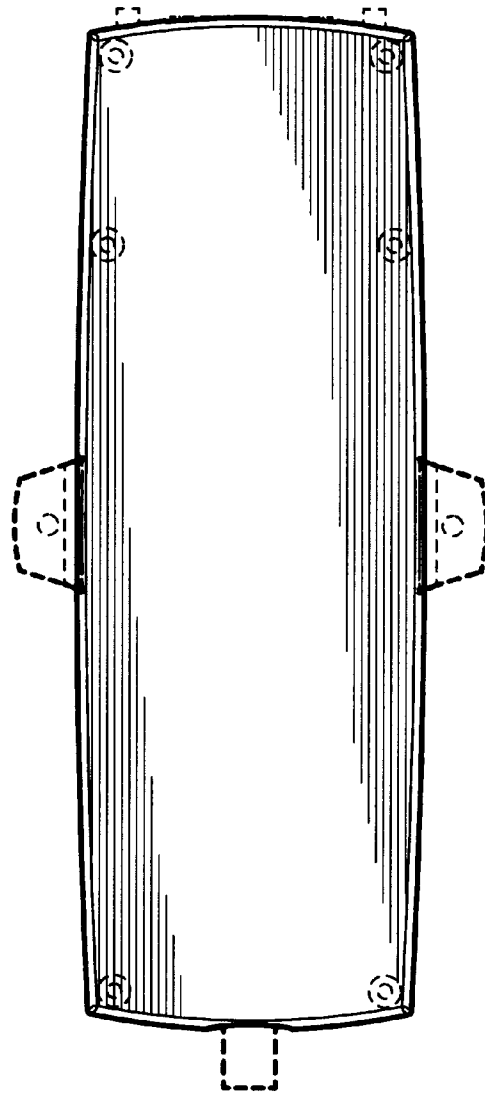


FIG. 6



FIG. 7

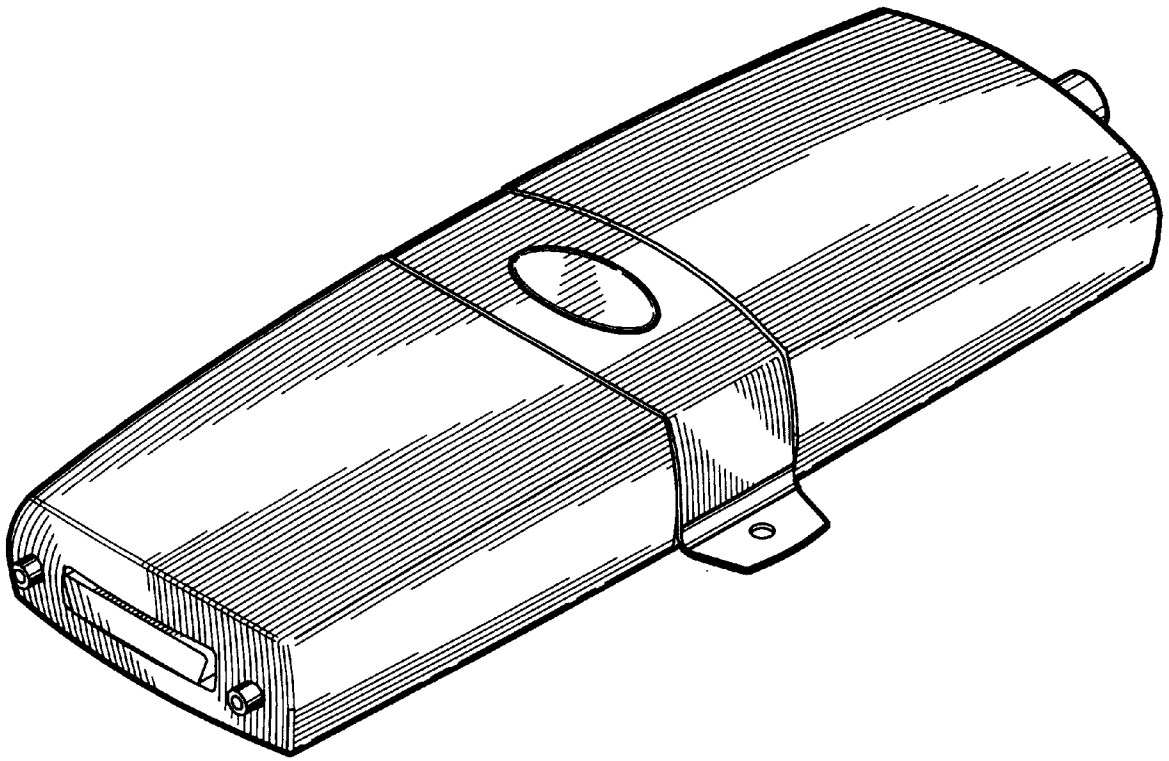


FIG. 8



FIG. 9

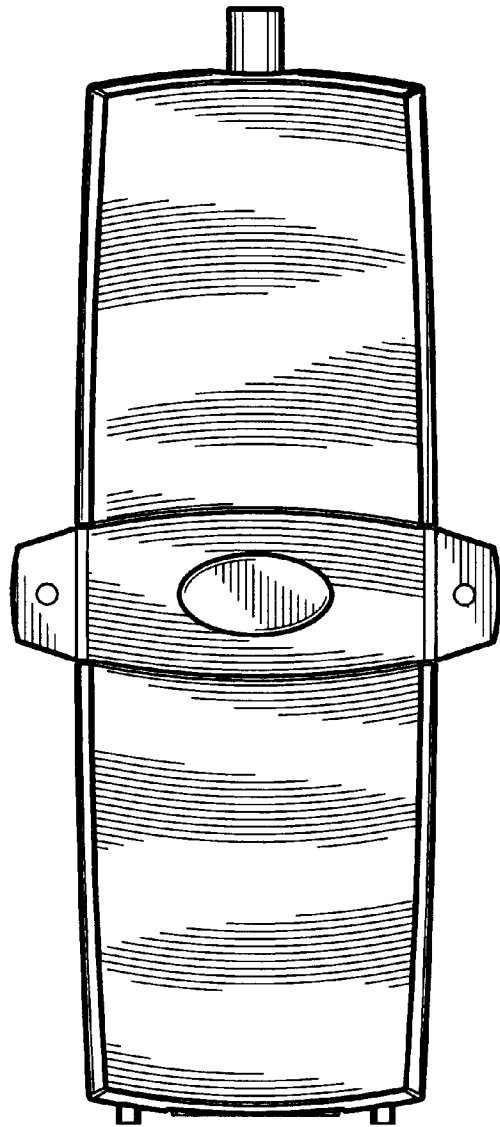


FIG. 10

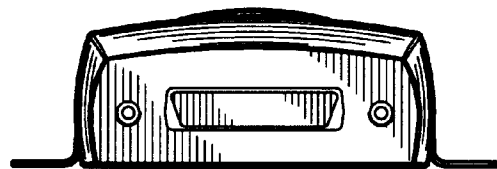


FIG. 11