



(51) International Patent Classification:

F25D 3/08 (2006.01) F25D 23/12 (2006.01)
A47J 43/046 (2006.01) A45C 5/14 (2006.01)
A23G 9/04 (2006.01) A47J 43/08 (2006.01)
A45C 11/20 (2006.01) A47J 43/07 (2006.01)

(21) International Application Number:

PCT/US2014/063589

(22) International Filing Date:

31 October 2014 (31.10.2014)

(25) Filing Language:

English

(26) Publication Language:

English

(30) Priority Data:

61/898,344 31 October 2013 (31.10.2013) US

(72) Inventor; and

(71) Applicant : GREPPER, Ryan [US/US]; 7327 SW Bames Road, #404, Portland, OR 97225 (US).

(74) Agent: ROSS, Kevin, S.; Marger Johnson & Mccollom, 210 SW Morrison Street, Suite 400, Portland, OR 97204 (US).

(81) Designated States (unless otherwise indicated, for every kind of national protection available):

AE, AG, AL, AM, AO, AT, AU, AZ, BA, BB, BG, BH, BN, BR, BW, BY, BZ, CA, CH, CL, CN, CO, CR, CU, CZ, DE, DK, DM, DO, DZ, EC, EE, EG, ES, FI, GB, GD, GE, GH, GM, GT, HN, HR, HU, ID, IL, IN, IR, IS, JP, KE, KG, KN, KP, KR, KZ, LA, LC, LK, LR, LS, LU, LY, MA, MD, ME, MG, MK, MN, MW, MX, MY, MZ, NA, NG, NI, NO, NZ, OM, PA, PE, PG, PH, PL, PT, QA, RO, RS, RU, RW, SA, SC, SD, SE, SG, SK, SL, SM, ST, SV, SY, TH, TJ, TM, TN, TR, TT, TZ, UA, UG, US, UZ, VC, VN, ZA, ZM, ZW.

(84) Designated States (unless otherwise indicated, for every kind of regional protection available):

ARIPO (BW, GH, GM, KE, LR, LS, MW, MZ, NA, RW, SD, SL, ST, SZ, TZ, UG, ZM, ZW), Eurasian (AM, AZ, BY, KG, KZ, RU, TJ, TM), European (AL, AT, BE, BG, CH, CY, CZ, DE, DK, EE, ES, FI, FR, GB, GR, HR, HU, IE, IS, IT, LT, LU, LV, MC, MK, MT, NL, NO, PL, PT, RO, RS, SE, SI, SK, SM, TR), OAPI (BF, BJ, CF, CG, CI, CM, GA, GN, GQ, GW, KM, ML, MR, NE, SN, TD, TG).

Published:

— with international search report (Art. 21(3))

[Continued on next page]

(54) Title: COOLER HAVING INTEGRATED BLENDER AND ACCESSORIES

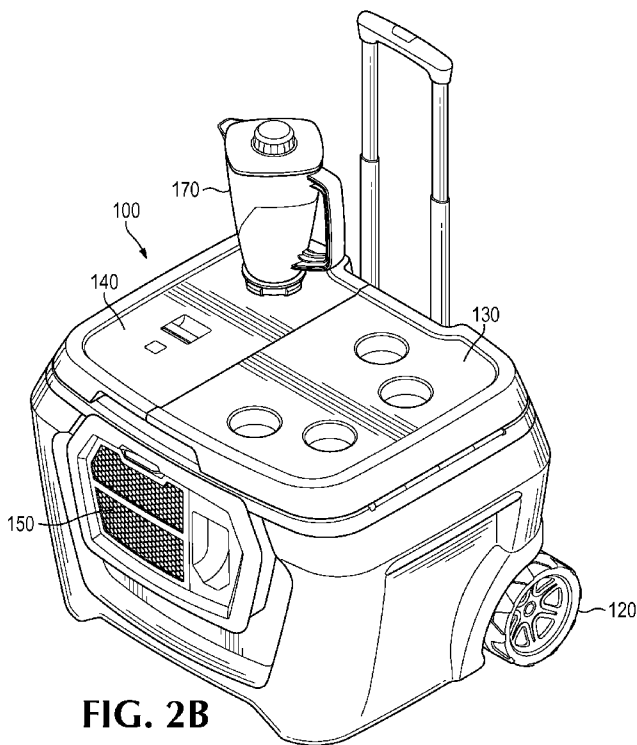


FIG. 2B

(57) Abstract: A portable cooler (100) includes an insulated body (110) that defines a main interior storage space, and a lid (130, 140) structured to at least partially cover the main interior storage space. The lid (130, 140) includes an integrated blender (170) or an integrated blender drive. Components of the blender (170) may include a source of electrical power, an electric motor, and a blender spindle mounted through a surface of the lid (130, 140) and coupled to the electric motor. Other embodiments include integrated accessories, such as an integrated storage compartment, a set of wide wheels to minimize drag, an overall cooler shape that promotes ease of use over soft ground, quiet wheels, an improved drain, integrated plate and utensil storage, a telescoping handle with leverage plate, an integrated tie-down system, a unique lid system, and a system for utilizing the integrated battery for various purposes.

WO 2015/066559 A3



— *before the expiration of the time limit for amending the claims and to be republished in the event of receipt of amendments (Rule 48.2(h))*

(88) Date of publication of the international search report:
3 September 2015

INTERNATIONAL SEARCH REPORT

International application No
PCT/US2014/063589

A. CLASSIFICATION OF SUBJECT MATTER
 INV. F25D3/08 A47J43/046 A23G9/04 A45C11/20 F25D23/12
 A45C5/14 A47J43/08 A47J43/07
 ADD.
 According to International Patent Classification (IPC) or to both national classification and IPC

B. FIELDS SEARCHED
 Minimum documentation searched (classification system followed by classification symbols)
 F25D A47J A23G A45C B67D F25C B65D B01F

Documentation searched other than minimum documentation to the extent that such documents are included in the fields searched

Electronic data base consulted during the international search (name of data base and, where practicable, search terms used)
 EPO-Internal, WPI Data

C. DOCUMENTS CONSIDERED TO BE RELEVANT

Category*	Citation of document, with indication, where appropriate, of the relevant passages	Relevant to claim No.
Y	US 3 791 547 A (BRANSCUM T) 12 February 1974 (1974-02-12) column 3, line 14 - line 24 figures 1-3,7 -----	1-3, 5-18, 20-26, 28-33
Y	US 5 855 431 A (COSTANZO FRANK T [US]) 5 January 1999 (1999-01-05) the whole document -----	1-3, 5-18, 20-26, 28-33, 35,44-46
X	US 2013/043337 A1 (RUKAVINA STEVE [US] ET AL) 21 February 2013 (2013-02-21)	34,39
Y	abstract figures 1-14 -----	35-38
	-/--	

Further documents are listed in the continuation of Box C.

See patent family annex.

* Special categories of cited documents :

- "A" document defining the general state of the art which is not considered to be of particular relevance
- "E" earlier application or patent but published on or after the international filing date
- "L" document which may throw doubts on priority claim(s) or which is cited to establish the publication date of another citation or other special reason (as specified)
- "O" document referring to an oral disclosure, use, exhibition or other means
- "P" document published prior to the international filing date but later than the priority date claimed

- "T" later document published after the international filing date or priority date and not in conflict with the application but cited to understand the principle or theory underlying the invention
- "X" document of particular relevance; the claimed invention cannot be considered novel or cannot be considered to involve an inventive step when the document is taken alone
- "Y" document of particular relevance; the claimed invention cannot be considered to involve an inventive step when the document is combined with one or more other such documents, such combination being obvious to a person skilled in the art
- "&" document member of the same patent family

Date of the actual completion of the international search 8 July 2015	Date of mailing of the international search report 20/07/2015
--	--

Name and mailing address of the ISA/ European Patent Office, P.B. 5818 Patentlaan 2 NL - 2280 HV Rijswijk Tel. (+31-70) 340-2040, Fax: (+31-70) 340-3016	Authorized officer Correia dos Reis, I
--	---

INTERNATIONAL SEARCH REPORT

International application No

PCT/US2014/063589

C(Continuation). DOCUMENTS CONSIDERED TO BE RELEVANT		
Category*	Citation of document, with indication, where appropriate, of the relevant passages	Relevant to claim No.
Y	EP 1 969 980 A1 (WHIRLPOOL CO [US]) 17 September 2008 (2008-09-17) the whole document	3,5,8, 10-13, 15,18, 20, 24-26, 28-33, 36-38
X	US 2009/277187 A1 (MCGANN RYAN [US]) 12 November 2009 (2009-11-12)	40-43, 143,145, 146, 151-156
Y	paragraph [0002] paragraph [0010] paragraphs [0013] - [0015] paragraph [0061] paragraph [0064] paragraph [0068] paragraph [0070] - paragraph [0072] figures 1-22	44-46
X	WO 2007/106471 A2 (LINDLEY MICHAEL B [US]) 20 September 2007 (2007-09-20) paragraph [0020] paragraph [0045] paragraph [0062] - paragraph [0063] paragraph [0107] - paragraph [0109] paragraph [0156] figures 4-12,15-16	143-156
A	US 2002/176320 A1 (WULF JOHN DOUGLAS [US] ET AL) 28 November 2002 (2002-11-28) abstract figure 2	40,44-46
A	US 2010/037786 A1 (KOUNLAVONG PHETSOUVANH [US] ET AL) 18 February 2010 (2010-02-18) the whole document	1-39
A	DE 31 22 813 A1 (REFAIE ABDELRAHMAN) 5 January 1983 (1983-01-05) the whole document	1-39
A	US 2011/073212 A1 (ERBS DARYL G [US] ET AL) 31 March 2011 (2011-03-31) the whole document	1-39
A	US 2013/082051 A1 (KAUFMANN SCOTT W [US]) 4 April 2013 (2013-04-04) paragraphs [0019], [0051], [0066] figures 1,2,6A-D	40-46, 143-156
23 9	A US 5 379 596 A (GRAYSON TOM [US]) 10 January 1995 (1995-01-10) the whole document	40-46, 153-156

INTERNATIONAL SEARCH REPORT

International application No.
PCT/US2014/063589

Box No. II Observations where certain claims were found unsearchable (Continuation of item 2 of first sheet)

This international search report has not been established in respect of certain claims under Article 17(2)(a) for the following reasons:

1. Claims Nos.:
because they relate to subject matter not required to be searched by this Authority, namely:

2. Claims Nos.:
because they relate to parts of the international application that do not comply with the prescribed requirements to such an extent that no meaningful international search can be carried out, specifically:

3. Claims Nos.:
because they are dependent claims and are not drafted in accordance with the second and third sentences of Rule 6.4(a).

Box No. III Observations where unity of invention is lacking (Continuation of item 3 of first sheet)

This International Searching Authority found multiple inventions in this international application, as follows:

see additional sheet

1. As all required additional search fees were timely paid by the applicant, this international search report covers all searchable claims.

2. As all searchable claims could be searched without effort justifying an additional fees, this Authority did not invite payment of additional fees.

3. As only some of the required additional search fees were timely paid by the applicant, this international search report covers only those claims for which fees were paid, specifically claims Nos.:

1-46, 143-156

4. No required additional search fees were timely paid by the applicant. Consequently, this international search report is restricted to the invention first mentioned in the claims; it is covered by claims Nos.:

Remark on Protest

- The additional search fees were accompanied by the applicant's protest and, where applicable, the payment of a protest fee.
- The additional search fees were accompanied by the applicant's protest but the applicable protest fee was not paid within the time limit specified in the invitation.
- No protest accompanied the payment of additional search fees.

FURTHER INFORMATION CONTINUED FROM PCT/ISA/ 210

This International Searching Authority found multiple (groups of) inventions in this international application, as follows:

1. claims: 1-39

Portable cooler or lid or blender (suitable for portable cooler) comprising an integrated blender or blender spindle or blender driver

2. claims: 40-46, 143-156

Portable cooler or electrical network (suitable for portable cooler) comprising an energy source (ex: rechargeable battery)

3. claims: 47-68

Portable cooler comprising a sliding surface and/or wheel(s)

4. claims: 69-76

Portable cooler comprising a hinged lid

5. claims: 77-85

Portable cooler comprising an internal reinforcement within the cooler body

6. claims: 86-93, 129-142

Portable cooler comprising a storage structure

7. claims: 94-103

Portable cooler comprising a tie-down cord and a tie-down cord retainer

8. claims: 104-128

Portable cooler comprising a liquid collection cup

INTERNATIONAL SEARCH REPORT

Information on patent family members

International application No PCT/US2014/063589

Patent document cited in search report	Publication date	Patent family member(s)	Publication date
US 3791547	A	12-02-1974	NONE
US 5855431	A	05-01-1999	NONE
US 2013043337	A1	21-02-2013	US 2013043337 A1 WO 2013025794 A1
EP 1969980	A1	17-09-2008	CA 2625561 A1 EP 1969980 A1 US 2008223963 A1
US 2009277187	A1	12-11-2009	NONE
WO 2007106471	A2	20-09-2007	US 2007221515 A1 WO 2007106471 A2
US 2002176320	A1	28-11-2002	CA 2381491 A1 JP 2002360452 A US 2002176320 A1 US 2003147300 A1 US 2003193833 A1 US 2007201306 A1 US 2009168593 A1 US 2010135106 A1 US 2011046786 A1 US 2012018561 A1
US 2010037786	A1	18-02-2010	CA 2666216 A1 US 2010037786 A1
DE 3122813	A1	05-01-1983	NONE
US 2011073212	A1	31-03-2011	CA 2716028 A1 CA 2716067 A1 US 2011073212 A1 US 2011079249 A1
US 2013082051	A1	04-04-2013	NONE
US 5379596	A	10-01-1995	NONE