

[54] PRINTER

[75] Inventor: Hunter T. Foy, Boca Raton, Fla.

[73] Assignee: International Business Machines Corporation, Armonk, N.Y.

[**] Term: 14 Years

[21] Appl. No.: 766,277

[22] Filed: Aug. 16, 1985

[52] U.S. Cl. D14/111

[58] Field of Search D14/100, 107, 114, 111;
D18/13, 22; 400/689-691

[56] References Cited

U.S. PATENT DOCUMENTS

- D. 249,347 9/1978 Zierhut D14/111
- D. 258,060 1/1981 Shea D14/111
- D. 276,235 11/1984 Dorman et al. D14/111
- D. 280,723 9/1985 Nishida et al. D14/111

OTHER PUBLICATIONS

Creative Computing, 5-1984, p. 175, Rich Tabletop Laser Printer.

Primary Examiner—Susan J. Lucas

Attorney, Agent, or Firm—Bell, Seltzer, Park & Gibson

[57] CLAIM

The ornamental design for a printer, substantially as shown and described.

DESCRIPTION

FIG. 1 is a perspective view of the front and right end of the printer showing our new design;

FIG. 2 is a perspective view of the rear and left end thereof;

FIG. 3 is a top plan view thereof;

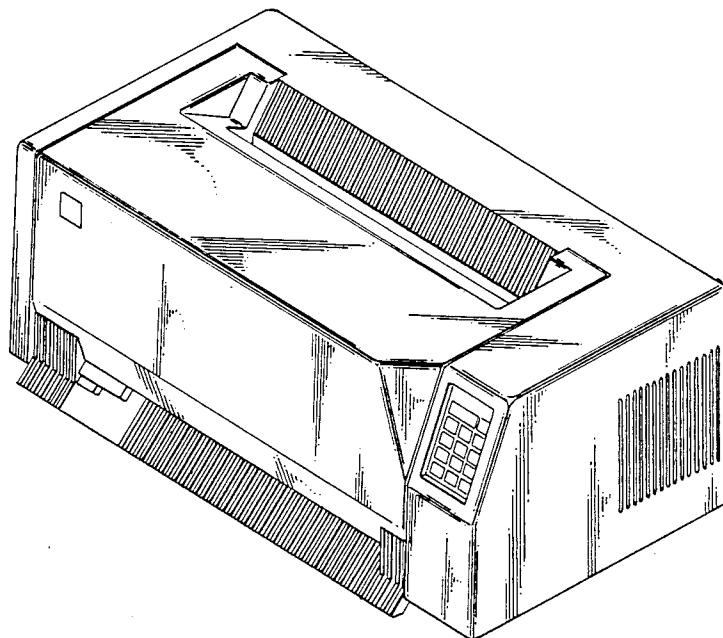
FIG. 4 is a front elevational view thereof;

FIG. 5 is a rear elevational view thereof;

FIG. 6 is a left side elevational view thereof;

FIG. 7 is a right side elevational view thereof.

The bottom of the printer is unornamented.



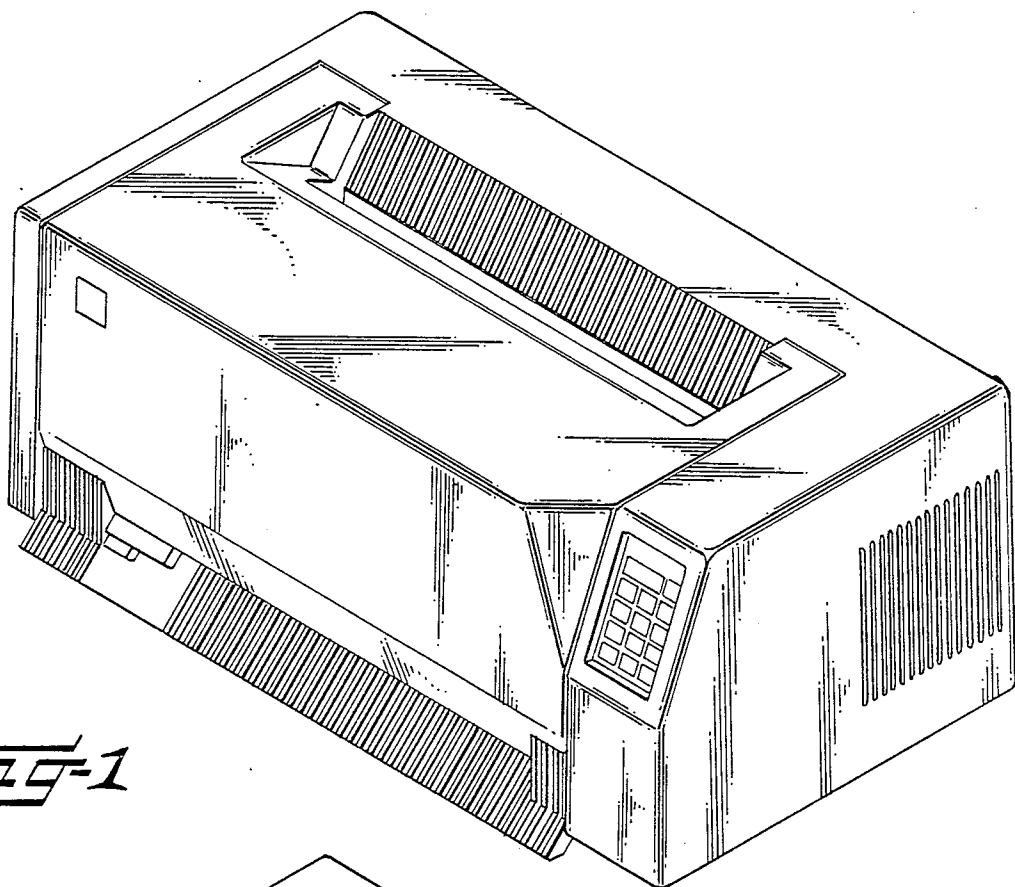


FIG-1

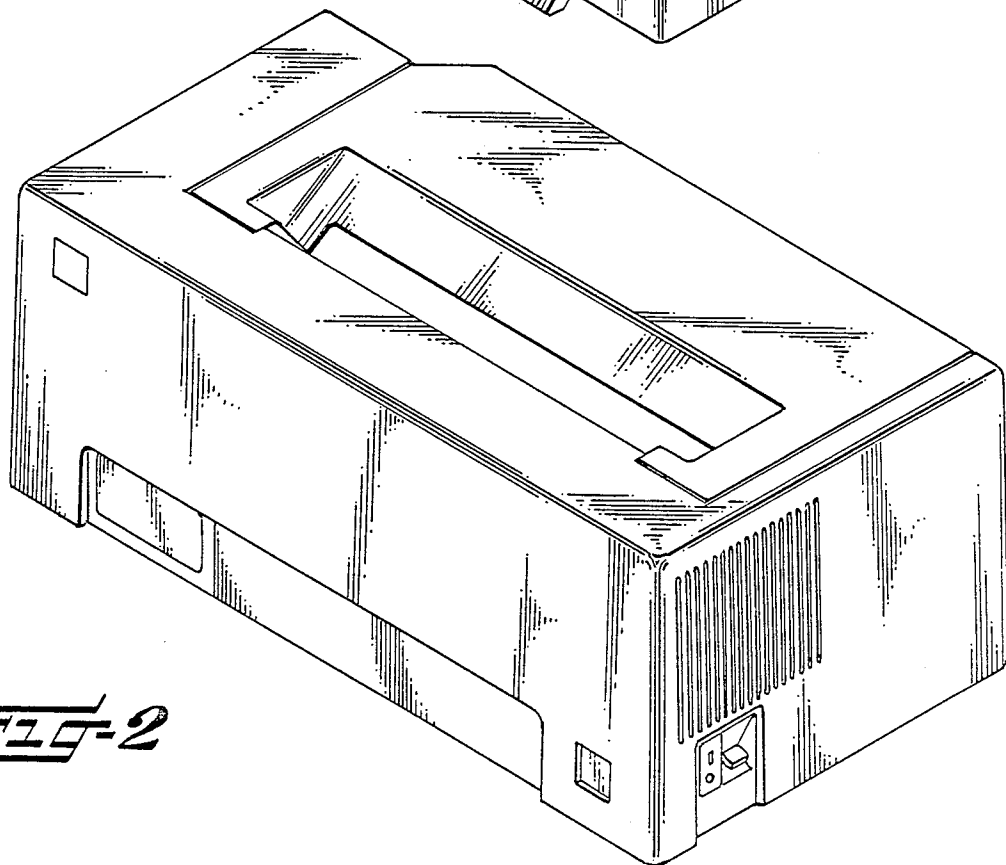


FIG-2

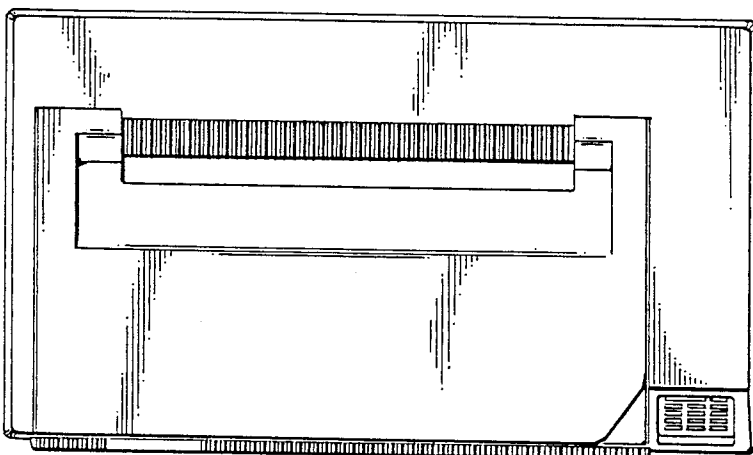


FIG-3

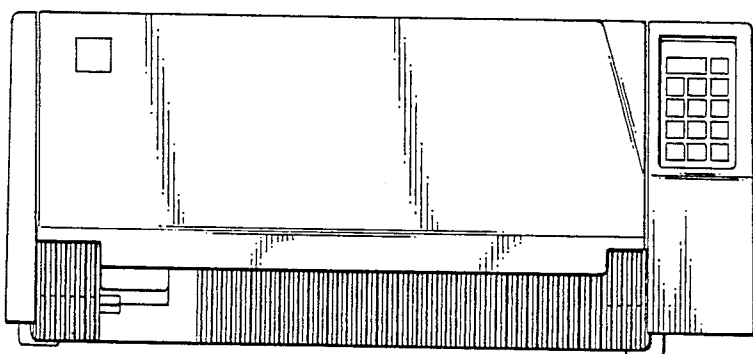


FIG-4

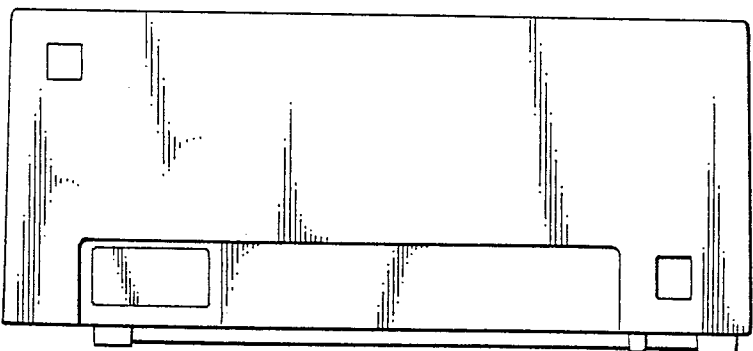


FIG-5

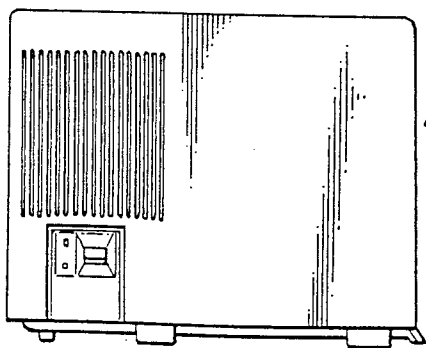


FIG-6

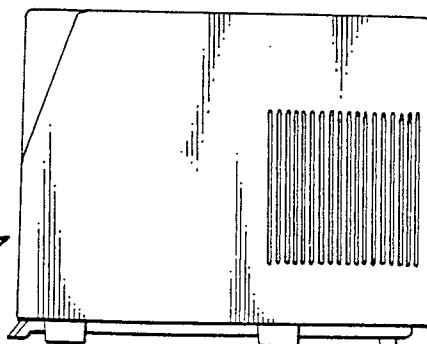


FIG-7