



- (51) **International Patent Classification:**  
A61B 5/0295 (2006.01) A61B 5/026 (2006.01)  
A61B 5/0275 (2006.01)
- (21) **International Application Number:**  
PCT/US2012/021571
- (22) **International Filing Date:**  
17 January 2012 (17.01.2012)
- (25) **Filing Language:** English
- (26) **Publication Language:** English
- (30) **Priority Data:**  
61/433,408 17 January 2011 (17.01.2011) US
- (71) **Applicant (for all designated States except US):** BIOSYN-  
ERGETICS, INC. [US/US]; P.O. Box 5045, Zionsville,  
IN 46077 (US).
- (72) **Inventor; and**
- (75) **Inventor/Applicant (for US only):** NYHART, Eldon, H.  
[US/US]; P.O. Box 5045, Zionsville, IN 46077 (US).
- (74) **Agent:** BARKER, Ryan, C.; Faegre Baker Daniels LLP,  
300 North Meridian Street, Suite 2700, Indianapolis, IN  
46204 (US).

AO, AT, AU, AZ, BA, BB, BG, BH, BR, BW, BY, BZ, CA, CH, CL, CN, CO, CR, CU, CZ, DE, DK, DM, DO, DZ, EC, EE, EG, ES, FI, GB, GD, GE, GH, GM, GT, HN, HR, HU, ID, IL, IN, IS, JP, KE, KG, KM, KN, KP, KR, KZ, LA, LC, LK, LR, LS, LT, LU, LY, MA, MD, ME, MG, MK, MN, MW, MX, MY, MZ, NA, NG, NI, NO, NZ, OM, PE, PG, PH, PL, PT, QA, RO, RS, RU, RW, SC, SD, SE, SG, SK, SL, SM, ST, SV, SY, TH, TJ, TM, TN, TR, TT, TZ, UA, UG, US, UZ, VC, VN, ZA, ZM, ZW.

(84) **Designated States (unless otherwise indicated, for every kind of regional protection available):** ARIPO (BW, GH, GM, KE, LR, LS, MW, MZ, NA, RW, SD, SL, SZ, TZ, UG, ZM, ZW), Eurasian (AM, AZ, BY, KG, KZ, MD, RU, TJ, TM), European (AL, AT, BE, BG, CH, CY, CZ, DE, DK, EE, ES, FI, FR, GB, GR, HR, HU, IE, IS, IT, LT, LU, LV, MC, MK, MT, NL, NO, PL, PT, RO, RS, SE, SI, SK, SM, TR), OAPI (BF, BJ, CF, CG, CI, CM, GA, GN, GQ, GW, ML, MR, NE, SN, TD, TG).

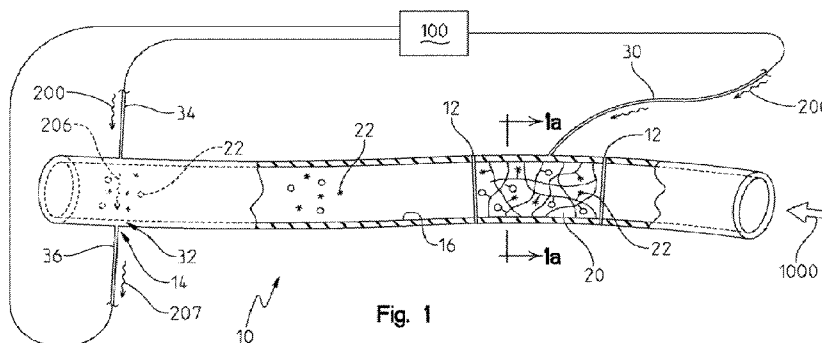
**Published:**  
— with international search report (Art. 21(3))  
(88) **Date of publication of the international search report:**  
17 January 2013

(81) **Designated States (unless otherwise indicated, for every kind of national protection available):** AE, AG, AL, AM,



WO 2012/099889 A3

(54) **Title:** IN-LINE FLOW METER



(57) **Abstract:** A device for measuring flow is provided. Tubing having a polymer therein is activated, followed by downstream detection of agents released by the polymer. The downstream detection of the agents provides for a calculation of the flow to be performed.

**A. CLASSIFICATION OF SUBJECT MATTER***A61B 5/0295(2006.01)i, A61B 5/0275(2006.01)i, A61B 5/026(2006.01)i*

According to International Patent Classification (IPC) or to both national classification and IPC

**B. FIELDS SEARCHED**

Minimum documentation searched (classification system followed by classification symbols)

A61B 5/0295; A61N 1/30; A61N 1/05; B01D 63/04; A61M 1/00; B01D 17/12

Documentation searched other than minimum documentation to the extent that such documents are included in the fields searched

Korean utility models and applications for utility models

Japanese utility models and applications for utility models

Electronic data base consulted during the international search (name of data base and, where practicable, search terms used)

eKOMPASS(KIPO internal) &amp; Keywords:flowmeter, polymer, light, tubing

**C. DOCUMENTS CONSIDERED TO BE RELEVANT**

Category*	Citation of document, with indication, where appropriate, of the relevant passages	Relevant to claim No.
A	US 6738661 B1 (NYHART, JR.; ELDON H.) 18 May 2004 See column 10, line 33 - line 36, claims 1,19,27, and figures 3,6.	1-20
A	US 05470307 A (LINDALL; ARNOLD W.) 28 November 1995 See column 8, line 17 - line 18, claim 1, and figure 11.	1-20
A	US 06086582 A (ALTMAN; PETER A. et al.) 11 July 2000 See column 13, line 10 - line 14, claims 1,6, and figure 8.	1-20
A	US 05919356 A (HOOD; ROBERT GORDON) 06 July 1999 See column 6, line 32 - line 35, claim 1, and figure 7.	1-20

 Further documents are listed in the continuation of Box C. See patent family annex.

\* Special categories of cited documents:

"A" document defining the general state of the art which is not considered to be of particular relevance

"E" earlier application or patent but published on or after the international filing date

"L" document which may throw doubts on priority claim(s) or which is cited to establish the publication date of citation or other special reason (as specified)

"O" document referring to an oral disclosure, use, exhibition or other means

"P" document published prior to the international filing date but later than the priority date claimed

"T" later document published after the international filing date or priority date and not in conflict with the application but cited to understand the principle or theory underlying the invention

"X" document of particular relevance; the claimed invention cannot be considered novel or cannot be considered to involve an inventive step when the document is taken alone

"Y" document of particular relevance; the claimed invention cannot be considered to involve an inventive step when the document is combined with one or more other such documents, such combination being obvious to a person skilled in the art

"&amp;" document member of the same patent family

Date of the actual completion of the international search

20 JULY 2012 (20.07.2012)

Date of mailing of the international search report

**23 JULY 2012 (23.07.2012)**

Name and mailing address of the ISA/KR

Korean Intellectual Property Office  
189 Cheongsu-ro, Seo-gu, Daejeon Metropolitan  
City, 302-701, Republic of Korea

Facsimile No. 82-42-472-7140

Authorized officer

KIM Tae Hoon

Telephone No. 82-42-481-5728



**INTERNATIONAL SEARCH REPORT**

Information on patent family members

International application No.

**PCT/US2012/021571**

Patent document cited in search report	Publication date	Patent family member(s)	Publication date
US 6738661 B1	18.05.2004	AU 2001-24682 A1	30.04.2001
		AU 2001-24682 B2	21.12.2006
		CA 2388536 A1	26.04.2001
		CA 2388536 C	23.03.2010
		CN 1254284 C0	03.05.2006
		CN 1411382 A0	16.04.2003
		EP 1225940 A2	31.07.2002
		EP 1225940 B1	21.02.2007
		US 2002-0065493 A1	30.05.2002
		US 2002-0115958 A1	22.08.2002
		US 2008-0108935 A1	08.05.2008
		US 2008-319373 A1	25.12.2008
		US 2009-0118696 A1	07.05.2009
		US 6985770 B2	10.01.2006
		US 7616989 B2	10.11.2009
		WO 01-28606 A2	26.04.2001
		WO 01-28606 A3	26.04.2001
US 05470307 A	28.11.1995	EP 0751796 A1	05.01.2000
		WO 95-24939 A1	21.09.1995
US 06086582 A	11.07.2000	AU 2000-13231 A1	15.05.2000
		AU 2001-12005 A1	23.04.2001
		CA 2347028 A1	04.05.2000
		EP 1123129 A1	16.08.2001
		EP 1231864 A2	21.08.2002
		EP 1295596 A1	26.03.2003
		EP 1295596 B1	19.04.2006
		JP 04-653918 B2	24.12.2010
		JP 2002-528426 A	03.09.2002
		JP 2003-529409 A	07.10.2003
		US 2002-0010462 A1	24.01.2002
		US 2002-0062125 A1	23.05.2002
		US 2002-0156383 A1	24.10.2002
		US 2002-0177772 A1	28.11.2002
		US 2002-0198486 A1	26.12.2002
		US 2003-0135113 A1	17.07.2003
		US 2004-0102759 A1	27.05.2004
		US 2005-0215991 A1	29.09.2005
		US 2006-0020158 A1	26.01.2006
		US 2006-0078496 A1	13.04.2006
		US 6358247 B1	19.03.2002
		US 6416510 B1	09.07.2002
		US 6443949 B2	03.09.2002
		US 6511477 B2	28.01.2003
		US 6547787 B1	15.04.2003
		US 7104988 B2	12.09.2006
		US 7998105 B2	16.08.2011
US 8027740 B2	27.09.2011		

**INTERNATIONAL SEARCH REPORT**

Information on patent family members

International application No.

**PCT/US2012/021571**

Patent document cited in search report	Publication date	Patent family member(s)	Publication date
		WO 00-24452 A1	04.05.2000
		WO 01-26706 A2	19.04.2001
		WO 01-26706 A3	19.04.2001
US 05919356 A	06.07.1999	EP 0803064 A1	11.07.2001
		EP 0803064 B1	05.09.2001
		WO 96-20402 A1	04.07.1996