



US00D637985S

(12) **United States Design Patent**  
**Andresen**

(10) **Patent No.:** **US D637,985 S**

(45) **Date of Patent:** **\*\* May 17, 2011**

(54) **ENDPOINT FOR VIDEO CONFERENCING**

(75) Inventor: **Simen Andresen**, Eiksmarka (NO)

(73) Assignee: **Tandberg Telecom AS**, Lysaker (NO)

(\*\*) Term: **14 Years**

(21) Appl. No.: **29/363,513**

(22) Filed: **Jun. 10, 2010**

(30) **Foreign Application Priority Data**

Dec. 11, 2009 (NO) ..... 20090657

(51) **LOC (9) Cl.** ..... **14-03**

(52) **U.S. Cl.** ..... **D14/129; D14/126**

(58) **Field of Classification Search** ..... D14/125-134,  
D14/239, 371, 136, 374-377, 440, 450, 448,  
D14/336, 342; 312/7.2; 348/836, 838, 180,  
348/184, 325, 739; 341/12; 248/917-924,  
248/465; 345/104, 133, 156, 168, 87, 173;  
720/605, 669, 600, 655; 369/99, 197; 455/344,  
455/347; D21/329, 515, 577, 622, 333, 433,  
D21/448, 452, 450, 331; D6/477, 479, 300;  
273/148 B; 446/484, 175, 356; D10/15,  
D10/26

See application file for complete search history.

(56) **References Cited**

U.S. PATENT DOCUMENTS

D403,670 S *	1/1999	Liao	.....	D14/375
D461,785 S *	8/2002	Wilmotte	.....	D14/126
D549,675 S *	8/2007	Yoon et al.	.....	D14/126
D601,105 S *	9/2009	Morabito	.....	D14/129
D609,662 S	2/2010	Noreng et al.	.....	
D628,175 S *	11/2010	Desai et al.	.....	D14/126

\* cited by examiner

*Primary Examiner* — Raphael Barkai

(74) *Attorney, Agent, or Firm* — Oblon, Spivak, McClelland, Maier & Neustadt, L.L.P.

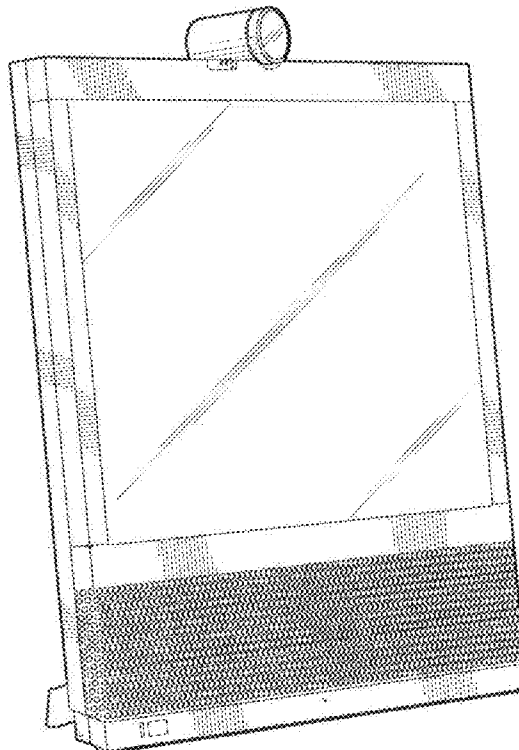
(57) **CLAIM**

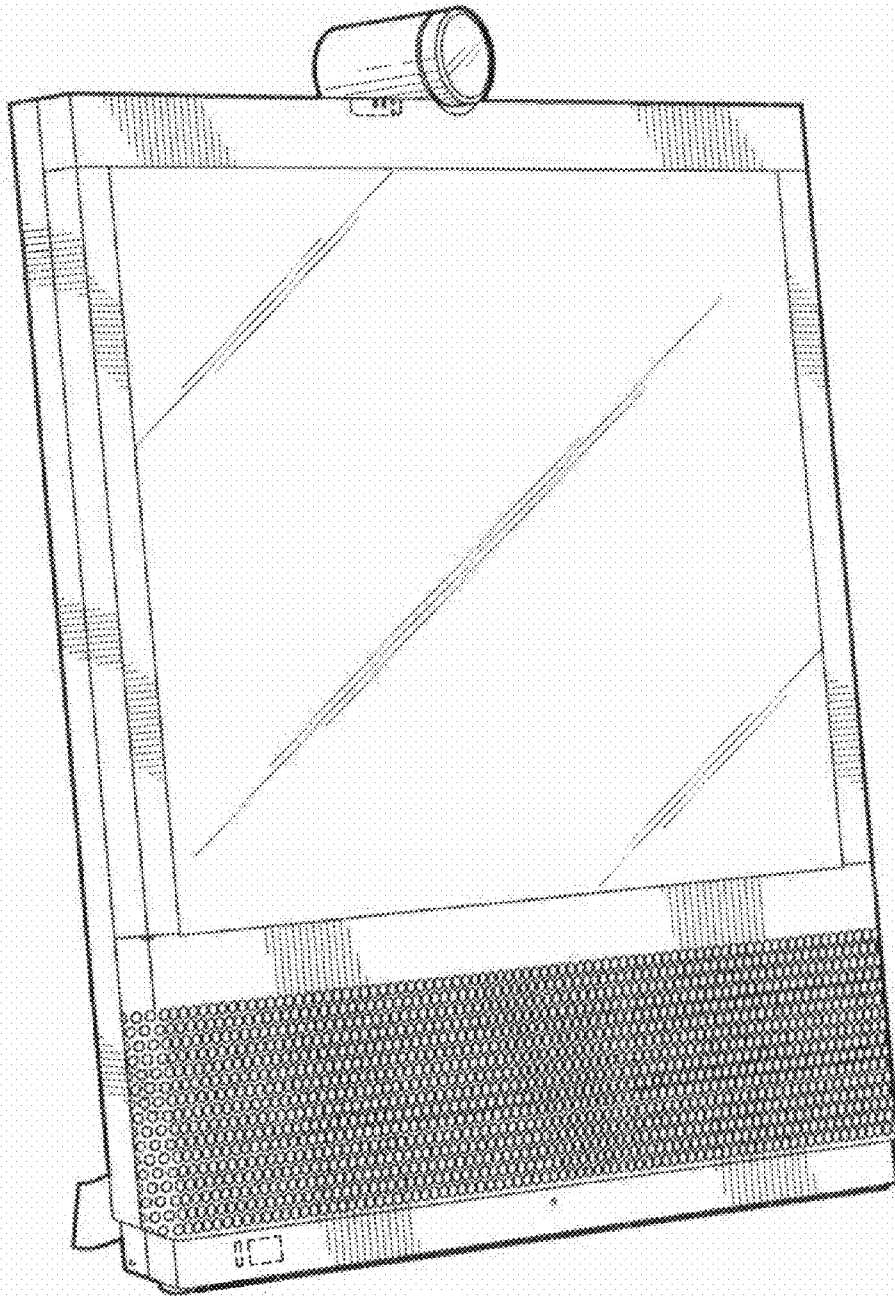
The ornamental design for an endpoint for video conferencing, as shown and described.

**DESCRIPTION**

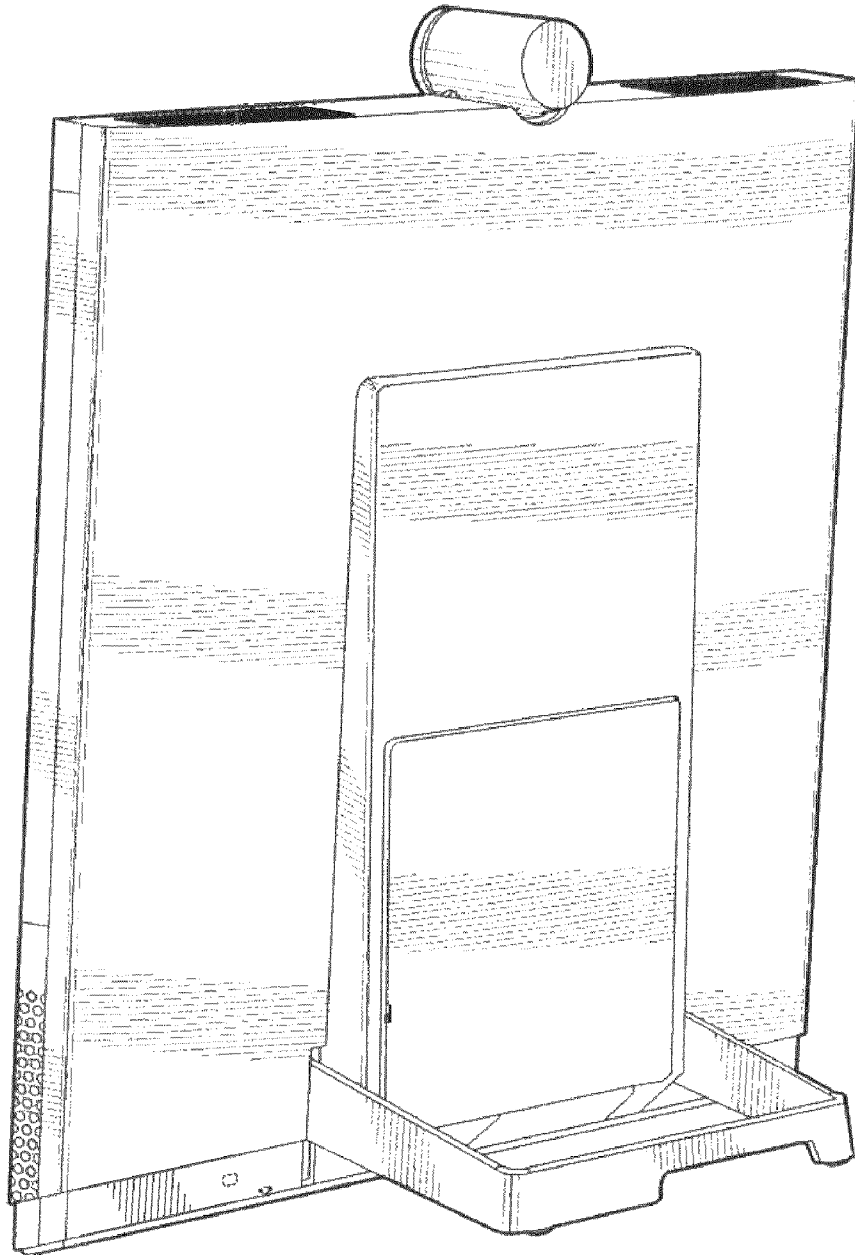
FIG. 1 is a front and left side perspective view of an endpoint for video conferencing;  
FIG. 2 is a rear, top, and right side perspective view thereof;  
FIG. 3 is a front elevational view thereof;  
FIG. 4 is a rear elevational view thereof;  
FIG. 5 is a top plan view thereof;  
FIG. 6 is a bottom plan view thereof;  
FIG. 7 is a right side elevational view thereof; and,  
FIG. 8 is a left side elevational view thereof.  
The broken lines in the drawings depict environmental subject matter only and form no part of the claimed design.

**1 Claim, 8 Drawing Sheets**

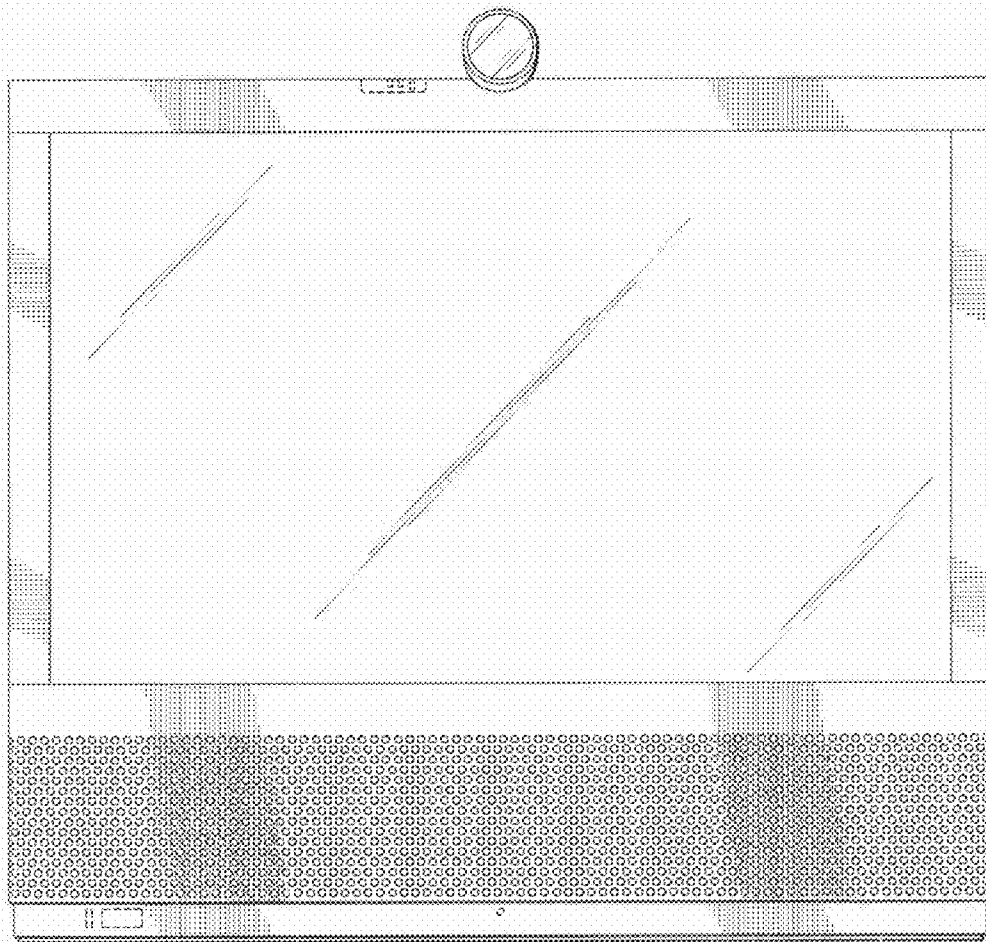




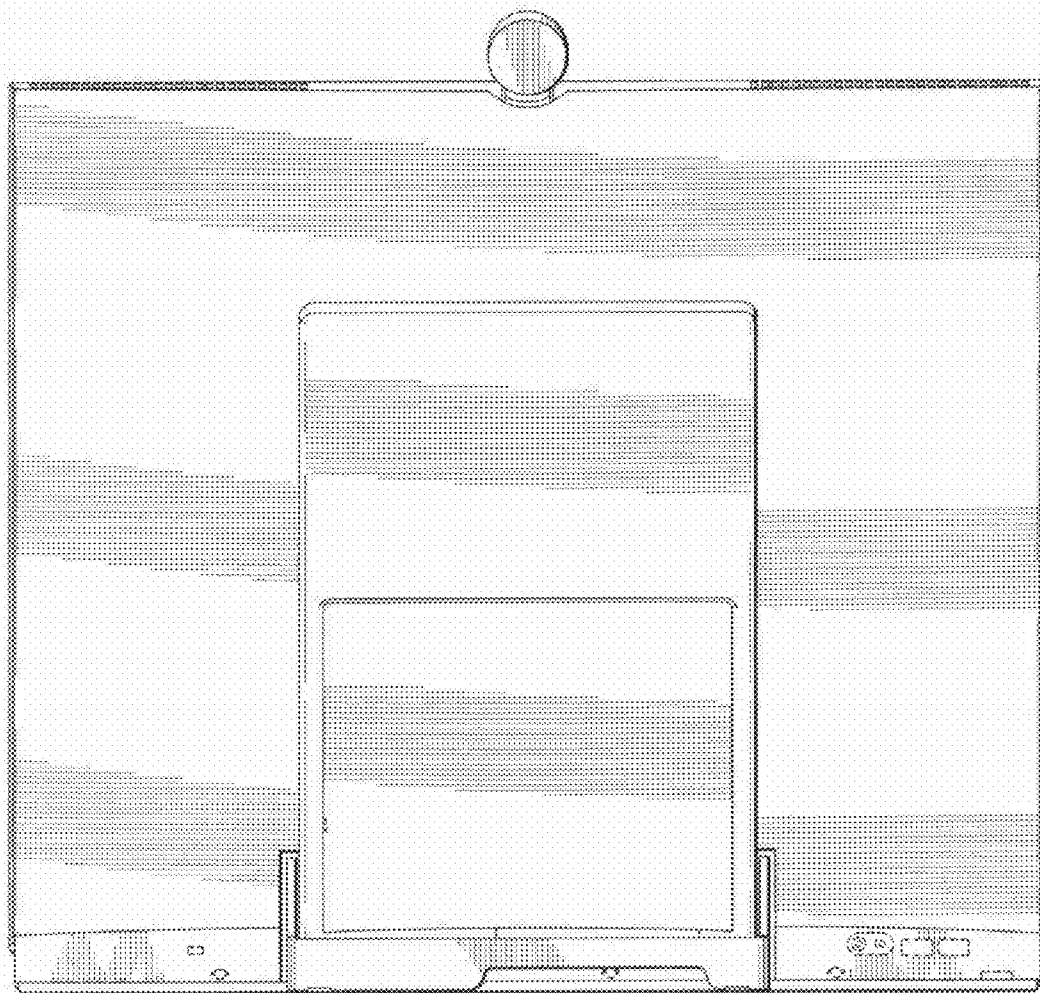
*Fig. 1*



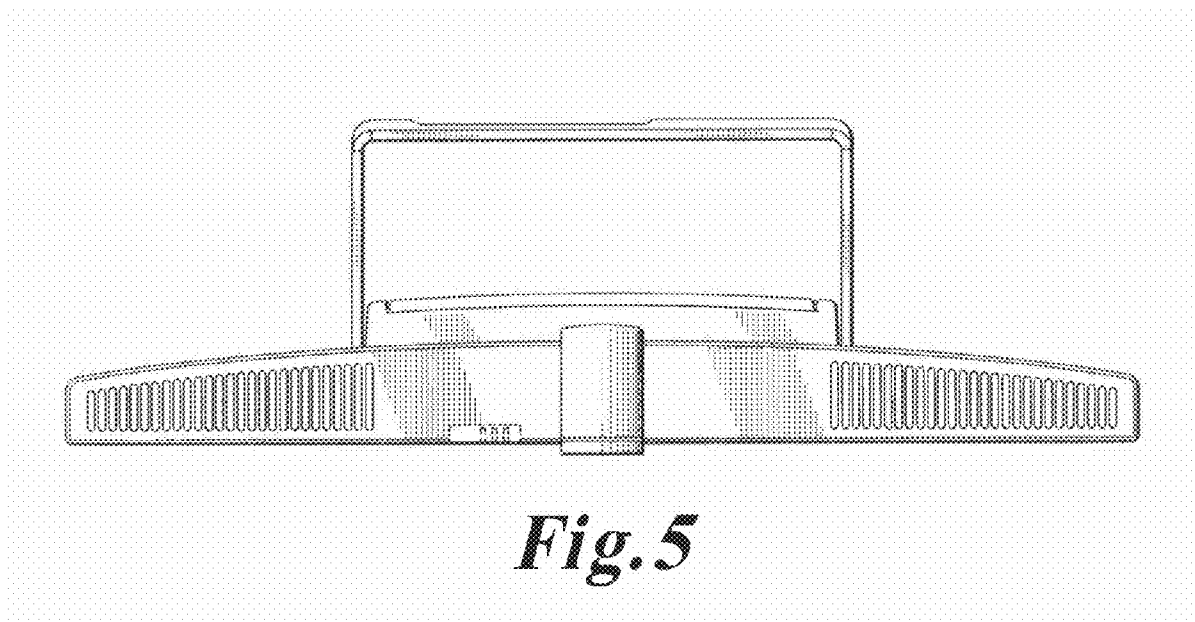
*Fig. 2*



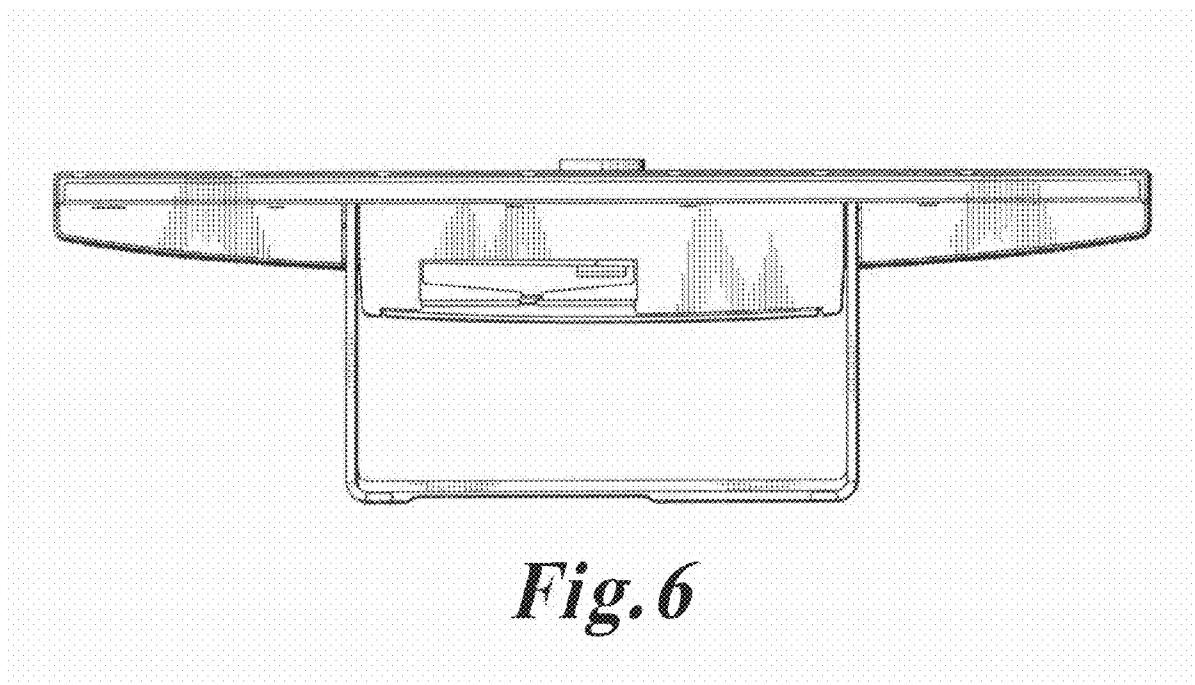
*Fig. 3*

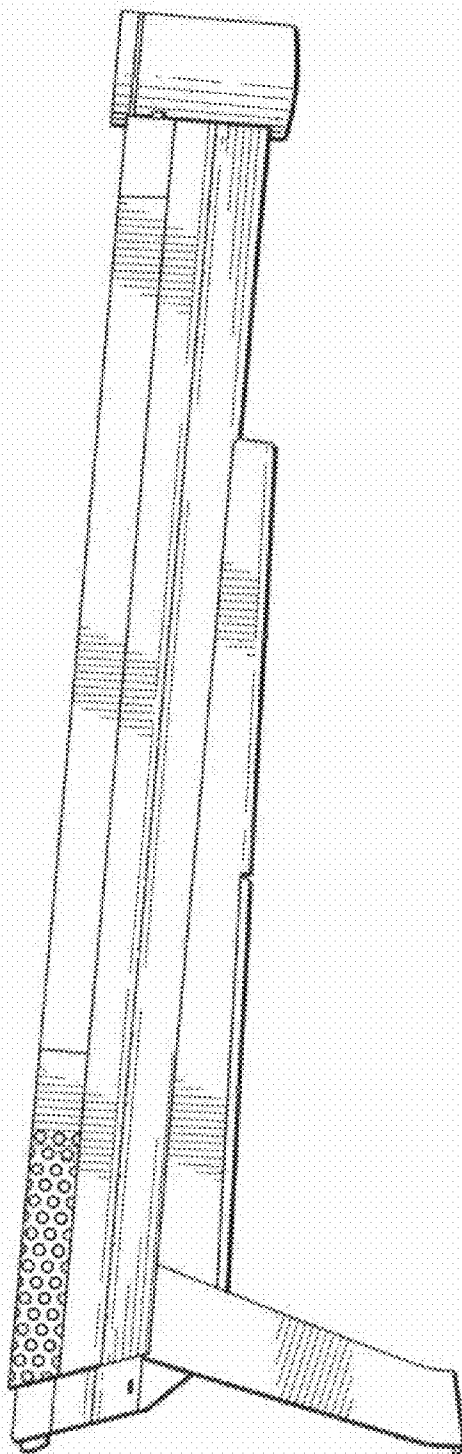


*Fig. 4*



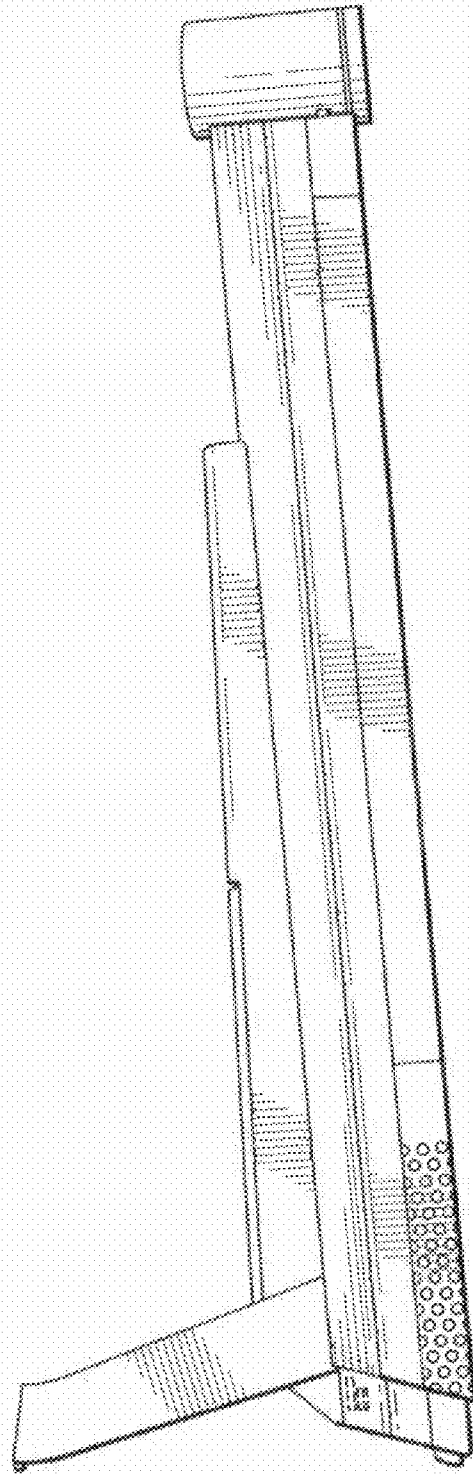
*Fig. 5*





*Fig. 7*





*Fig. 8*