



US0D1033095S

(12) **United States Design Patent**
Tang

(10) **Patent No.:** **US D1,033,095 S**

(45) **Date of Patent:** **** Jul. 2, 2024**

- (54) **TV STAND**
- (71) Applicant: **Shiwen Tang**, Shenzhen (CN)
- (72) Inventor: **Shiwen Tang**, Shenzhen (CN)
- (**) Term: **15 Years**
- (21) Appl. No.: **29/931,451**
- (22) Filed: **Mar. 6, 2024**
- (51) **LOC (14) Cl.** **06-06**
- (52) **U.S. Cl.**
USPC **D6/675.1**
- (58) **Field of Classification Search**
USPC D6/672, 673, 675, 675.1, 512
CPC ... A47B 47/04; A47B 47/047; A47B 47/0091;
A47B 81/06; A47B 81/061; A47B 87/00;
A47B 87/002; A47B 87/008; A47F 3/00;
A47F 5/00; A47F 5/0018; A47F 5/0043;
A47F 7/00
See application file for complete search history.

D920,015 S	5/2021	Ye	
D920,016 S *	5/2021	Ye	D6/675.1
D931,022 S *	9/2021	Lin	D6/675.1
D958,565 S *	7/2022	Robins	D6/675.1
D959,178 S *	8/2022	Lu	D6/675.1
D961,302 S *	8/2022	Robins	D6/675.1
D968,853 S	11/2022	Chen	
D987,338 S *	5/2023	Lu	D6/675
D1,010,367 S *	1/2024	Beckstead	D6/675.3
D1,016,769 S *	3/2024	Jeon	D14/126

* cited by examiner

Primary Examiner — Kelley A Donnelly
(74) *Attorney, Agent, or Firm* — Daniel M. Cohn;
Howard M. Cohn

(57) **CLAIM**

The ornamental design for a TV stand, as shown and described.

DESCRIPTION

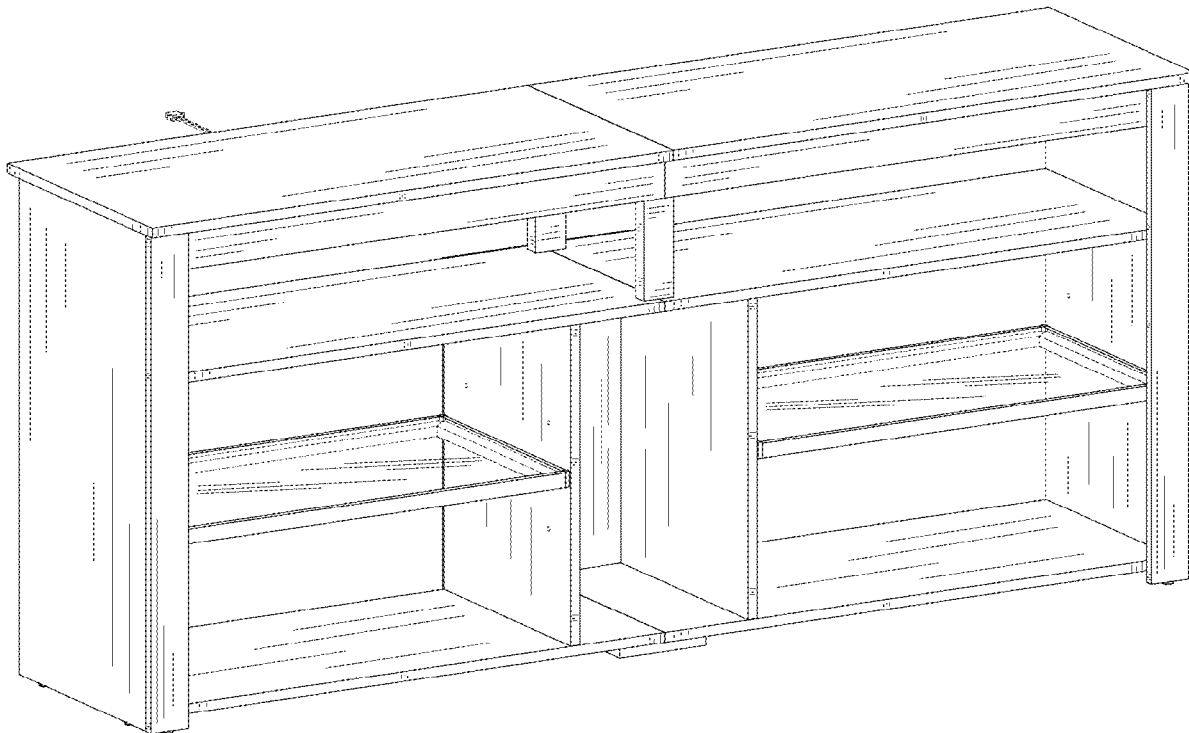
FIG. 1 is a perspective view of a TV stand;
FIG. 2 is a front elevational view thereof;
FIG. 3 is a rear elevational view thereof;
FIG. 4 is a left side elevational view thereof;
FIG. 5 is a right side elevational view thereof;
FIG. 6 is a top plan view thereof; and
FIG. 7 is a bottom plan view thereof.
The broken lines in the drawings depict portions of the TV stand that form no part of the claimed design.

1 Claim, 7 Drawing Sheets

(56) **References Cited**

U.S. PATENT DOCUMENTS

D271,645 S *	12/1983	Tonucci	D6/657
D778,646 S *	2/2017	Davis	D6/699
D793,776 S *	8/2017	Davis	D6/675
D829,026 S *	9/2018	Davis	D6/675
D845,041 S *	4/2019	Davis	D6/675



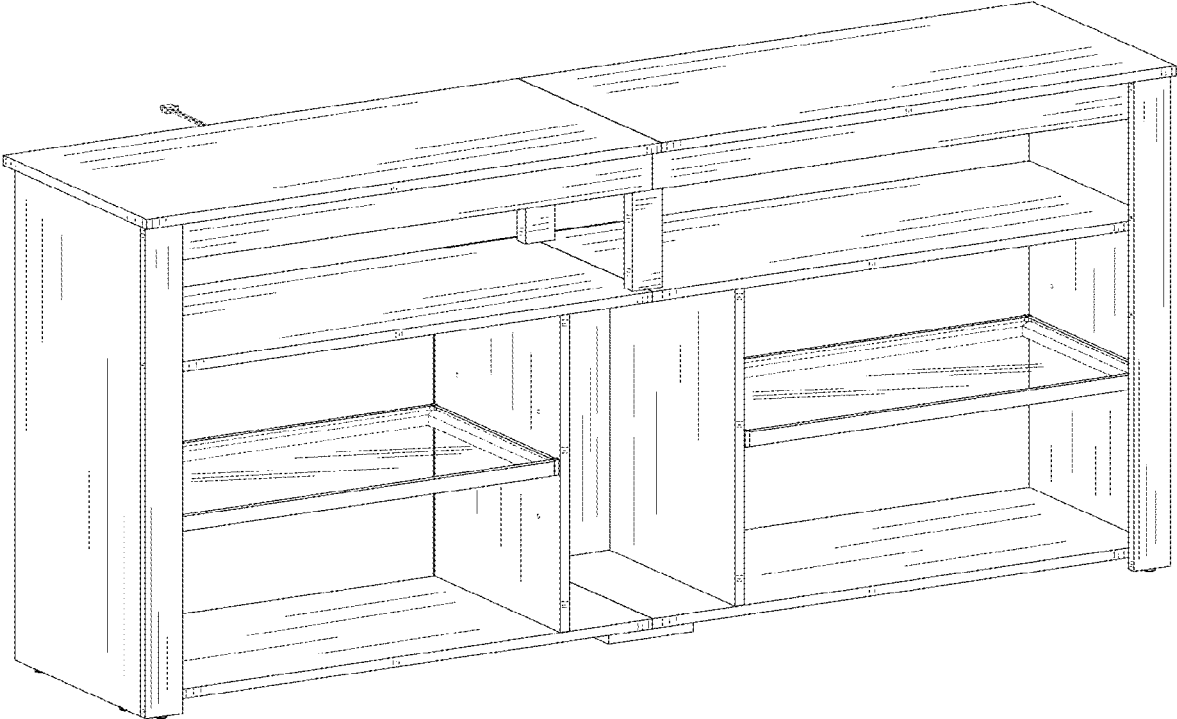


FIG. 1

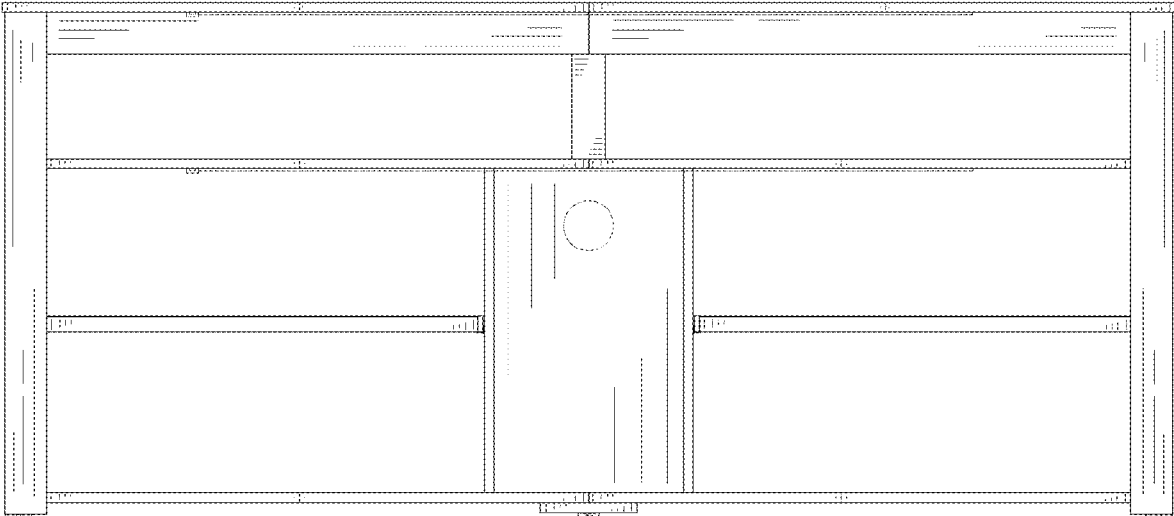


FIG. 2

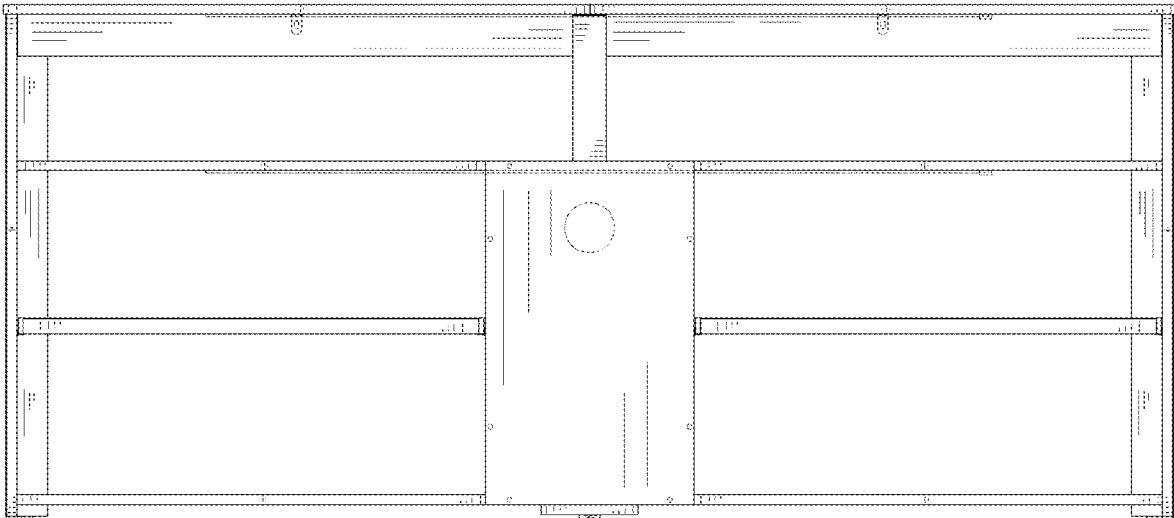


FIG. 3

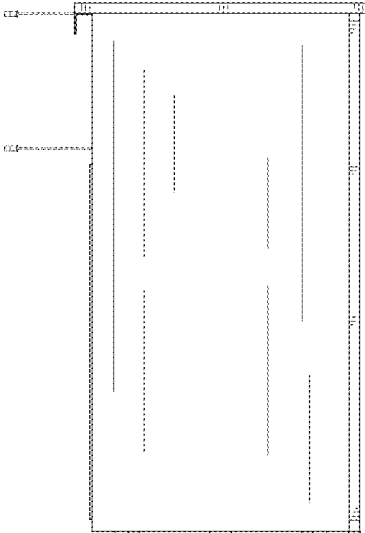


FIG. 4

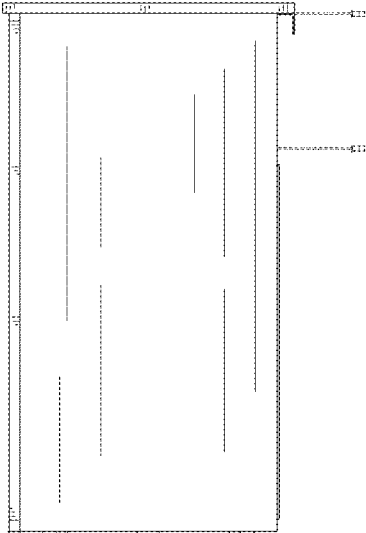


FIG. 5

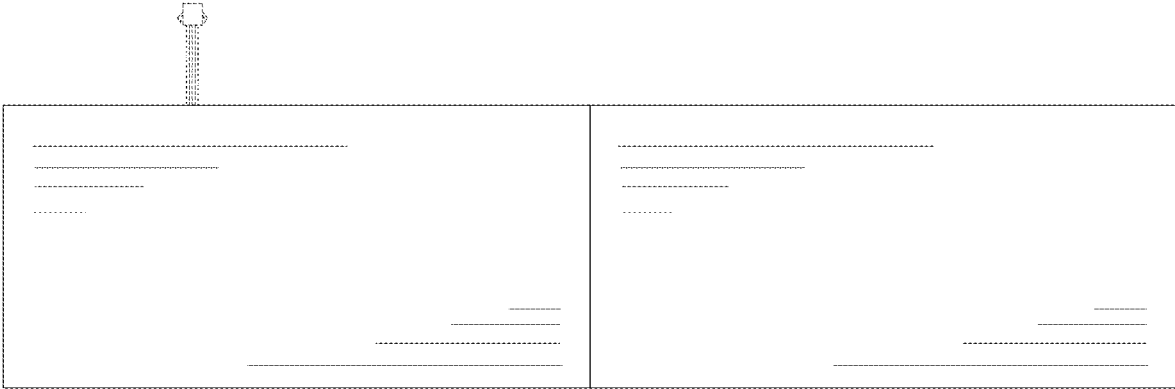


FIG. 6

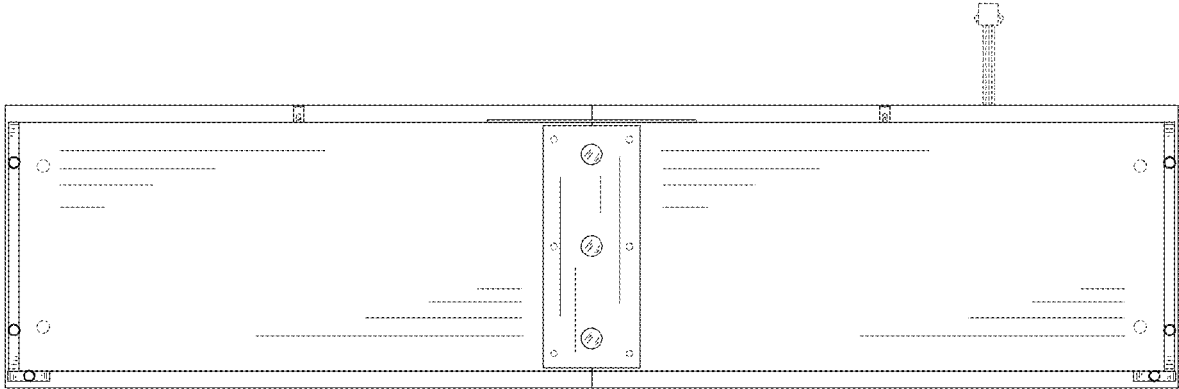


FIG. 7