

(19) World Intellectual Property Organization
International Bureau



(43) International Publication Date
2 December 2004 (02.12.2004)

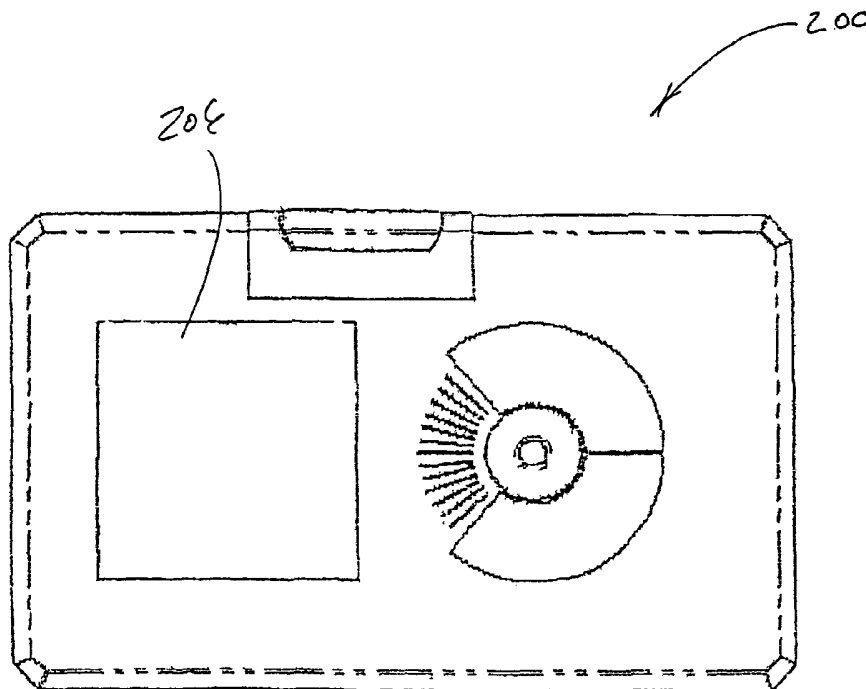
PCT

(10) International Publication Number
WO 2004/103147 A3

- (51) International Patent Classification⁷: **A61B 17/14**
- (21) International Application Number: PCT/US2004/013856
- (22) International Filing Date: 3 May 2004 (03.05.2004)
- (25) Filing Language: English
- (26) Publication Language: English
- (30) Priority Data: 60/467,680 2 May 2003 (02.05.2003) US
- (71) Applicant (for all designated States except US): **PELIKAN TECHNOLOGIES, INC.** [US/US]; 1072 East Meadow Circle, Palo Alto, CA 94303 (US).
- (72) Inventors; and
- (75) Inventors/Applicants (for US only): **LOERWALD, Deiter** [DE/US]; 1072 East Meadow Circle, Palo Alto, CA 94303 (US). **BOECKER, Dirk** [DE/US]; 1652 Castilleja Avenue, Palo Alto, CA 94306 (US). **ALDEN, Don** [US/US]; 1312 Nelson Way, Sunnyvale, CA 94087 (US). **FREEMAN, Dominique, M.** [GB/US]; 4545 La Honda Road, La Honda, CA 94020 (US).
- (74) Agent: **TUNG, Hao, Y.**; Heller Ehrman White & McAuliffe LLC, 275 Middlefield Road, Menlo Park, CA 94025-3506 (US).
- (81) Designated States (unless otherwise indicated, for every kind of national protection available): AE, AG, AL, AM, AT, AU, AZ, BA, BB, BG, BR, BW, BY, BZ, CA, CH, CN, CO, CR, CU, CZ, DE, DK, DM, DZ, EC, EE, EG, ES, FI, GB, GD, GE, GH, GM, HR, HU, ID, IL, IN, IS, JP, KE, KG, KP, KR, KZ, LC, LK, LR, LS, LT, LU, LV, MA, MD, MG, MK, MN, MW, MX, MZ, NA, NI, NO, NZ, OM, PG, PH, PL, PT, RO, RU, SC, SD, SE, SG, SK, SL, SY, TJ, TM, TN, TR, TT, TZ, UA, UG, US, UZ, VC, VN, YU, ZA, ZM, ZW.
- (84) Designated States (unless otherwise indicated, for every kind of regional protection available): ARIPO (BW, GH, GM, KE, LS, MW, MZ, NA, SD, SL, SZ, TZ, UG, ZM, ZW), Eurasian (AM, AZ, BY, KG, KZ, MD, RU, TJ, TM), European (AT, BE, BG, CH, CY, CZ, DE, DK, EE, ES, FI, FR, GB, GR, HU, IE, IT, LU, MC, NL, PL, PT, RO, SE, SI, SK, TR), OAPI (BF, BJ, CF, CG, CI, CM, GA, GN, GQ, GW, ML, MR, NE, SN, TD, TG).

[Continued on next page]

(54) Title: METHOD AND APPARATUS FOR A TISSUE PENETRATING DEVICE USER INTERFACE



(57) Abstract: A tissue penetrating system is provided. The system may include a housing, a penetrating members positioned in the housing, and a visual display on the housing, the visual display having at least one visual indicator positioned next to a corresponding marking on the housing. In one embodiment, the visual display may provide a variety of information about the function and performance of the penetrating member.

WO 2004/103147 A3



Published:

— *with international search report*

(88) Date of publication of the international search report:

24 February 2005

For two-letter codes and other abbreviations, refer to the "Guidance Notes on Codes and Abbreviations" appearing at the beginning of each regular issue of the PCT Gazette.

INTERNATIONAL SEARCH REPORT

International application No.

PCT/US04/13856

A. CLASSIFICATION OF SUBJECT MATTER

IPC(7) : A61B 17/14
 US CL : 606/181-184

According to International Patent Classification (IPC) or to both national classification and IPC

B. FIELDS SEARCHED

Minimum documentation searched (classification system followed by classification symbols)
 U.S. : 606/181-184

Documentation searched other than minimum documentation to the extent that such documents are included in the fields searched

Electronic data base consulted during the international search (name of data base and, where practicable, search terms used)

C. DOCUMENTS CONSIDERED TO BE RELEVANT

Category *	Citation of document, with indication, where appropriate, of the relevant passages	Relevant to claim No.
X	US 6,352,514 B1 (DOUGHLAS et al) 05 March 2002 (05.03.2002), See figures 1-6.	1-20

Further documents are listed in the continuation of Box C.

See patent family annex.

* Special categories of cited documents:

- "A" document defining the general state of the art which is not considered to be of particular relevance
- "E" earlier application or patent published on or after the international filing date
- "L" document which may throw doubts on priority claim(s) or which is cited to establish the publication date of another citation or other special reason (as specified)
- "O" document referring to an oral disclosure, use, exhibition or other means
- "P" document published prior to the international filing date but later than the priority date claimed

- "T" later document published after the international filing date or priority date and not in conflict with the application but cited to understand the principle or theory underlying the invention
- "X" document of particular relevance; the claimed invention cannot be considered novel or cannot be considered to involve an inventive step when the document is taken alone
- "Y" document of particular relevance; the claimed invention cannot be considered to involve an inventive step when the document is combined with one or more other such documents, such combination being obvious to a person skilled in the art
- "&" document member of the same patent family

Date of the actual completion of the international search

26 October 2004 (26.10.2004)

Date of mailing of the international search report

22 NOV 2004

Name and mailing address of the ISA/US

Mail Stop PCT, Attn: ISA/US
 Commissioner for Patents
 P.O. Box 1450
 Alexandria, Virginia 22313-1450

Facsimile No. (703) 305-3230

Authorized officer

Kevin T. Truong

Telephone No. 703-308-0858

Sheila H. Veney
Sheila H. Veney
Patent Specialist
Tech. Center 3700