



US00D612596S

(12) **United States Design Patent**  
**Dickenson**

(10) **Patent No.:** **US D612,596 S**

(45) **Date of Patent:** **\*\* Mar. 30, 2010**

(54) **SOFT BAG FOR WAIST ATTACHMENT**

(57) **CLAIM**

(76) Inventor: **Barbara Dickenson**, 198 Primrose La.,  
Flushing, MI (US) 48433

I claim the ornamental design for a soft bag for waist attachment, as shown and described.

(\*\*) Term: **14 Years**

**DESCRIPTION**

(21) Appl. No.: **29/339,547**

FIG. 1 is a perspective view of a soft bag for waist attachment, illustrated in a closed position and in-use as worn by a person, showing my new design;

(22) Filed: **Jul. 1, 2009**

FIG. 2 is a perspective view thereof;

(51) **LOC (9) Cl.** ..... **03-01**

FIG. 3 is a front elevational view thereof;

(52) **U.S. Cl.** ..... **D3/226**

FIG. 4 is a right-side elevational view thereof, the left-side elevational view being a mirror image thereof;

(58) **Field of Classification Search** .....  
D3/224, 215-216, 232-243, 221; 224/240-241,  
224/236, 625, 664-666, 653; 2/169-170;  
D2/612

FIG. 5 is a top plan view thereof;

See application file for complete search history.

FIG. 6 is a bottom plan view thereof;

(56) **References Cited**

FIG. 7 is a rear elevational view thereof; and,

**U.S. PATENT DOCUMENTS**

FIG. 8 is a front elevational view thereof, illustrated in an open position.

D2,841 S *	11/1867	Seldis	.....	D2/612
D395,751 S *	7/1998	Dominique	.....	D3/233
D423,771 S *	5/2000	Gomez et al.	.....	D3/232
D447,865 S *	9/2001	Hillman	.....	D3/226

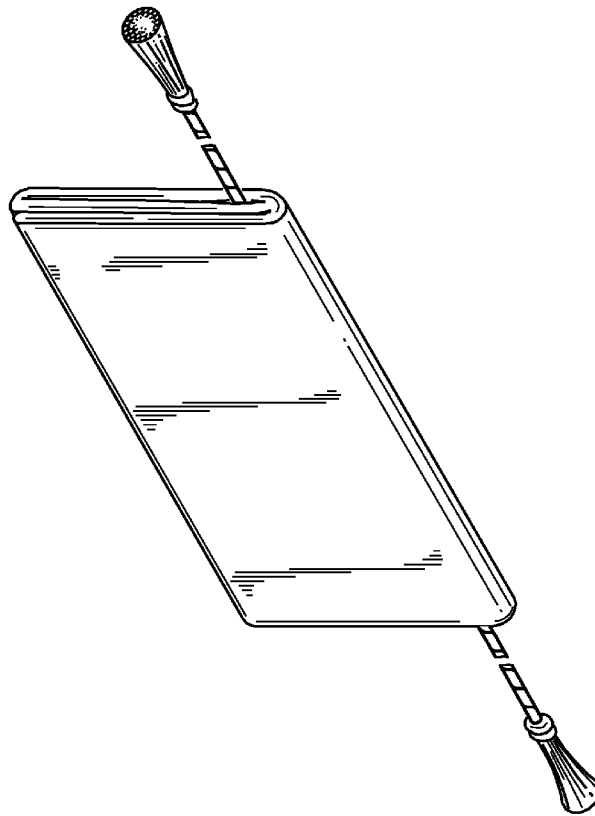
The strap is shown broken away in FIGS. 2-3 and 5-7 to indicate indeterminate length.

\* cited by examiner

The broken lines showing a woman in FIG. 1 are included for the purpose of illustrating the invention in use, and form no part of the claimed design. The broken lines in FIG. 8 represent stitching.

*Primary Examiner*—Catherine R Oliver  
(74) *Attorney, Agent, or Firm*—QuickPatents, Inc.; Kevin Prince

**1 Claim, 5 Drawing Sheets**



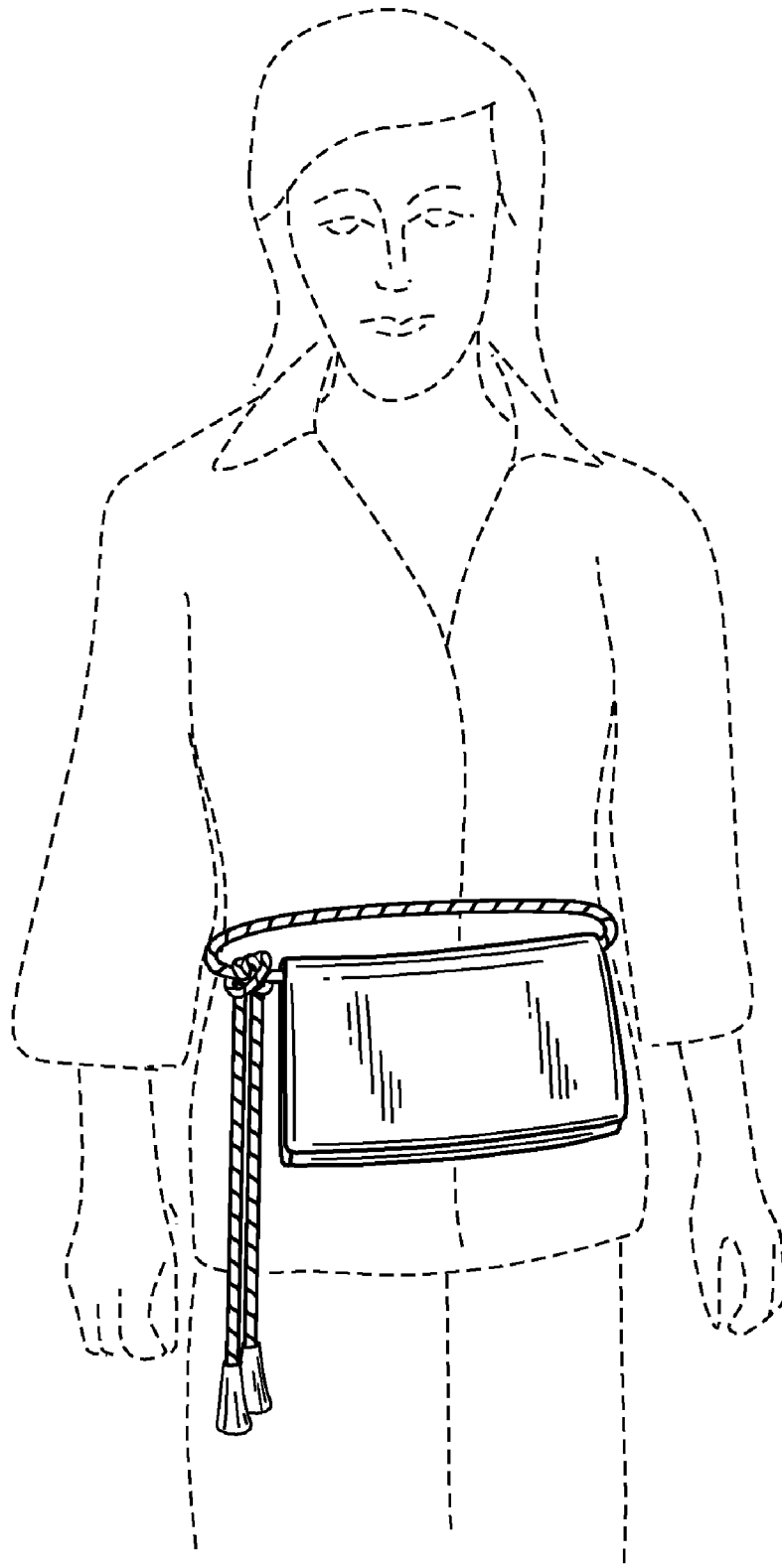


FIG. 1

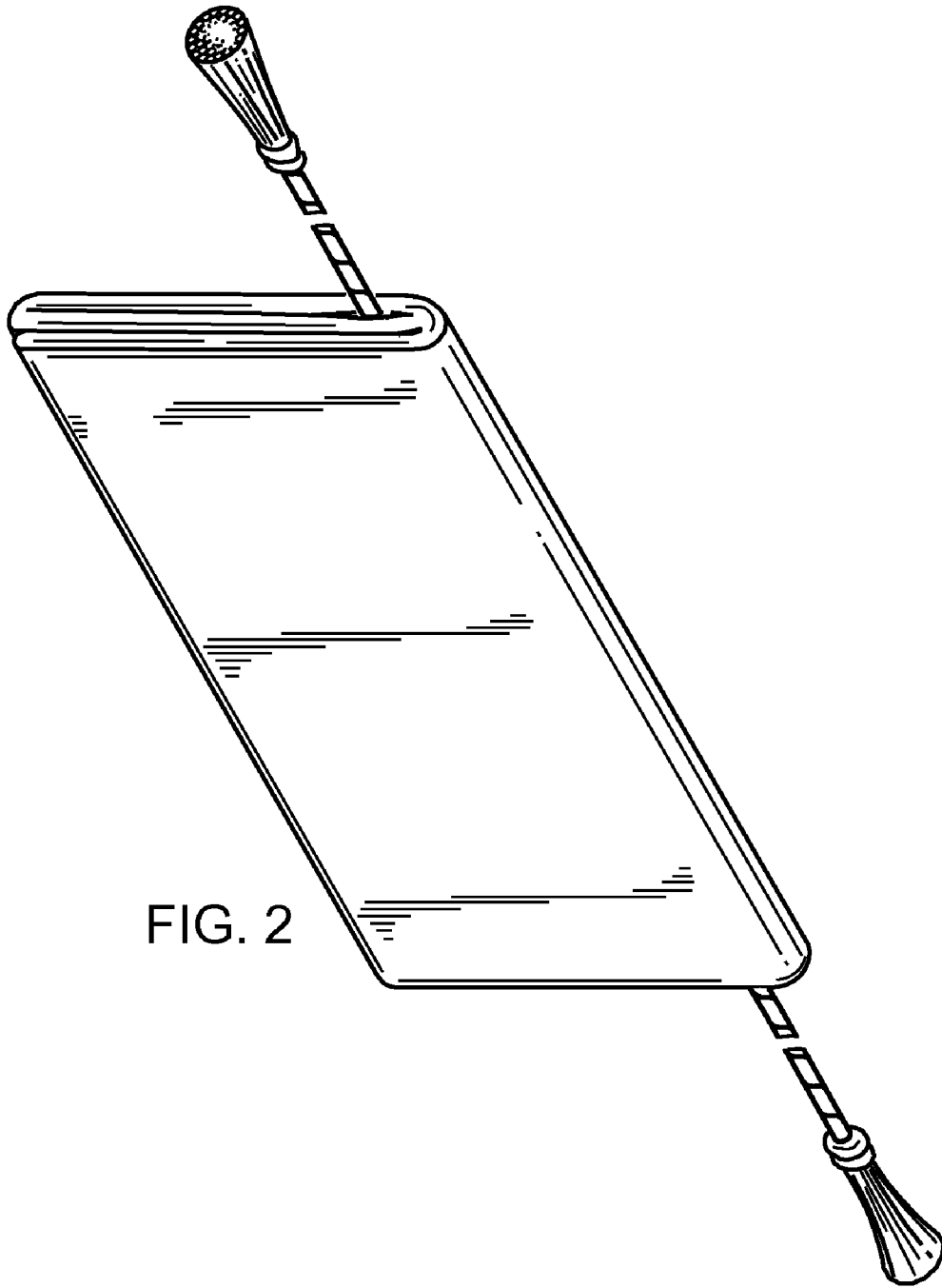


FIG. 2

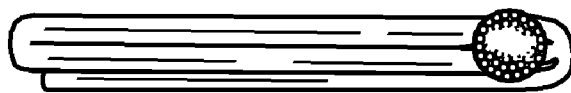


FIG. 4



FIG. 6

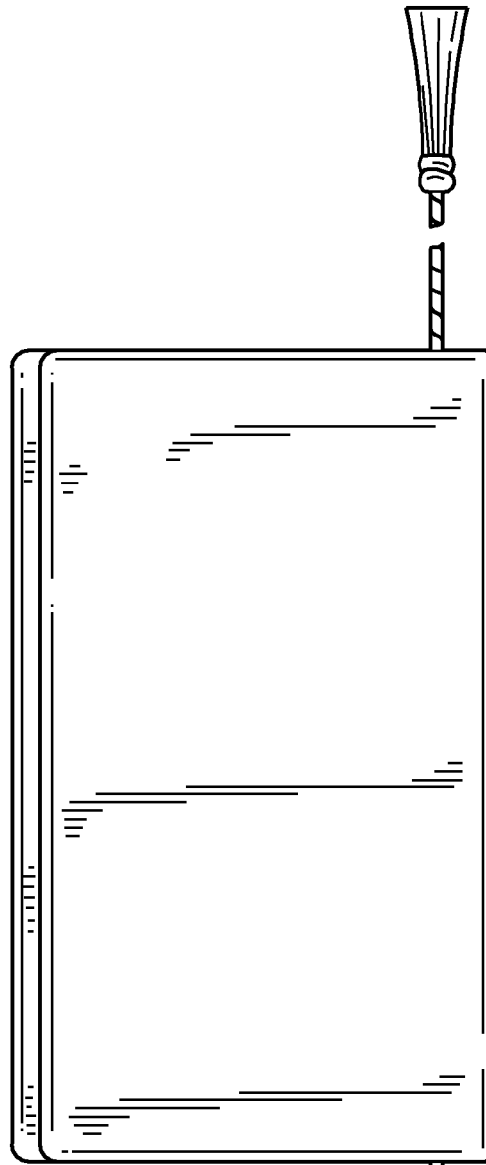


FIG. 3

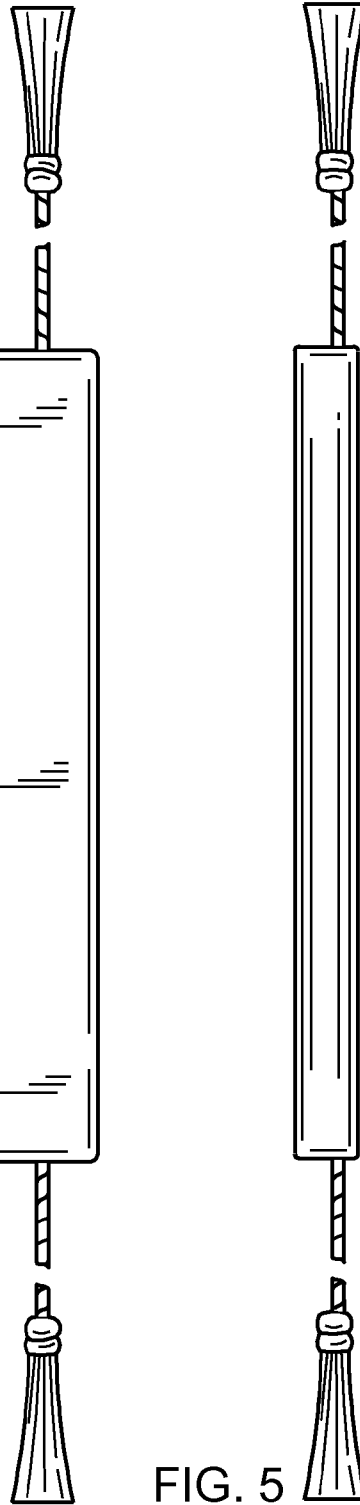


FIG. 5

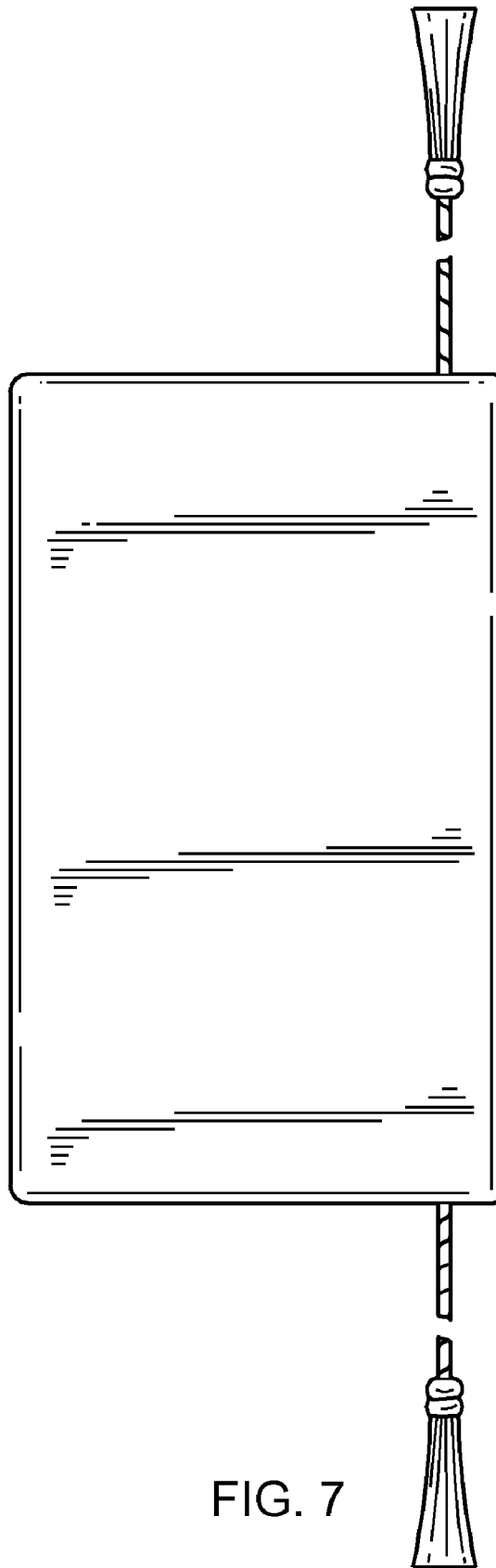


FIG. 7

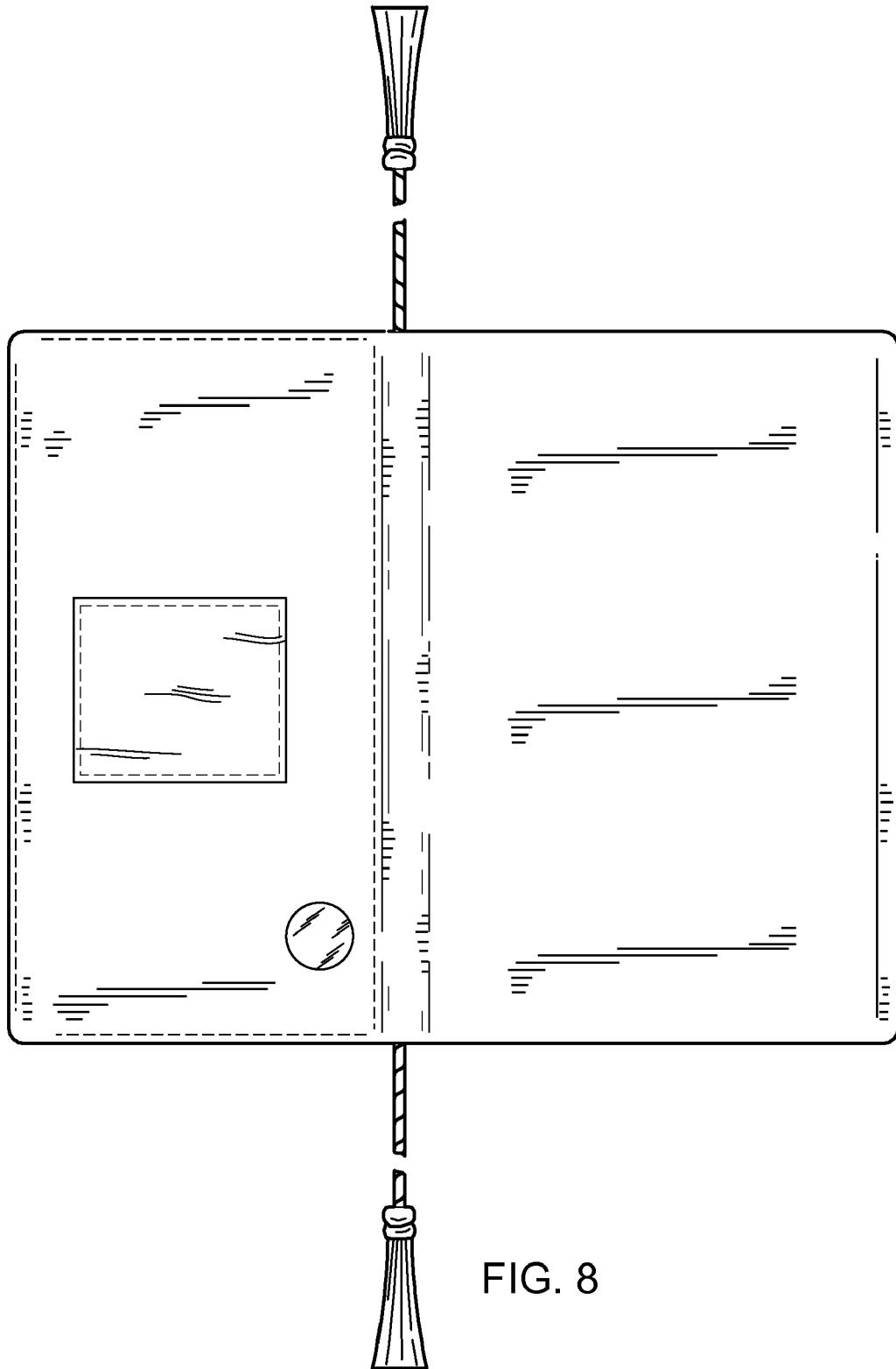


FIG. 8