



US00D734563S

(12) **United States Design Patent**
Daniel

(10) **Patent No.:** **US D734,563 S**

(45) **Date of Patent:** **** Jul. 14, 2015**

(54) **WRISTBAND WITH A DISPLAY SCREEN**

(71) Applicant: **Isaac S. Daniel**, Miramar, FL (US)

(72) Inventor: **Isaac S. Daniel**, Miramar, FL (US)

(**) Term: **14 Years**

(21) Appl. No.: **29/480,089**

(22) Filed: **Jan. 23, 2014**

Related U.S. Application Data

(63) Continuation-in-part of application No. 29/436,633, filed on Nov. 7, 2012, now Pat. No. Des. 701,001.

(51) **LOC (10) Cl.** **29-02**

(52) **U.S. Cl.**

USPC **D29/120.1**

(58) **Field of Classification Search**

USPC D29/100, 101.1, 101.2, 101.3, 101.4, 120.1, 120.2, 121.1, 121.2, 122, D2/610, 612, 901; D24/190; 2/16, 2/20-24, 62, 267, 455, 461, 463, 910, 2/911, 170; 602/3, 5, 6, 16, 23, 26; D3/215, 218, 219, 221, 226, 228; 224/219, 222, 267, 269

CPC G06F 1/163; A45F 2005/008

See application file for complete search history.

(56) **References Cited**

U.S. PATENT DOCUMENTS

5,386,933 A * 2/1995 Greene et al. 224/219
5,400,936 A * 3/1995 Jones et al. 224/222
5,454,185 A * 10/1995 Love 43/57.1
5,657,201 A * 8/1997 Kochis 361/679.41
6,530,509 B1 * 3/2003 Davis 224/219

6,696,986 B1 * 2/2004 Harrison et al. 341/22
D512,832 S * 12/2005 Charles, Jr. D3/215
D537,623 S * 3/2007 Dennis et al. D3/218
7,614,434 B2 * 11/2009 DeMichele 150/145
D622,058 S * 8/2010 Wagner, II D3/226
8,025,632 B2 * 9/2011 Einarsson 602/23
D663,950 S * 7/2012 Willows et al. D3/226
D667,172 S * 9/2012 Baum et al. D29/120.1

* cited by examiner

Primary Examiner — Randall Gholson

(74) *Attorney, Agent, or Firm* — Carol N. Green Kaul, Esq.

(57) **CLAIM**

The ornamental design for a wristband with a display screen, as shown and described.

DESCRIPTION

FIG. 1 is a front perspective view of the invention.

FIG. 2 is a rear perspective view of the invention.

FIG. 3 is a top plan view of the invention.

FIG. 4 is a bottom plan view of the invention.

FIG. 5 is a front elevational view of the invention.

FIG. 6 is a rear elevational view of the invention.

FIG. 7 is a right side view of the invention.

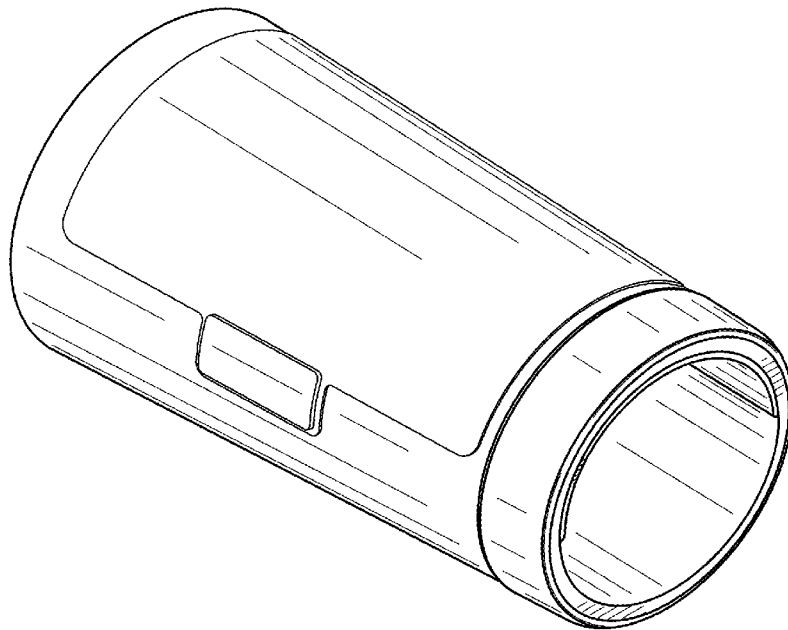
FIG. 8 is a left side view the invention.

FIG. 9 is a top perspective view of the wristband with the display cover partially opened and the paper partially inserted beneath the display screen; and,

FIG. 10 shows the invention in use.

The broken lines showing the paper in FIG. 9 form no part of the claimed design and the broken lines in FIG. 10 depict a wearer of the invention also forming no part of the claimed design.

1 Claim, 6 Drawing Sheets



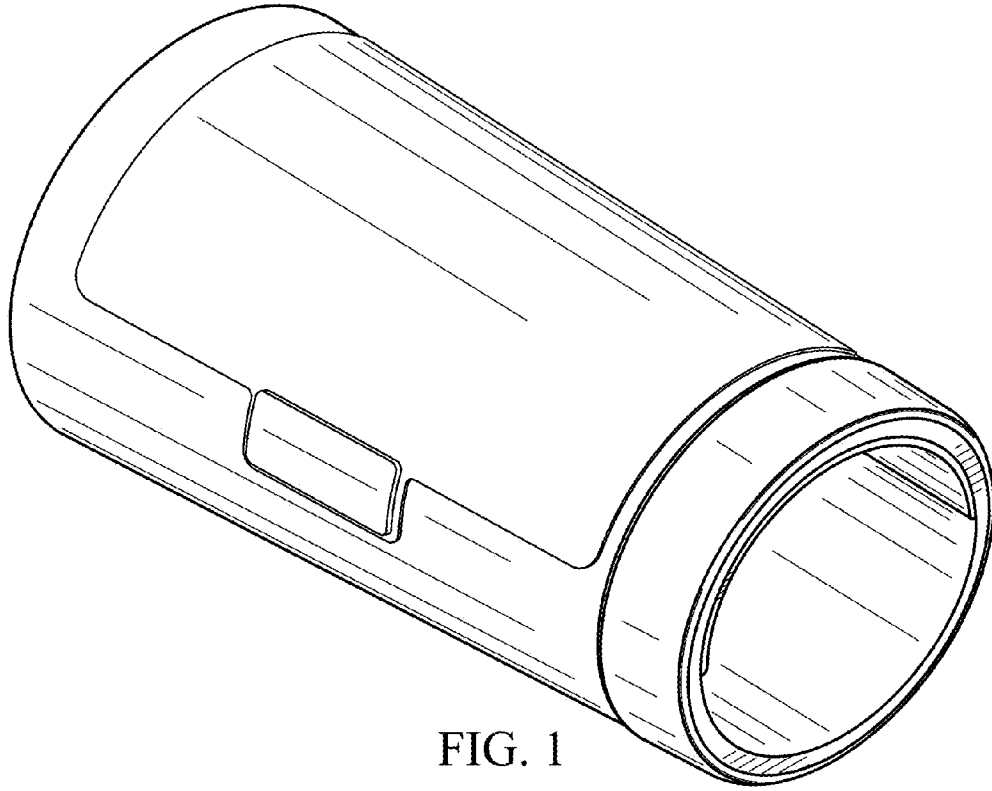


FIG. 1

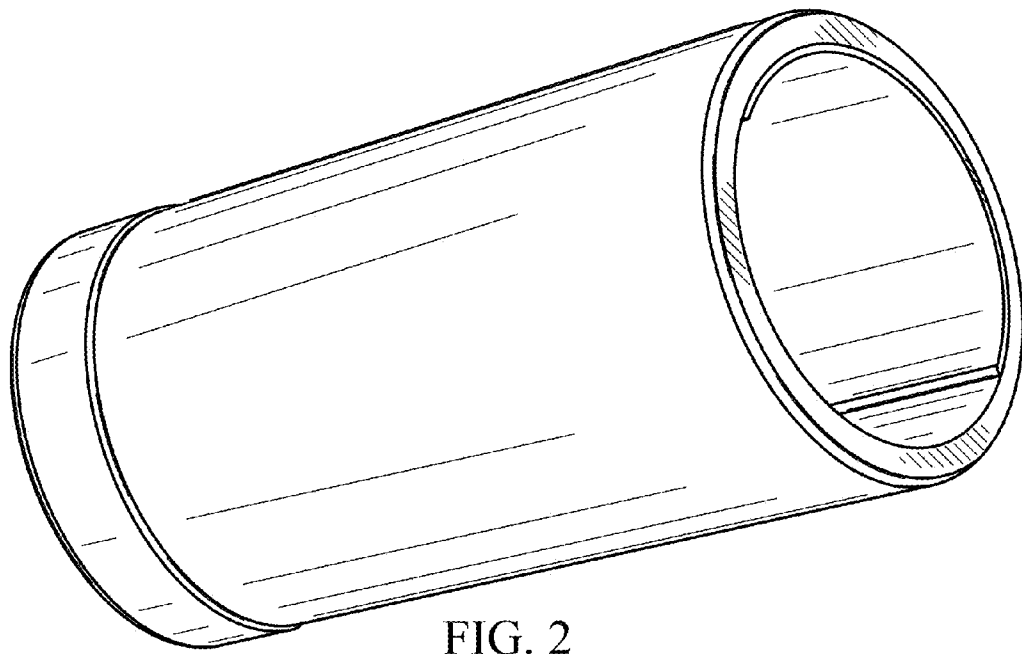


FIG. 2

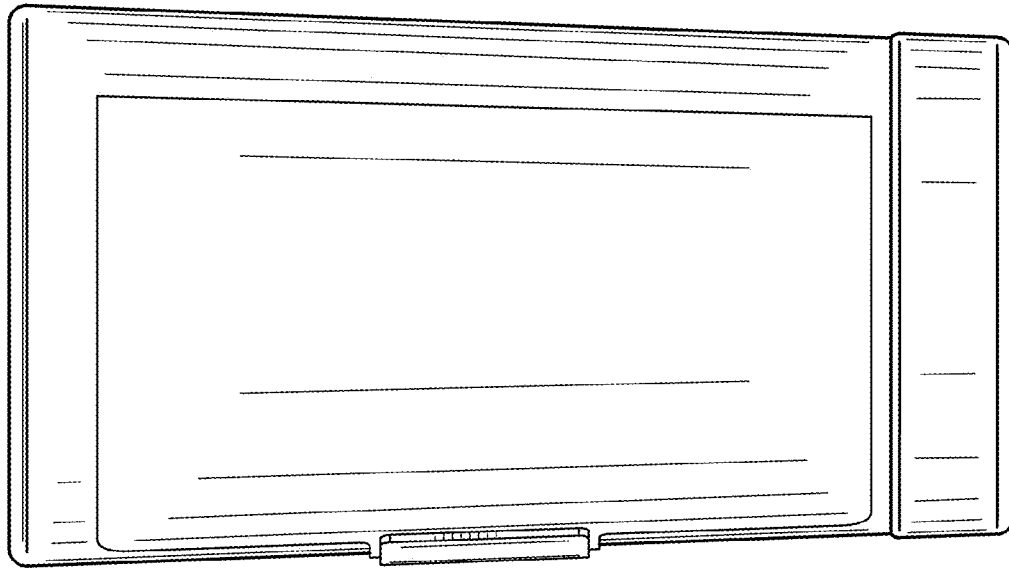


FIG. 3

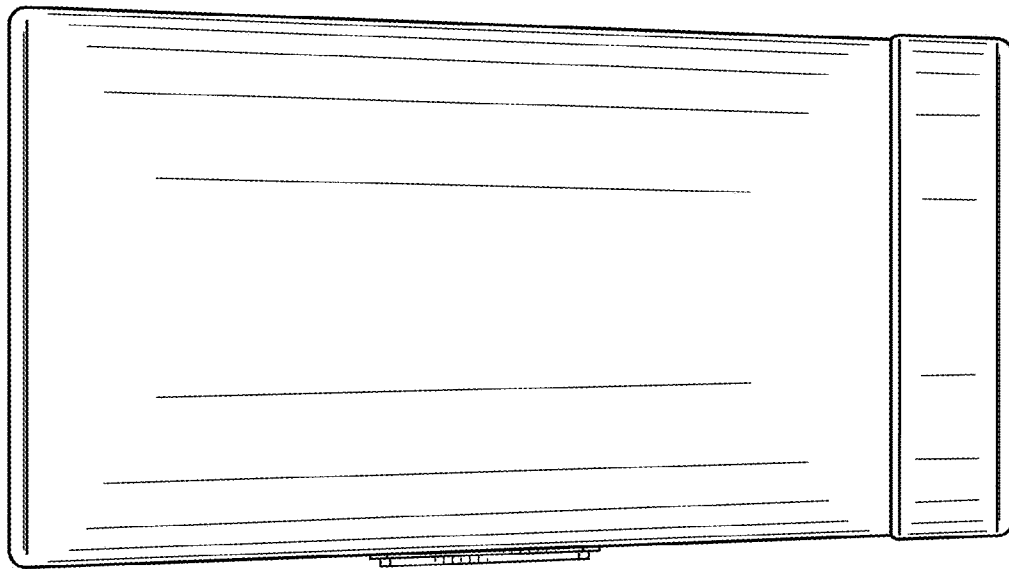


FIG. 4

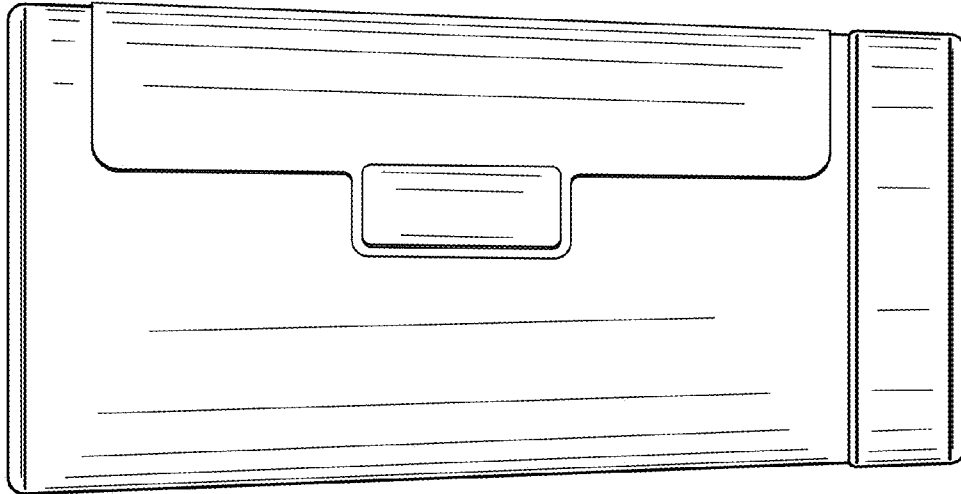


FIG. 5

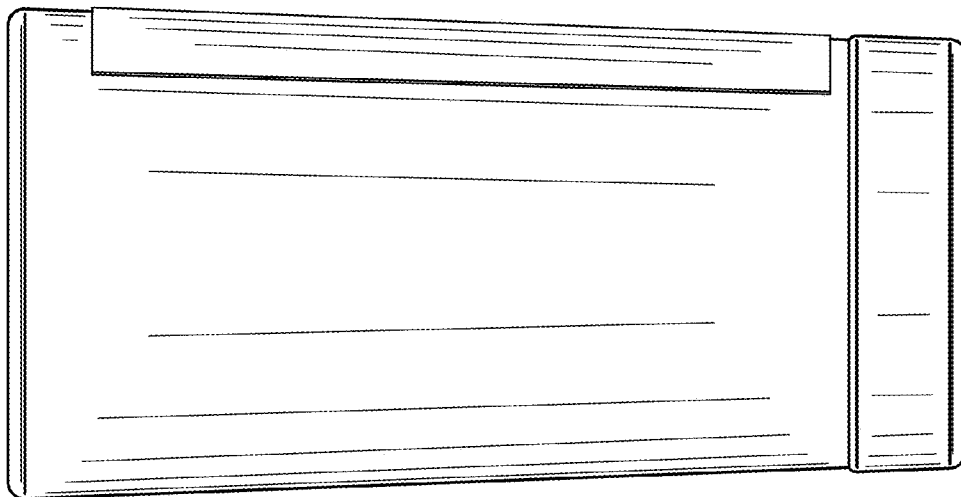


FIG. 6

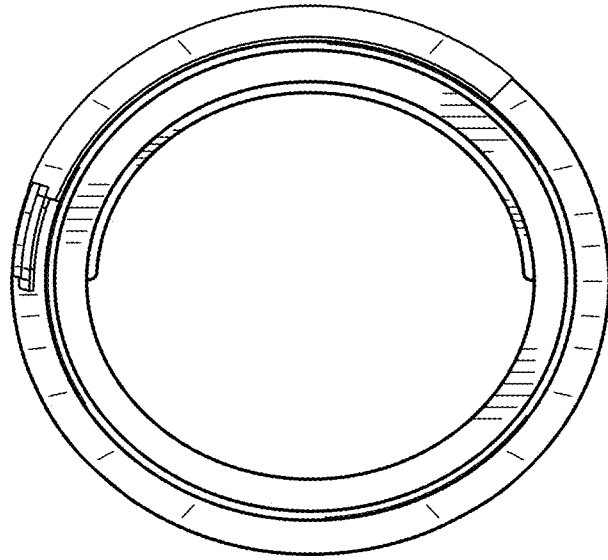


FIG. 7

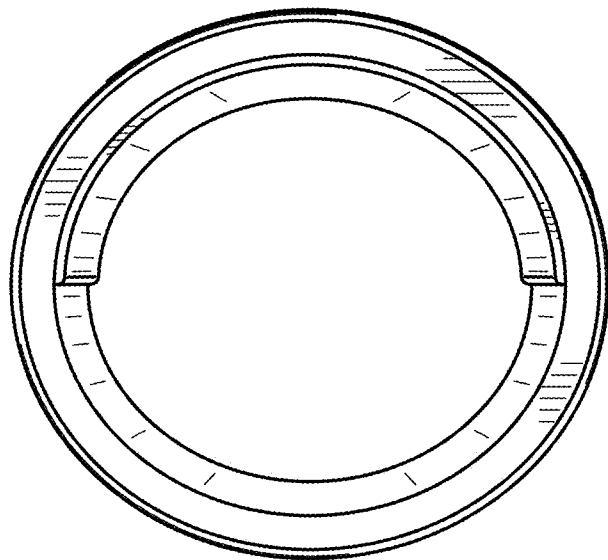


FIG. 8

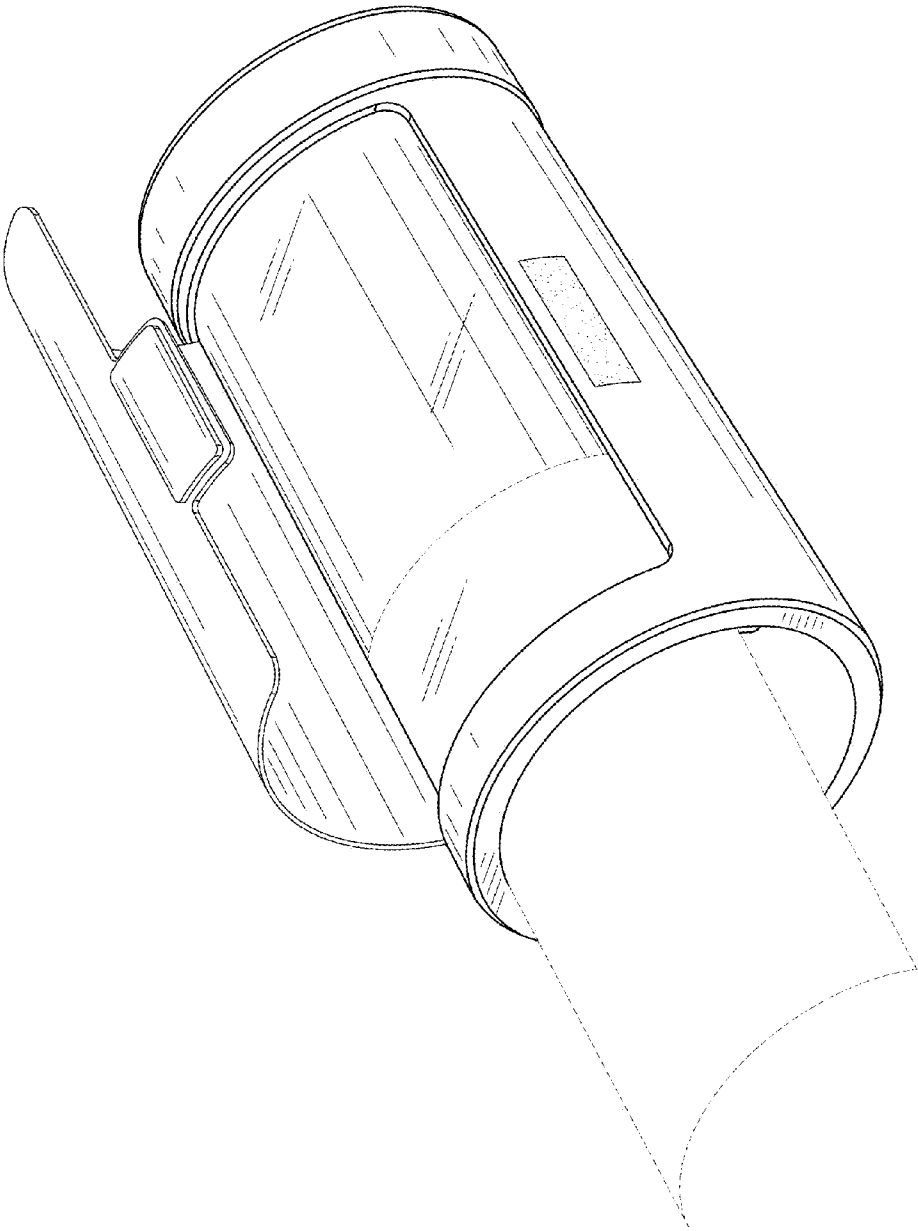


FIG. 9

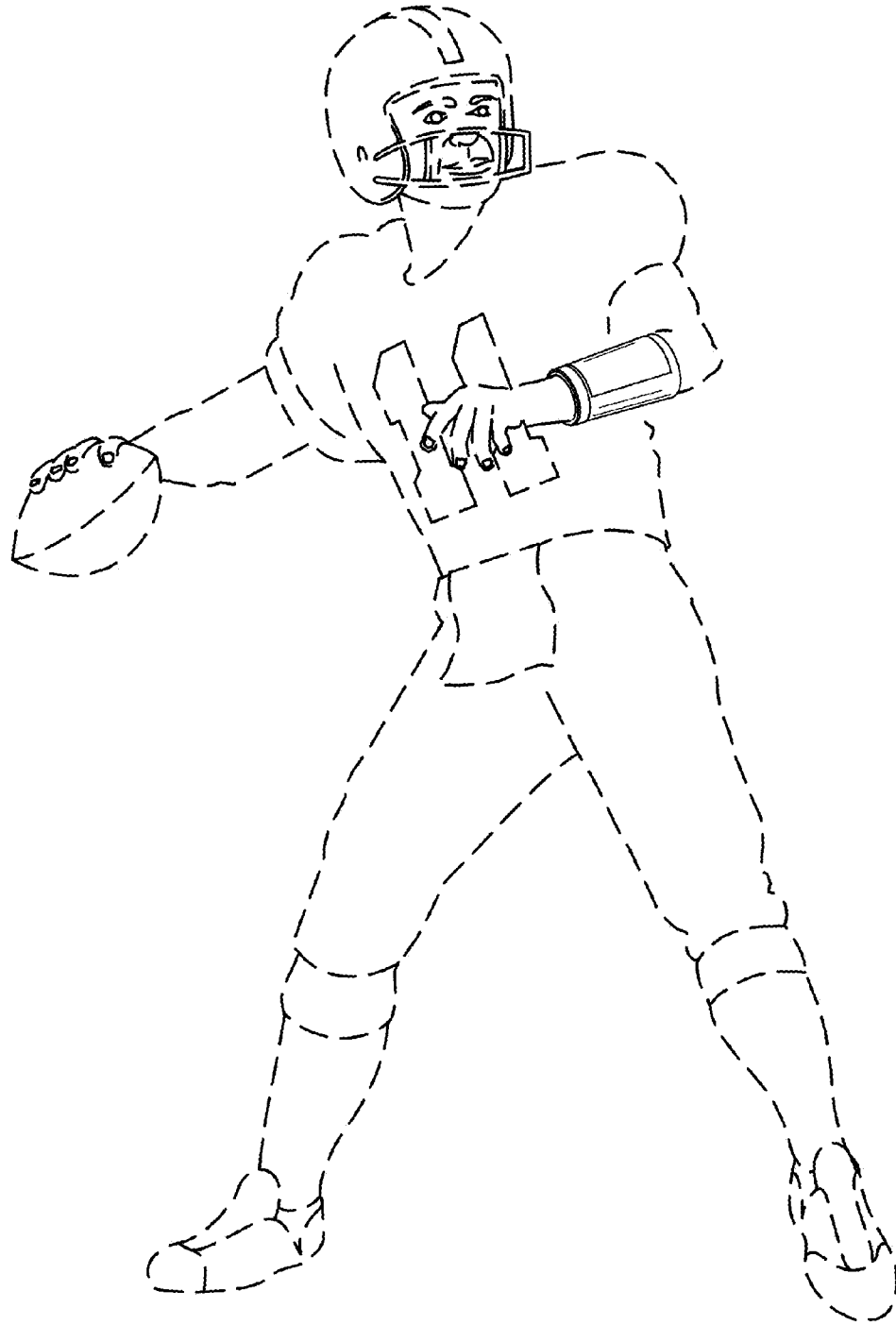


FIG. 10